

ZEPPEY SINGLE SIDED OUTDOOR BANNER STAND

OUTDOOR BANNERS

PRODUCT CODE: ZPY1



#2 Grommets

On Frame

OnGraphic



PRODUCT DESCRIPTION

The Zeppy Outdoor Banner Stand is the outdoor banner display solution. Stability is maintained with a molded plastic base that can be filled with water for extra weight. The Zeppy is adjustable and can display banners ranging in sizes from 24" W x 63"H to 31.5" W x 71" H. Custom UV printed banners are produced on 13oz scrim vinyl, with a 1" double stitched hem top and bottom to reinforce the #2 grommets in each corner. Available in single sided or double sided banner display. The double sided option displays 2 single sided banners back to back.

DISPLAY DIMENSIONS	Varies depending on graphic size	
GRAPHIC SIZE RANGE	24"W x 63"H to 31.5"W x 71"H	
STANDARD GRAPHIC SIZES AVAILABLE	24"W x 63"H	28"W x 67"H
	24"W x 71"H	29"W x 68"H
	25"W x 69"H	30"W x 69"H
	26"W x 68"H	31.5"W x 63"H
	27"W x 67"H	31.5"W x 71"H

GRAPHIC MATERIAL

13oz Scrim Vinyl (INV-VIN-SCRIM)

GRAPHIC FINISHING

1" Double hem with white thread on top and bottom with brass #2 grommets in all 4 corners

DISPLAY CONSTRUCTION

Aluminum frame with plastic components and molded plastic water fillable base

SHIPPING WEIGHTS & DIMENSIONS

Shipping Weight	7 lbs (Graphic Package) 6 lbs (Hardware Only) 1 lbs (Graphic Only)
Shipping Dimensions	36"L x 4"W x 4"H (GP/Graphics & Pole) 20"L x 15"W x 9.5"H (GP/Base) 30.75"L x 3.5"W x 2.5"H (HO/Poles) 20"L x 15"W x 9.5"H (HO/Base) 24" or 36" L x 4"W x 4"H (Graphic Only)

GRAPHIC TURN AROUND TIME

2 business days after proof approval for up to 10

ZEPHY SINGLE SIDED OUTDOOR BANNER STAND

OUTDOOR BANNERS
PRODUCT CODE: ZPY1

SINGLE
SIDED

ADJUSTABLE

OUTDOOR
USE

#2 Grommets

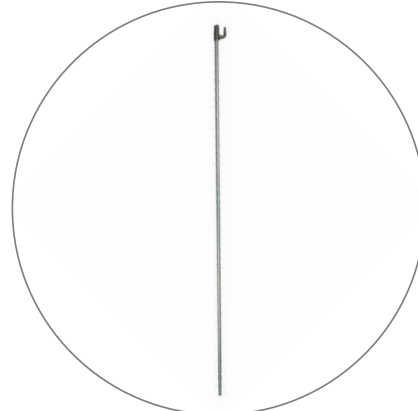
1
YEAR
On Frame

1
YEAR
OnGraphic

HARDWARE ONLY PARTS LIST



(qty 1)
Water Base



(qty 4)
Graphic Arm Poles



(qty 1)
Support Pole



(qty 1)
Support Pole Connector

ZEPHY SINGLE SIDED OUTDOOR BANNER STAND

OUTDOOR BANNERS

PRODUCT CODE: ZPY1

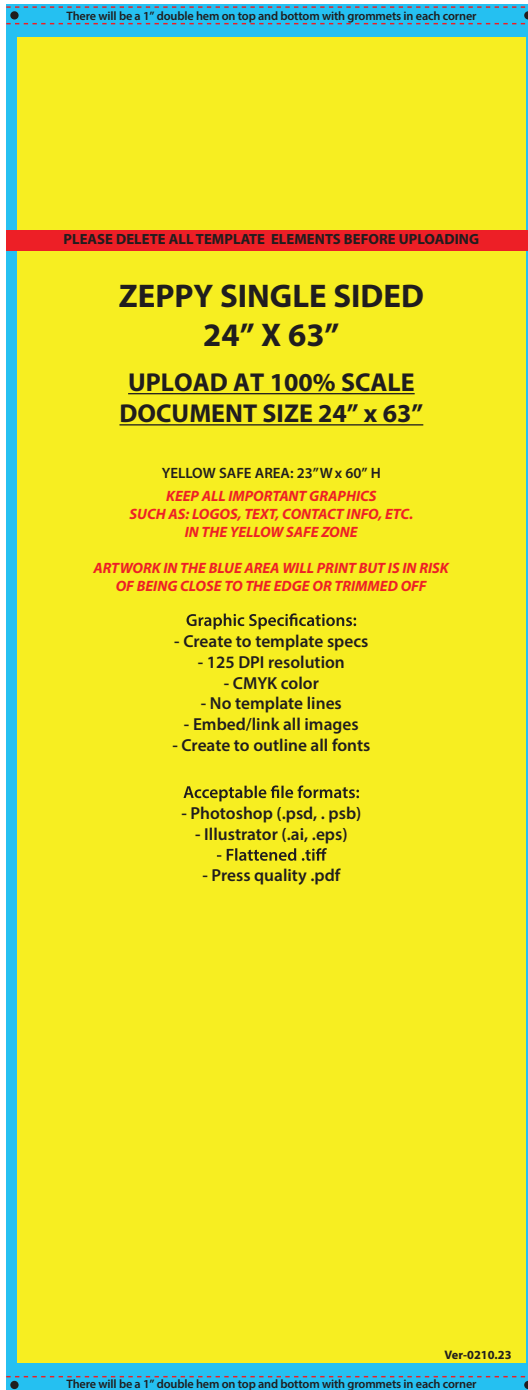


#2 Grommets

On Frame

OnGraphic

TEMPLATE



← Red dotted lines represent the sew lines on the finished banner. Banner is hemmed with white thread only. The black dots represent where the grommets will be placed in each corner.

ZEPHY SINGLE SIDED OUTDOOR BANNER STAND

OUTDOOR BANNERS
PRODUCT CODE: ZPY1

SINGLE
SIDED

ADJUSTABLE

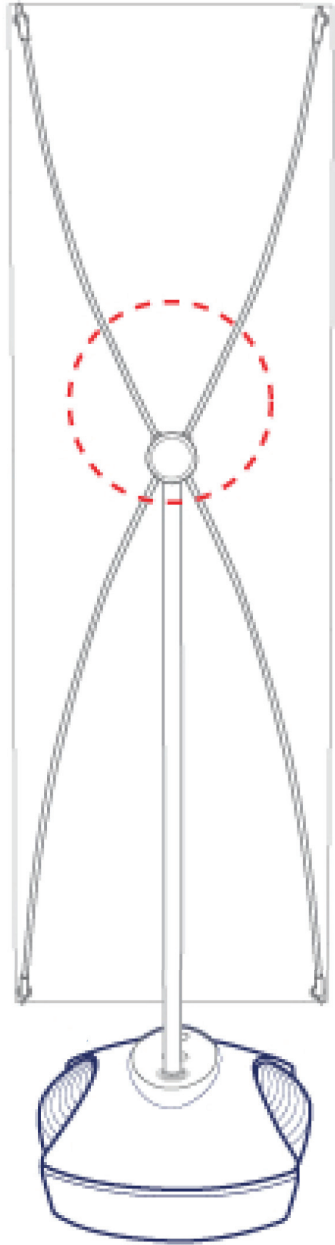
OUTDOOR
USE

#2 Grommets

1
YEAR
On Frame

1
YEAR
On Graphic

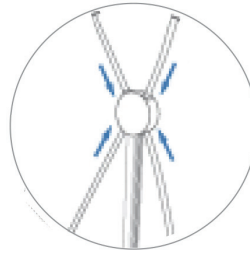
SET UP INSTRUCTIONS



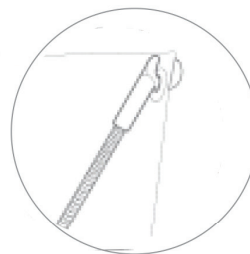
* Fill base with water to add stability during outdoor use.



Insert support pole connector and support pole into hole on base



Insert top and bottom graphic arm poles into holes on support pole



Attach eyelets of banner to hooks on ends of graphic arm poles



Hoist banner up to place adequate tension on the banner and press lever down to lock it into place