

Formulate Counter – Ellipse

W-03-C

Formulate™ counters couple lightweight hardware with printed stretch silicone edge fabric graphics (SEG) to create funky and functional reception stands. Tables and bases are available in four colored finishes – silver, black, mahogany and natural. Custom sizes also available.



features and benefits:

- Printed stretch silicone edge fabric graphics (SEG) for a custom look
- Counter supports 25 lbs. of weight on center
- Choice of four finishes for table and base
- Kit includes: one frame, dye-sublimated graphic, laminate panel, table and base, and one wheeled molded OCH2 storage case
- Lifetime hardware warranty against manufacturer defects

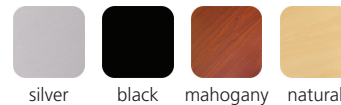
dimensions:

Hardware	Graphic
<p>Assembled unit: 46" w x 38" h x 20" d 1168mm(w) x 970mm(h) x 508mm(d)</p> <p>Approximate kit weight (includes graphic): 57 lbs / 25.85 kgs</p>	<p>Total visual area: 44" w - 62" w x 35.424" h</p> <p>Please be sure to include the 5" bleed around the perimeter.</p> <p>Refer to related graphic template for more information.</p>
<p>Shipping</p> <p>Shipping dimensions: One OCH2 case: 50" l x 30" w x 15" h</p> <p>Approximate shipping weight: (kit and case) 87 lbs / 39.5 kgs</p>	<p>Visit: www.exhibitors-handbook.com/graphic-templates</p>

additional information:

Graphic material:
Dye-sublimated fabric

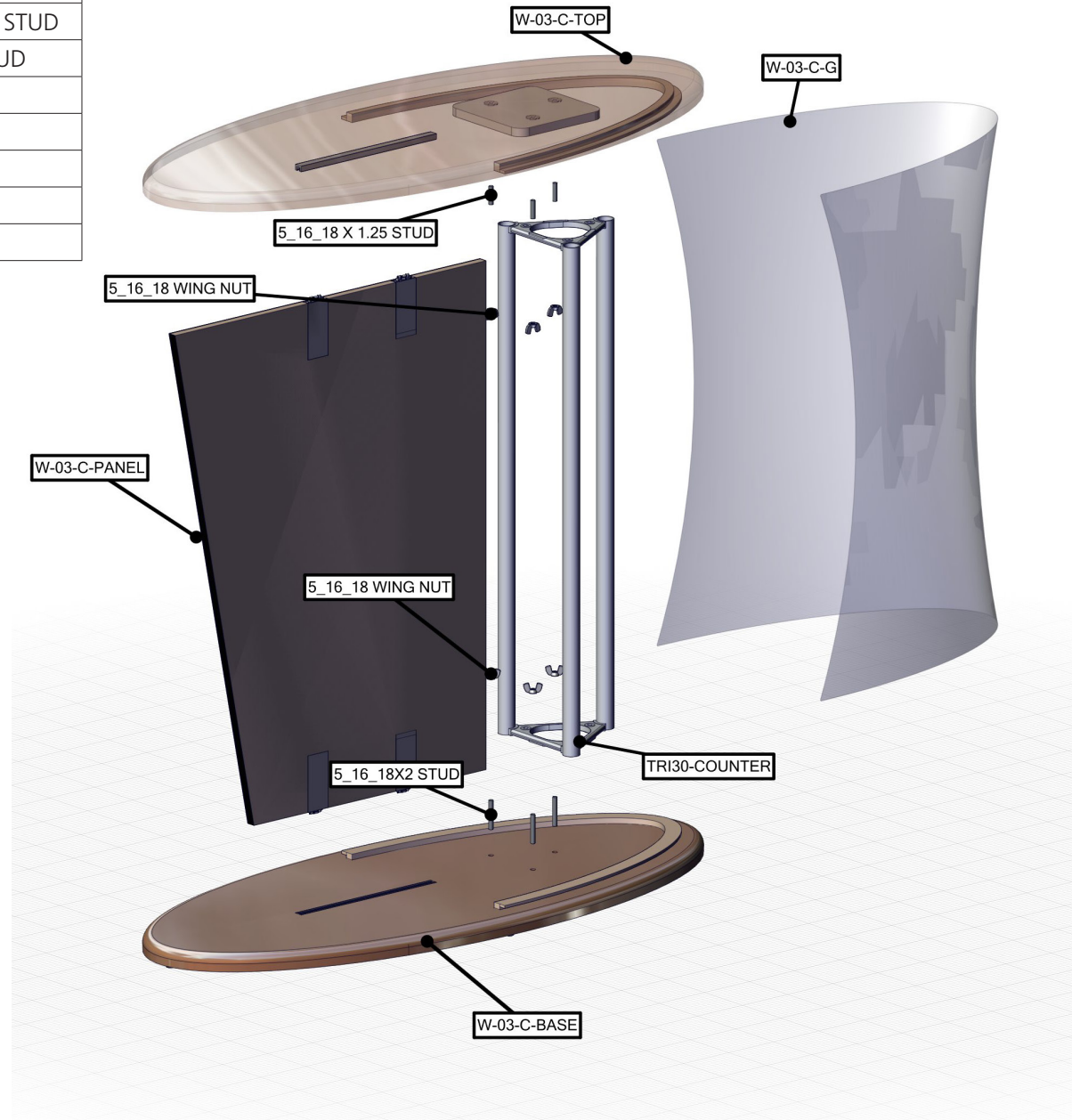
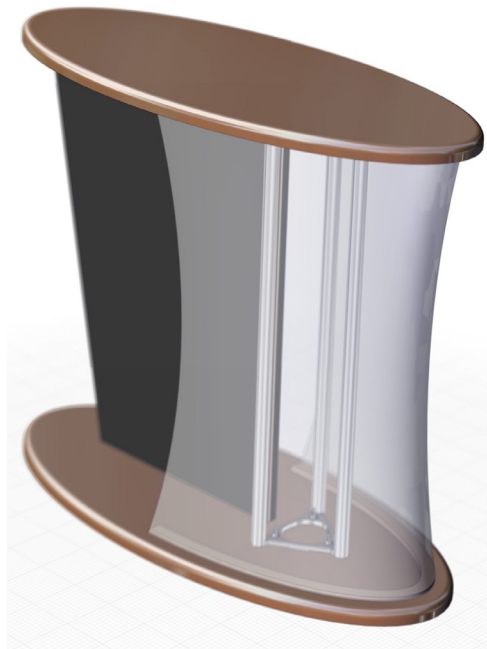
Top/Base finishes:



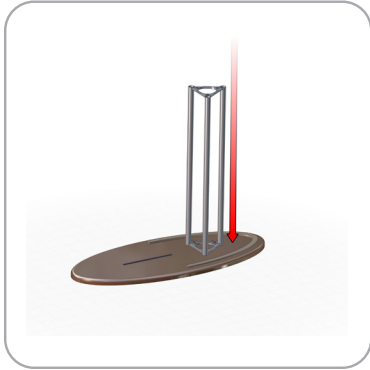
www.display-setup-animations.com

We are continually improving and modifying our product range and reserve the right to vary the specifications without prior notice. All dimensions and weights quoted are approximate and we accept no responsibility for variance. E&OE. See Graphic Templates for graphic bleed specifications.

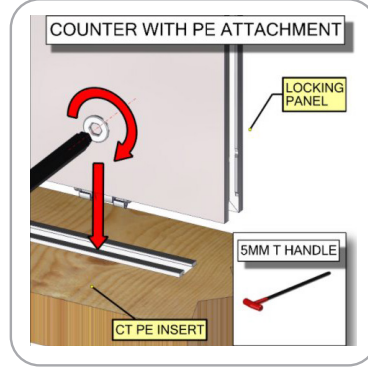
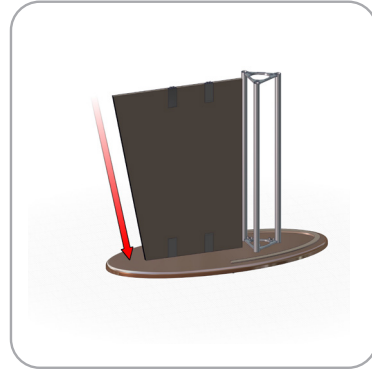
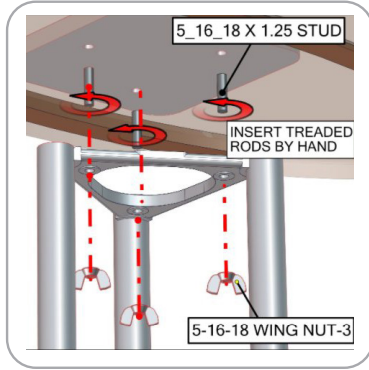
Parts Included		
Part Label	Qty	Part Code
5/16-18 WING NUT	x6	5-16-18 WING NUT
5/16-18 X 1.25" STEEL STUD	x6	5_16_18 X 1.25 STUD
5/16-18 X 2" STEEL STUD	x3	5_16_18 X 2 STUD
900MM LENGTH OF TRILOK TRUSS	x1	TRI30-COUNTER
ELLIPSE BASE	x1	W-03-C-BASE
ANGLE PANEL	x1	W-03-C-PANEL
ELLIPSE FABRIC GRAPHIC	x1	W-03-C-G
ELLIPSE TOP	x1	W-03-C-TOP



STEP 1: ATTACH BASE



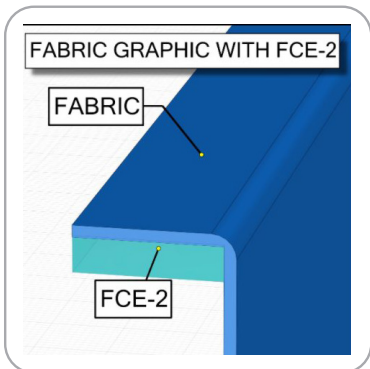
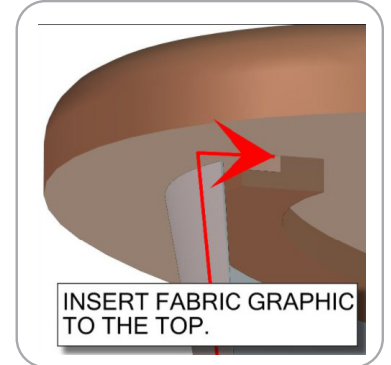
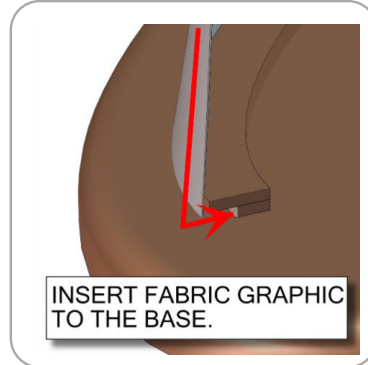
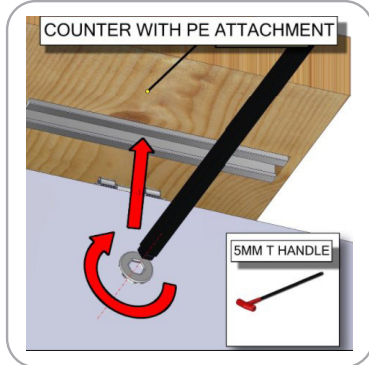
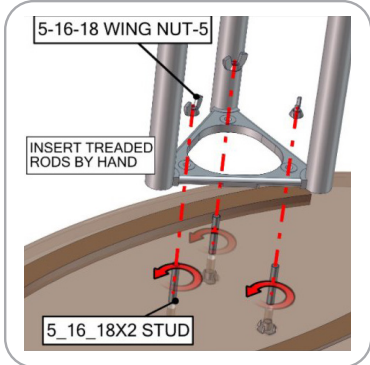
STEP 2: ATTACH PANEL



STEP 3: ATTACH TOP



STEP 4: ATTACH GRAPHIC



Check out these related products:

The Formulate line is a collection of stylish, ergonomically designed tabletop, 8ft, 10ft, 20ft exhibits, hanging structures, and display accessories. Portable counters and kiosks provide ample storage and style to complement our vast array of exhibit kits and displays. With a variety of options to choose from, mix and match to create the ideal display or reception set up.



Formulate Tablet Kiosk 01:
TABLET-STD-01



Formulate Counter:
Pillar
W-01-C



Formulate Counter:
Half Moon
W-02-C



Formulate Tablet Kiosk 02:
TABLET-STD-02



Formulate Tablet Kiosk 03:
TABLET-STD-03



Formulate Counter:
Bullet
W-04-C



Formulate Counter:
Oval
W-05-C