

Vector Frame R-03

VF-R-03

Vector Frame is a collection of modern extrusion-based fabric graphic banner displays. Vector Frame is easy to assemble and disassemble and provides your choice of single-sided or double-sided integrated fabric graphic murals.



features and benefits

- 50mm silver extrusion frame
- Single or double-sided SEG dye-sublimated fabric graphics
- Easy assembly
- Comes packaged in one OCL wheeled molded case for transport or storage
- Lifetime hardware warranty against manufacturer defects

dimensions

Hardware	Graphic
<p>Assembled unit: 48.11" w x 71.12" h x 19.685" d approx. 1221.994mm(w) x 1806.448mm(h) x 499.999mm(d)</p>	<p>Total visual area: 47.125" w x 70.75" h 1197mm(w) x 1797mm(h)</p> <p>Refer to related graphic templates for more information</p>
<p>Shipping</p> <p>Shipping dimensions: One OCL case: 19" l x 19" w x 56" h 483mm(l) x 483mm(w) x 1422mm(h)</p> <p>Approximate shipping weight (entire kit): 42 lbs/19 kgs</p>	

additional information

Graphic material:
Dye-sublimated fabric

Optional lighting available

We are continually improving and modifying our product range and reserve the right to vary the specifications without prior notice. All dimensions and weights quoted are approximate and we accept no responsibility for variance. E&OE. See Graphic Templates for graphic bleed specifications.

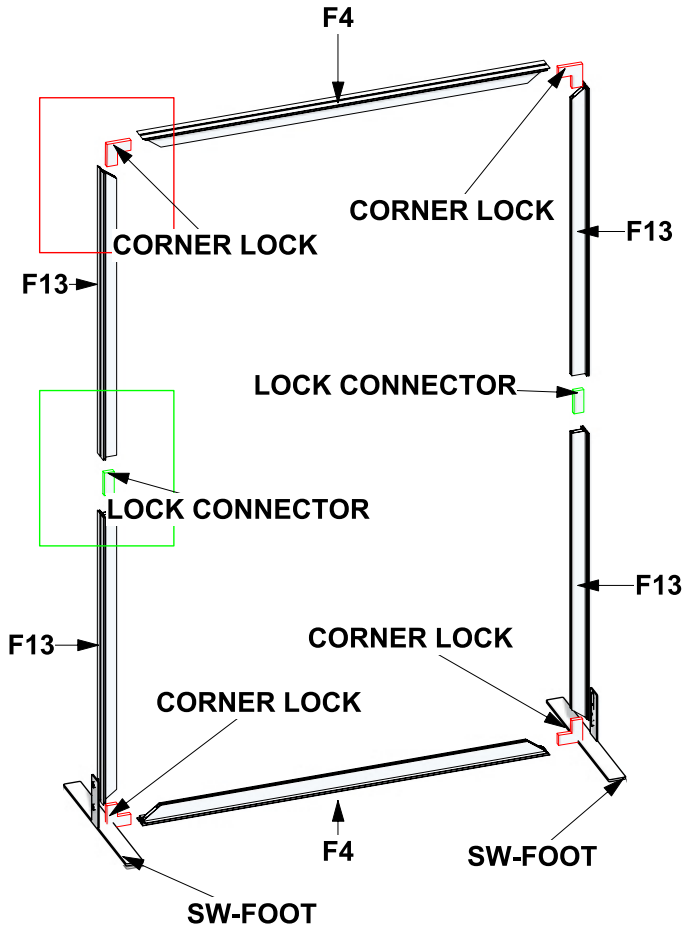
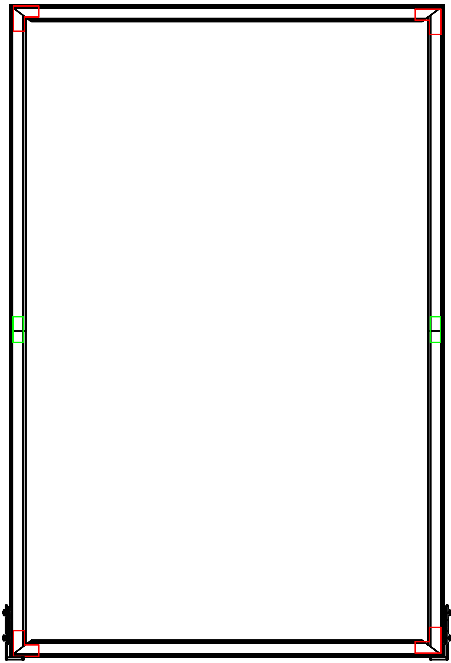
Code	#	Description
F4	2	PHFC2-1200-1[47 1/4"] (Mitre / Corner Lock Both ends - No Locks)
F13	4	PHFC2-900-3[35 3/8"] (Mitre / Corner Lock one end - straight cut & lock hole other end)
LOCK CONNECTOR	2	END TO END LOCK CONNECTOR
CORNER LOCK	4	90 DEGREE CB9 CORNER LOCK CONNECTOR
SW-FOOT	2	500MM FLAT FOOT FOR SMARTWALL FRAMES

NOTE: TURN EACH CAM A LITTLE BIT, AND THEN GO BACK AND TIGHTEN BOTH TO THE PROPER TENSION.

CAM
LOCK CONNECTOR

NOTE: TURN EACH CAM A LITTLE BIT, AND THEN GO BACK AND TIGHTEN BOTH TO THE PROPER TENSION.

CAM
CORNER LOCK



LOCK CONNECTOR

EXTRUSION
LOCK CONNECTOR
LOCK
T HANDLE
LOCK
LOCK

Slide LOCK CONNECTOR together with extrusion. Then tighten the CAMS to lock EXTRUSIONS together

CORNER LOCK

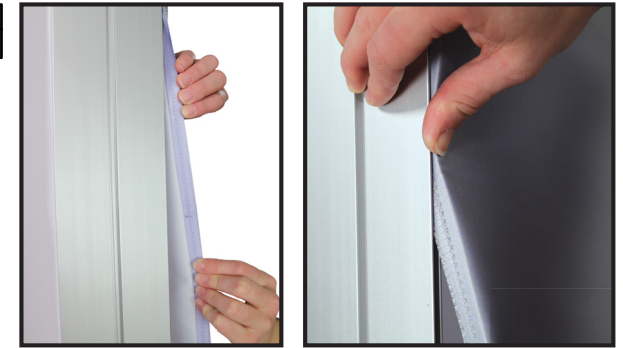
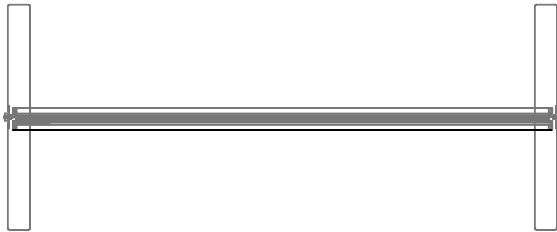
LOCK
LOCK
HORIZONTAL EXTRUSION
VERTICAL EXTRUSION
T HANDLE
LOCK

Slide CORNER LOCK together with extrusion. Then tighten the screws to lock the CORNER LOCKs together

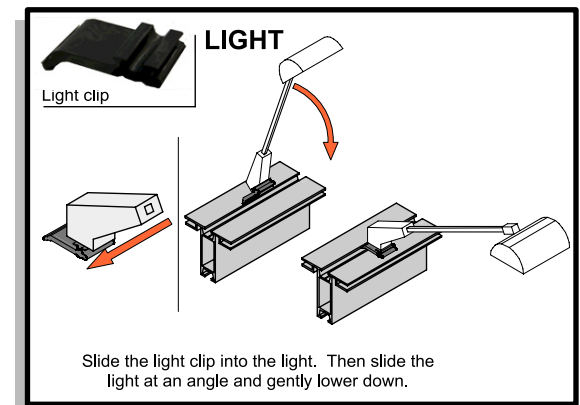
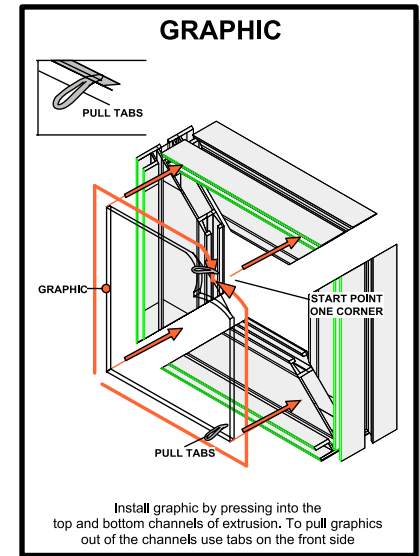
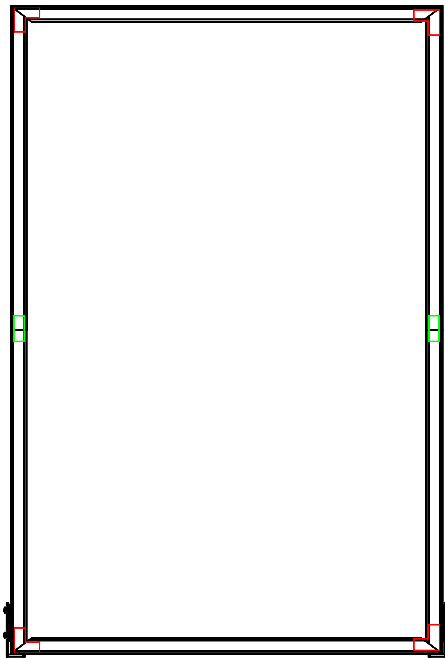
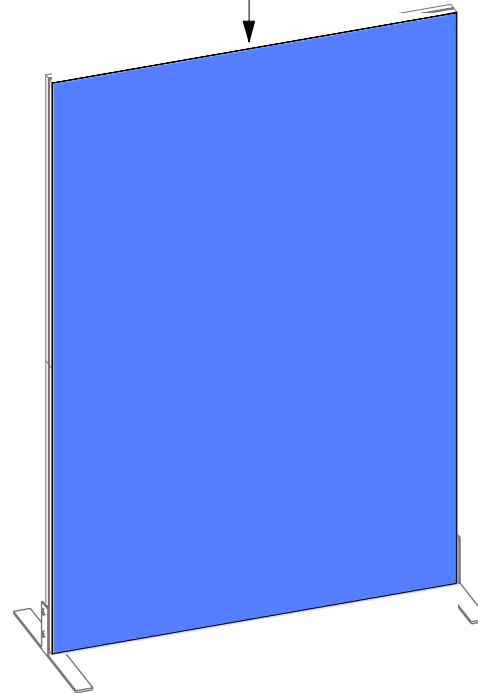
1- LOOSE THUMBSCREWS
2- SLIDE EXTRUSION INTO LN-100
3- GENTLY TIGHTEN SW-FOOT IN PLACE

SW-FOOT

Code	#	Description
GRAPHIC A	1	70.87"H X 47.25"W SINGLE SIDED DYESUB GRAPHIC (UNLINED) PRINTED ON OXFORD W/ FCE-2 ALL 4 SIDES



GRAPHIC A

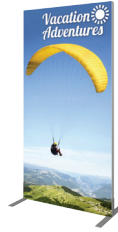


Vector Frame Banners and Light Boxes

Banners:



Vector Frame Banner
VF-R-01



Vector Frame Banner
VF-R-02



Vector Frame Banner
VF-R-03



Vector Frame Banner
VF-R-04



Vector Frame Banner
VF-R-05



Vector Frame Banner
VF-S-01



Vector Frame Banner
VF-S-02



Vector Frame Banner
VF-S-03



Vector Frame Banner
VF-S-04

Lightboxes:



Vector Frame Lightbox
VF-LF-R-01



Vector Frame Lightbox
VF-LB-R-02



Vector Frame Lightbox
VF-LB-R-03



Vector Frame Lightbox
VF-LB-R-04



Vector Frame Lightbox
VF-LB-R-05



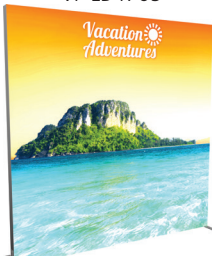
Vector Frame Lightbox
VF-LB-S-01



Vector Frame Lightbox
VF-LB-S-02



Vector Frame Lightbox
VF-LB-S-03



Vector Frame Lightbox
VF-LB-S-04