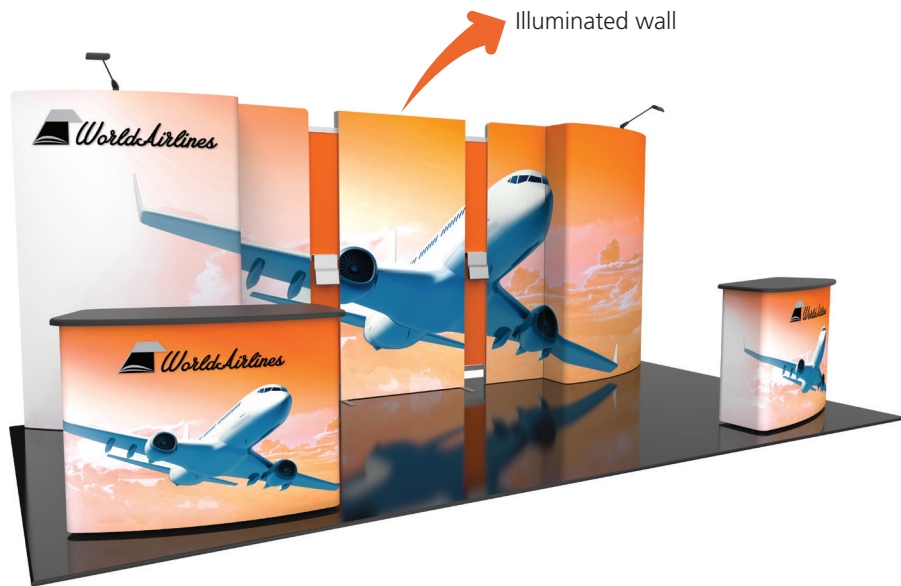


Vector Frame Kit 19

VF-K-19

The innovative, contemporary and clean appearance of the Vector Frame™ line of exhibit kits will captivate your audience. Kits feature push-fit fabric graphics, easy-to-assemble extrusion frames, accent lighting, tables, counters, literature accessories, monitor mounts and interior LED edge lighting where indicated.



features and benefits:

- 50mm silver extrusion frame
- Illuminated graphic panel with interior LED lighting top and bottom
- Includes two center literature pockets
- Single-sided SEG dye-sublimated push-fit fabric graphics
- Kit includes frame, four fabric graphic panels, four rigid graphic panels, one illuminated graphic panel, two fabric graphic counters, two 120 watt lights, two center literature pockets and four wheeled molded cases
- Lifetime hardware warranty against manufacturer defects

dimensions:

Hardware	Graphic
Assembled Unit: 232.25" w x 102" h x 24.25" d 5899.404mm(w) x 2590.8mm(h) x 615.95mm(d)	Total visual area: Dye Sub Panels A & I: 76.50" w x 94.375" h 1943mm(w) x 2397mm(h)
Counter: 55.5" w x 40.5" h x 22.5" d 1410mm(w) x 1029mm(h) x 571.5mm(d)	Dye Sub Panels B & H: 25.625" w x 94.375" h 651mm(w) x 2397mm(h)
	Dye Sub Panel E (backlit): 47.125" w x 94.375" h 1197mm(w) x 2397mm(h)
Shipping Shipping Dimensions - ships in 4 cases: 3 OCH2 cases: 52" l x 30" w x 15" h 1320.8mm(l) x 762mm(w) x 381mm(h)	UV Panels C, D, F & G: 9.81" w x 39.34" h 249mm(w) x 999mm(h)
1 OCE case: 66" l x 18" w x 18" h 1676.4mm(l) x 457.2mm(w) x 457.2mm(h)	Counters (each): Front (wraps around counter): 106.375" w x 39.24" h 2702mm(w) x 997mm(h)
Approximate shipping weight (entire kit): 363.4 lbs / 164.84 kgs	Back: 20.62" w x 39.24" h 524mm(w) x 39.24mm(h)
	Please be sure to include a 2" bleed around the perimeter. Refer to related graphic templates for more information

additional information:

Graphic material:
Dye-sublimated fabric

Tabletop color options:



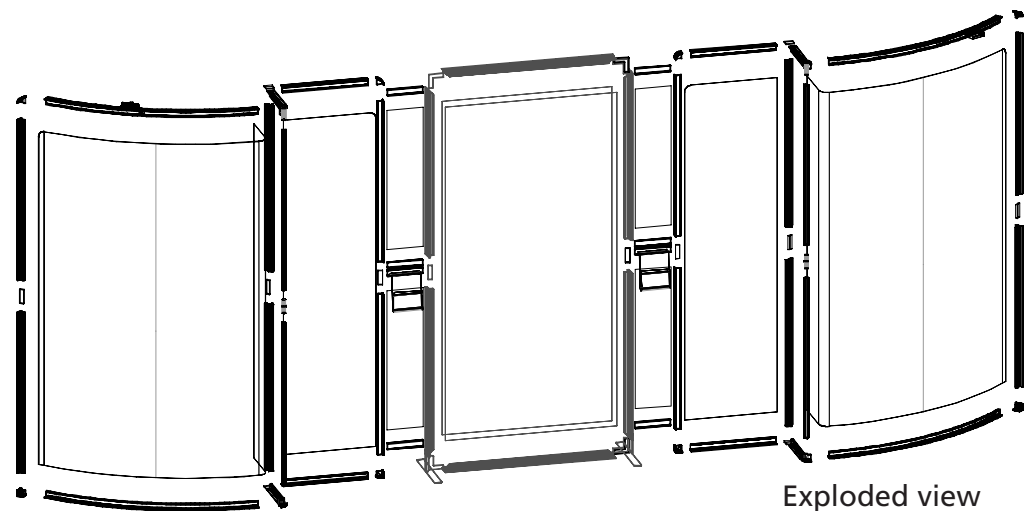
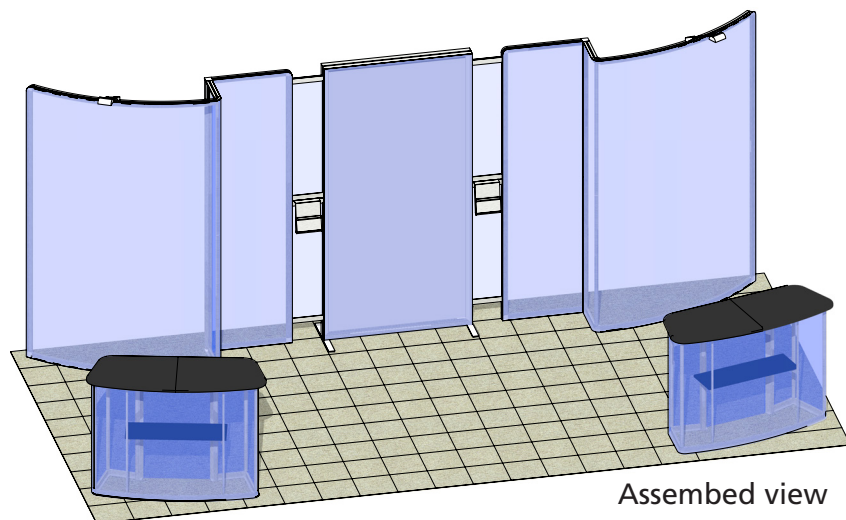
Lights included:
Lumina 200 120 watt floodlight, curved arm, black finish, 19.5" from end to end

Counter max weight = 100 lbs / 45.36 kgs

We are continually improving and modifying our product range and reserve the right to vary the specifications without prior notice. All dimensions and weights quoted are approximate and we accept no responsibility for variance. E&OE. See Graphic Templates for graphic bleed specifications.

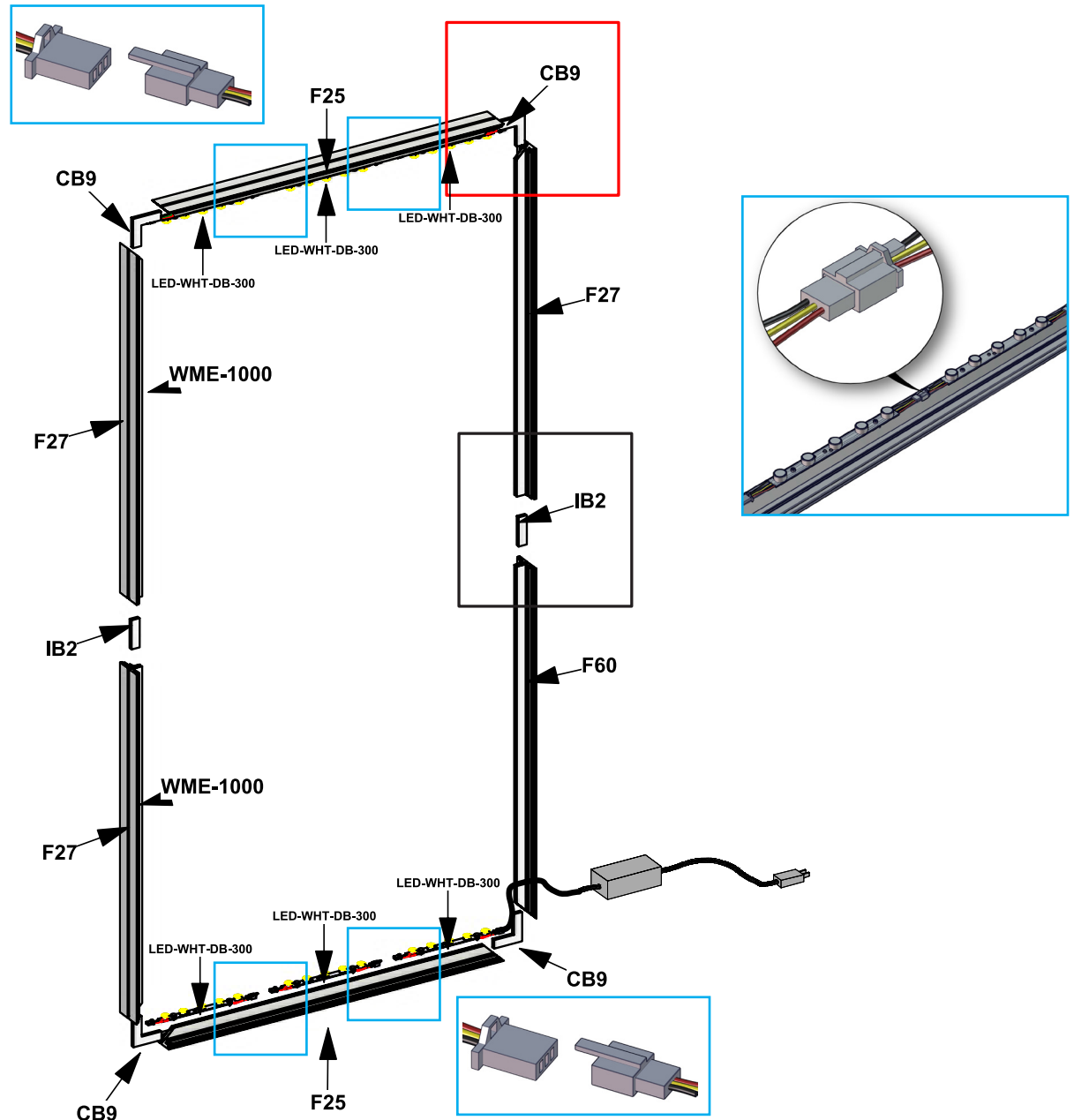
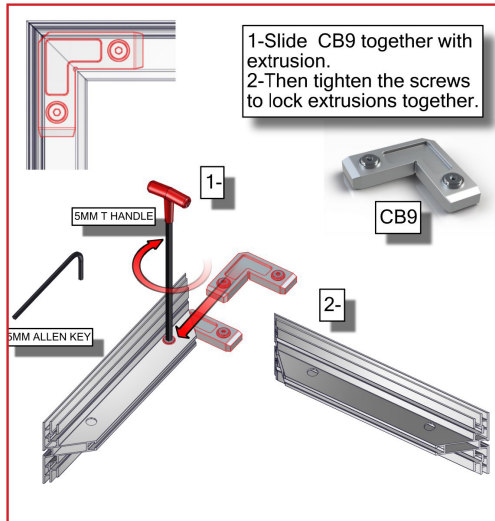
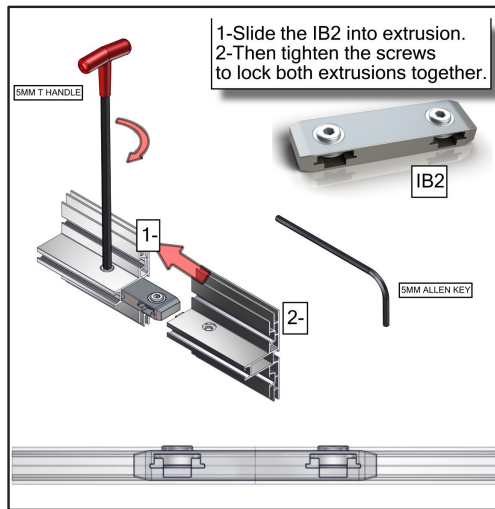
Parts Included:

Code	Qty	Description
VF-K-19-A-G	x1	1946MM (76.63")W X 2400MM (94.5")H FABRIC GRAPHIC W/FCE-2 ALL SIDES
VF-K-19-B-G	x1	641MM (25.25")W X 2400MM (94.5")H FABRIC GRAPHIC W/FCE-2 ALL SIDES
VF-K-19-C-G	x1	249MM (9.81")W X 999MM (39.34")H PVC GRAPHIC
VF-K-19-D-G	x1	249MM (9.81")W X 999MM (39.34")H PVC GRAPHIC
VF-K-19-E-G	x1	1200MM (47.25")W X 2400MM (94.5")H FABRIC GRAPHIC W/FCE-2 ALL SIDES
VF-K-19-F-G	x1	249MM (9.81")W X 999MM (39.34")H PVC GRAPHIC
VF-K-19-G-G	x1	249MM (9.81")W X 999MM (39.34")H PVC GRAPHIC
VF-K-19-H-G	x1	641MM (25.25")W X 2400MM (94.5")H FABRIC GRAPHIC W/FCE-2 ALL SIDES
VF-K-19-I-G	x1	1946MM (76.63")W X 2400MM (94.5")H FABRIC GRAPHIC W/FCE-2 ALL SIDES
F22	x4	1193MM (46.97") PMFC2-90 EXTRUSION - WITH IB2 LOCK HOLES BOTH SIDES
F25	x2	1200MM (47.25") LENGTH OF PHFC4 EXTRUSION - WITH MITRE CUT FOR CB9 BOTH SIDES
F27	x2	1200MM (47.25") LENGTH OF PHFC4 EXTRUSION - WITH MITRE CUT FOR CB9 ONE END - IB2 LOCK HOLES ONE END
F34	x8	1155MM (45.47") PHFC2 EXTRUSION - WITH IB2 HOLE ONE SIDE - WITH LOCK ONE END
F40	x4	600MM (23.62") PHFC2 EXTRUSION WITH LOCKS TWO ENDS
F43	x4	300MM (11.81") PHFC2 EXTRUSION WITH LOCKS TWO ENDS
F56	x4	6R X 45 DEGREE PHFC2 EXTRUSION - WITH IB2 LOCK HOLES ONE SIDE - CAM LOCK ONE SIDE
F60	x2	1200MM (47.25") LENGTH OF PHFC4 EXTRUSION - WITH MITRE CUT FOR CB9 ONE END - IB2 LOCK HOLES ONE END WITH WIRE CHASE HOLE
VE-77	x8	250MM (9.84") PH EXTRUSION WITH LOCKS TWO ENDS
IB2	x10	PH INLINE CONNECTOR
CB9-R	x4	50MM ROUND PHCF2 CORNER BRACKET
CB9-S	x4	50MM SQUARE PHCF2 CORNER BRACKET
CB9	x6	CB9 CORNER BRACKET
CB10-R	x4	50MM ROUND PHCF2 CORNER BRACKET
PMFC2-90 CAP	x4	PMFC2 90 DEGREE EXTRUSION CAP
TUBE-30-1150	x4	1150MM X 30MM TUBE WITH ES30 HOLES BOTH ENDS
TC-30-S	x2	INLINE CONNECTOR FOR 30 TUBING
LUM-200-ORL-B LN-3P-LT-FXT	x2	BLACK 200W HALOGEN LIGHT FIXTURE ETL APPROVED
LN112-4	x2	LN112-4
LED-WHT-DB-300	x6	300MM (11.81") LENGTH LED LIGHTS FOR DIRECTIONAL BACKLIT
SW-FOOT	x2	VECTOR FRAME SUPPORT FOOT
WME-1000	x2	1000MM (39.37") GREY RPVC WIRE MANAGEMENT EXTRUSION



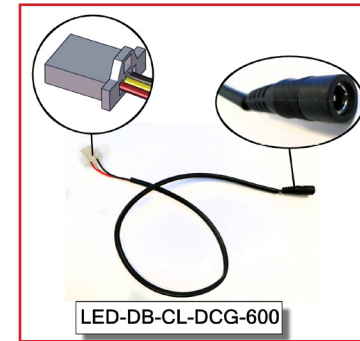
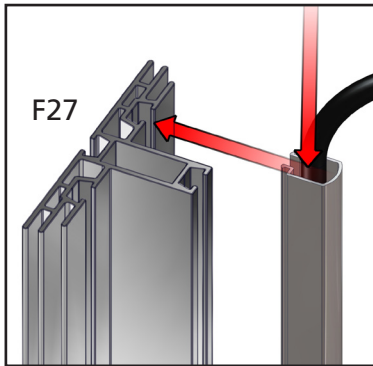
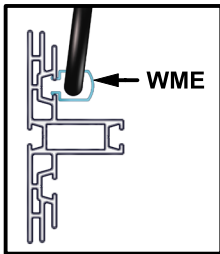
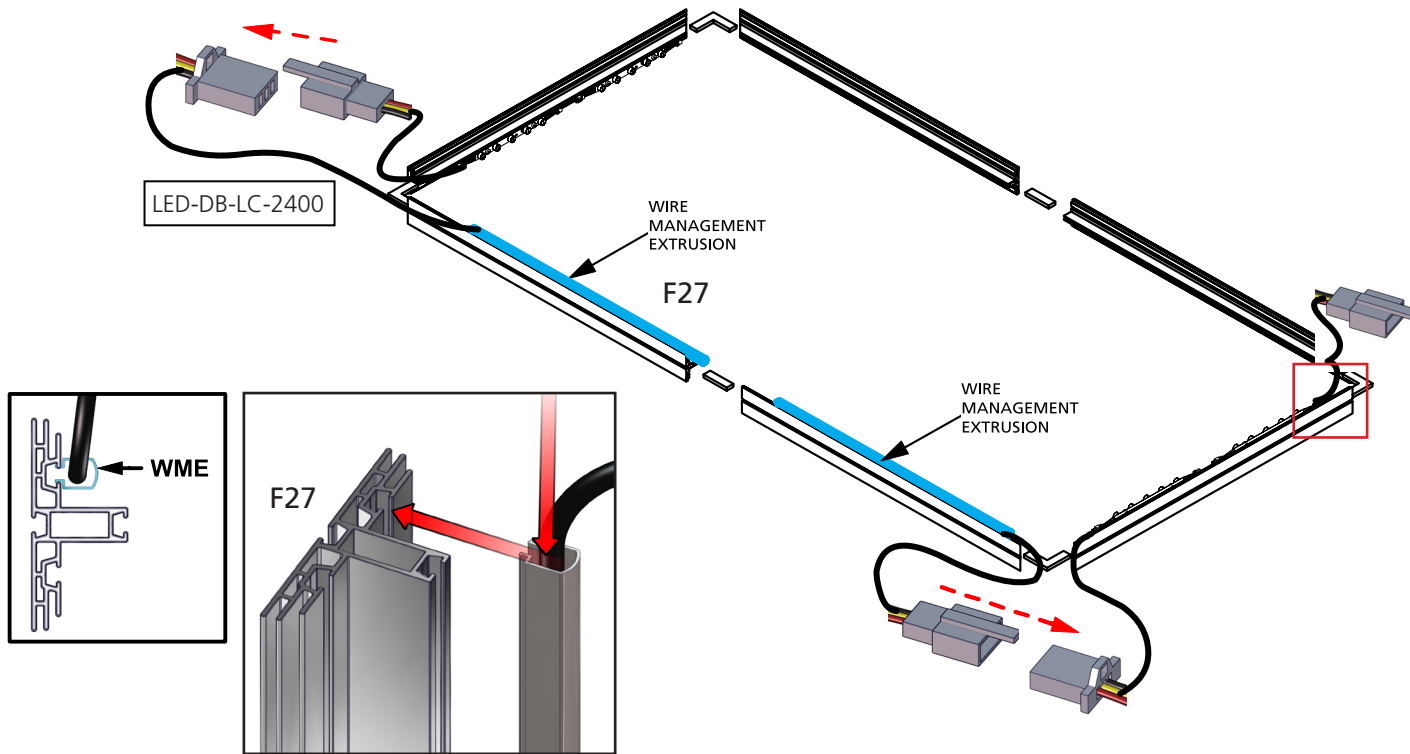
Step 1: Assemble Backlit Center Frame

Arrange pieces on the floor as shown in the diagram below. Assemble frame by sliding CB9's into corners of the F25, F27 and F60. Lights come adhered to the F25s. Ensure lighting strips are connected. When locking be sure to turn each cam a little bit and then go back and tighten to the proper tension. Take care to turn locks only half a turn.



Step 2: Attach Light Strips with Wire Management

Once frame is assembled and lighting strips are connected, connect black wire LED-DB-LC-2400 to lighting strips on top and bottom. Run cords with wire management extrusion (WME). Place LED-DB-LC-2400 into plastic wire management strip and insert into F27 extrusion. Next, run LED-DB-CL-DCG-600 cord through wire hole at the bottom right end of vertical extrusion then connect to lighting strip. Connect to power supply. Important: 9 lighting strips maximum per power supply.



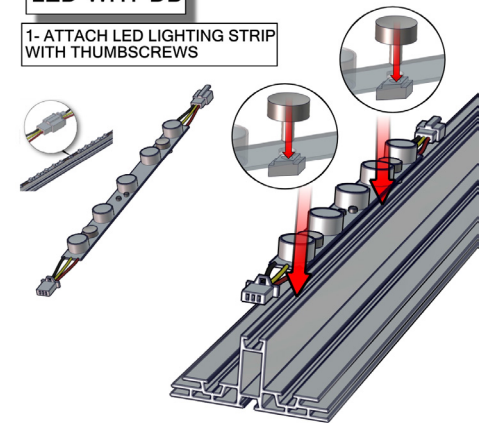
CONNECT TO POWER SUPPLY:



TO REMOVE OR RE-ATTACH LIGHTS:

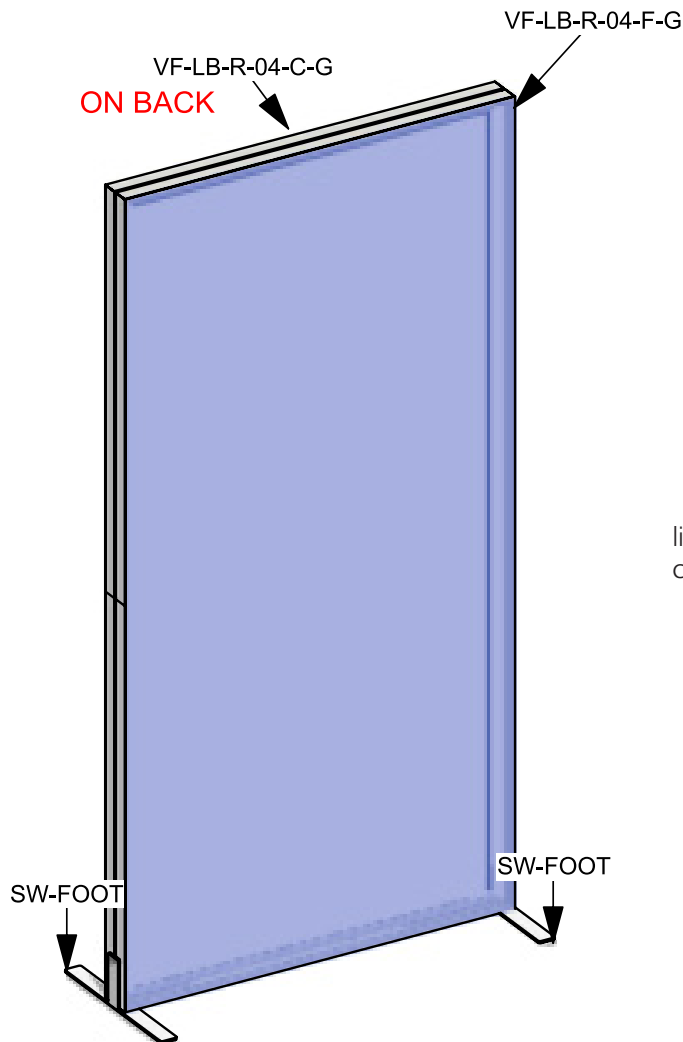
LED-WHT-DB

1- ATTACH LED LIGHTING STRIP WITH THUMBSCREWS

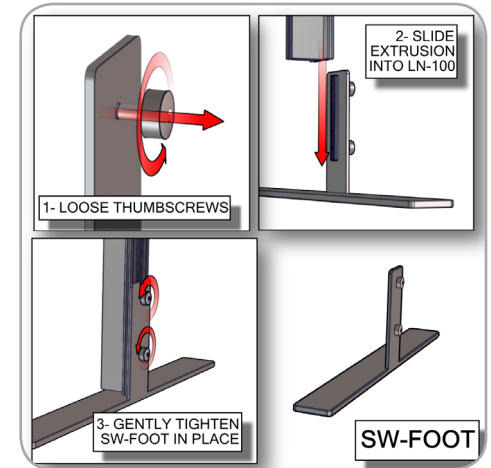
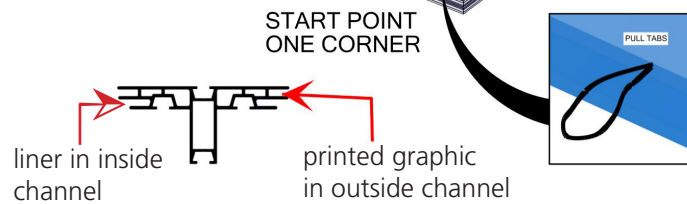


Step 3: Attach feet to frame & apply graphics

To adhere foot to frame, loosen thumbscrews from foot. Slide extrusion into LN-100 groove. Gently tighten the foot into place. Install graphics by pressing the FCE-2 edge of graphic into the channel of the extrusion. Printed fabric graphic should be placed in outside channel(s). Liner for single-sided light boxes is placed in inside channel. Start in upper left corner, go across the top and then down the sides to the bottom. Assure each graphic is tightly inserted. When taking graphics off, take care to gently pull by attached pull tab. Set frame aside.



FCE-2 TO PHFC4



Push fabric with FCE-2 edge folded over into each corner of frame.



Press into the middle of the inside channel and continue around perimeter.

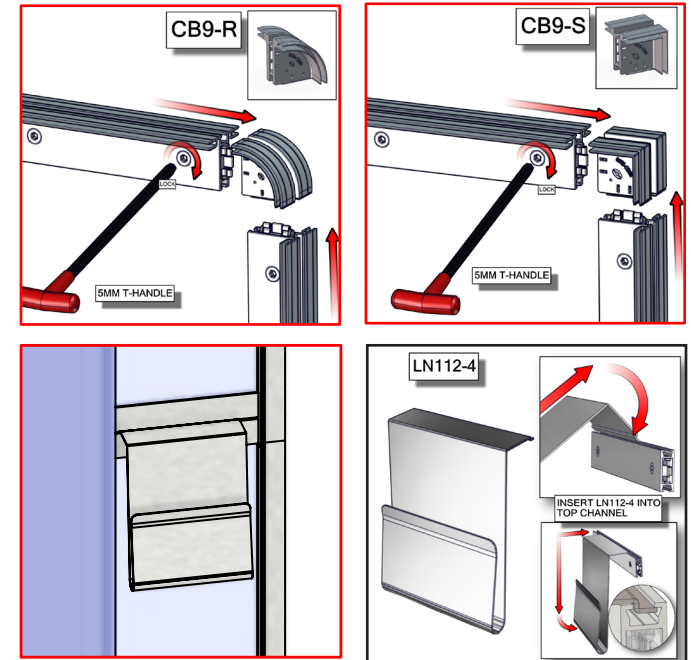
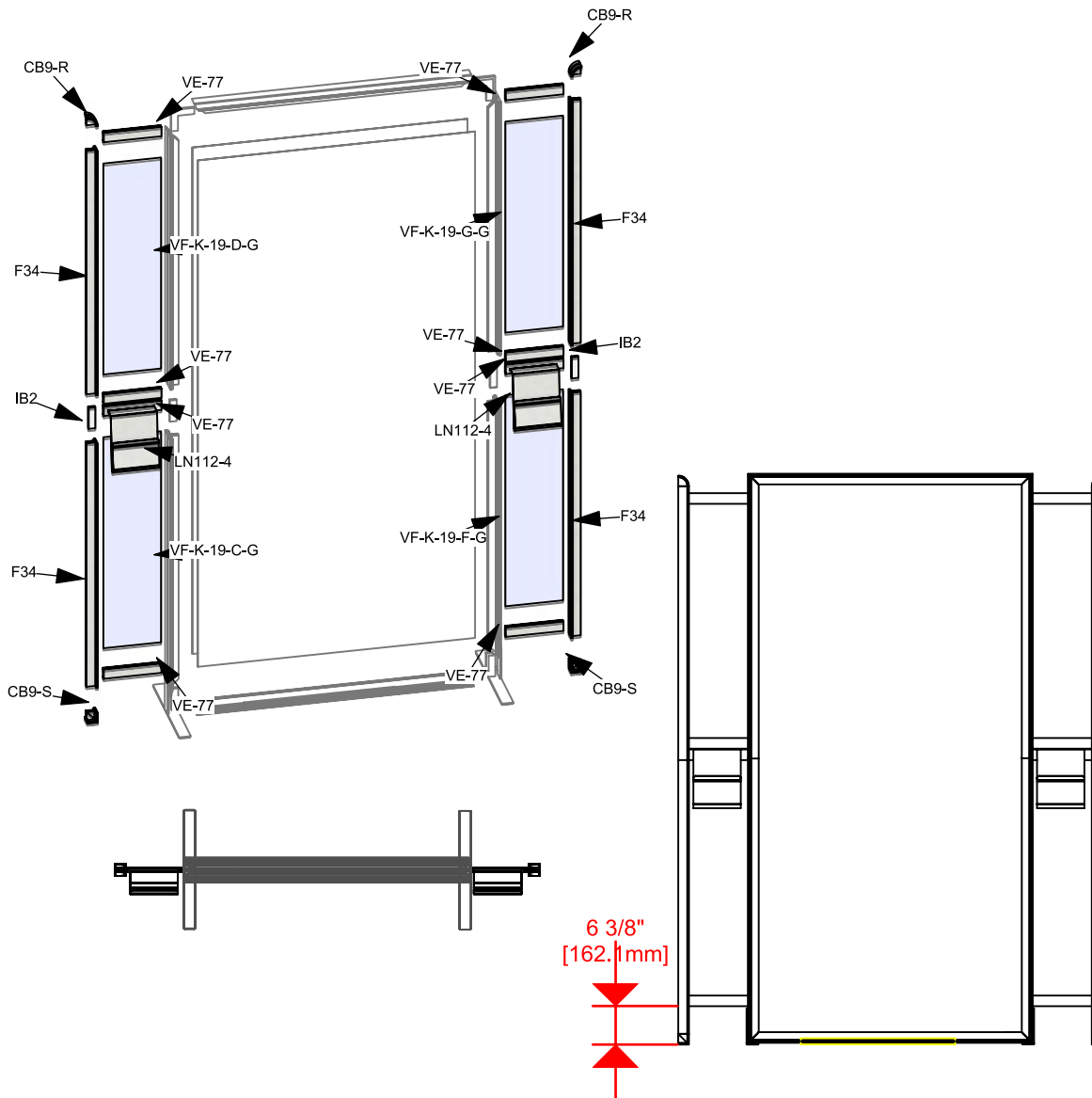


To remove graphic, use the pull tab and gently pull graphic from frame.

Graphic Storage & Care: Graphics should be folded with the graphic facing inward and stored in a ziplock / sealable plastic bag. Spot clean by wiping with a damp white cloth. If washing is necessary, use a commercial size front-loading washing machine, gental cycle with cool water. Line dry flat. Dry cleaning is NOT recommended to prevent shrinkage.

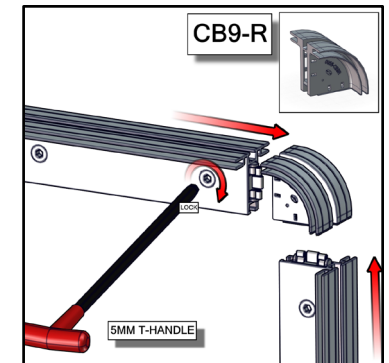
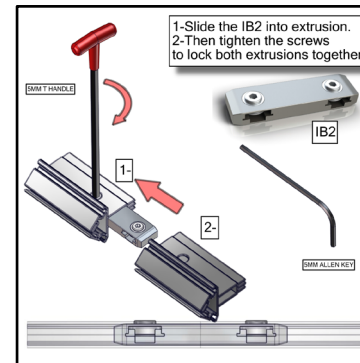
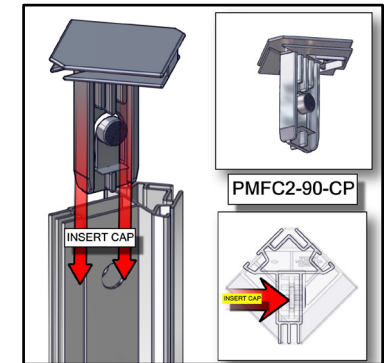
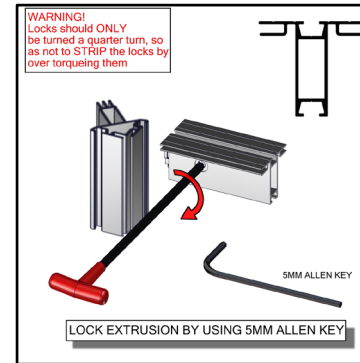
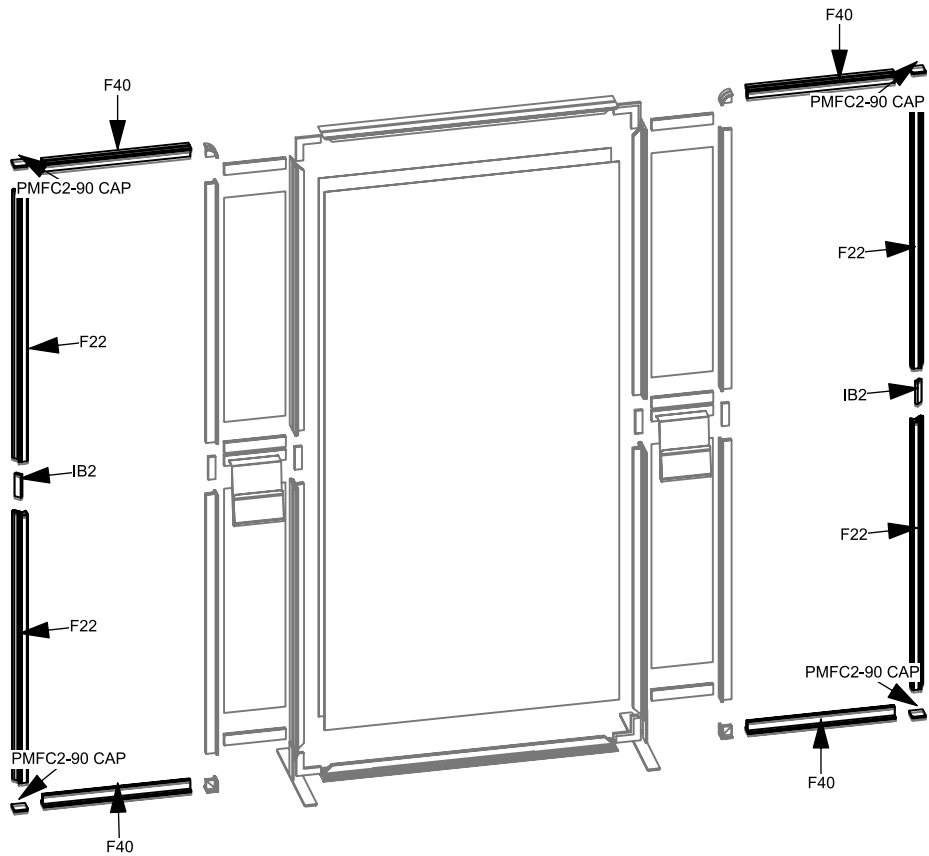
Step 4: Install Rigid Graphic Panels & Literature Holders

To install left center graphic panel, start with bottom VE-75 up 4" from the ground and build up. Lock bottom VE-77 and F34 and insert infill VF-K-19-C-G into VE-77 then lock top VE-77. Next, insert LN-114 into top channel and secure with next VE-77. Lock F34 and insert infill VF-K-19-D-G then secure top VE-77 and CB9-R. Repeat this process, building up from the bottom with VF-K-19-F-G and VF-K-19-G-G for right center graphic infill panel.



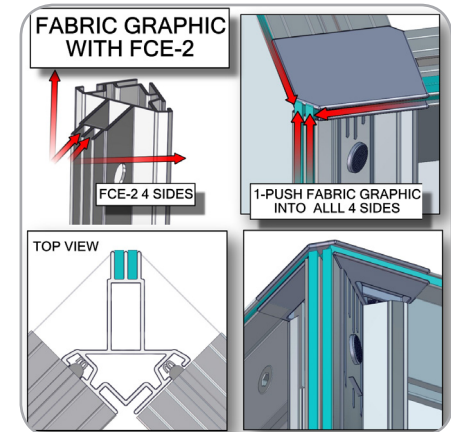
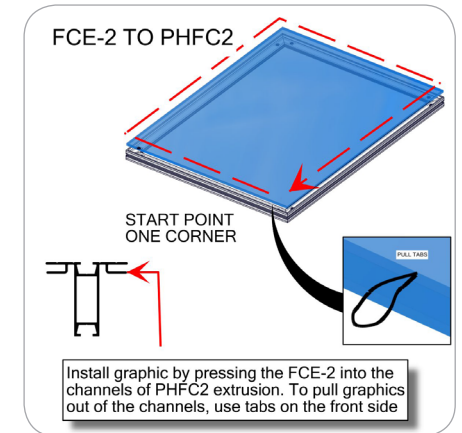
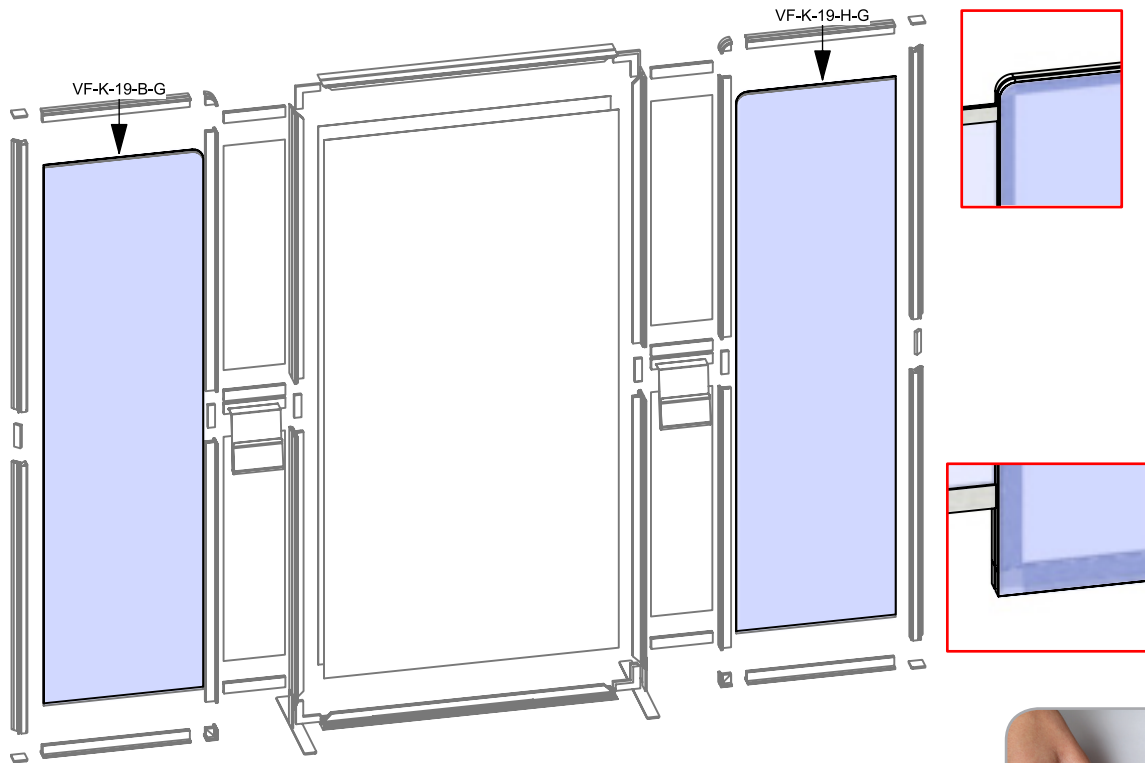
Step 5: Assemble Left & Right Center Sections

Arrange pieces on the floor as shown in the diagram below. Assemble frame by locking CB9-R's to the F40s and F22s. When locking be sure to turn each cam a little bit and then go back and tighten to the proper tension. Take care to turn locks only half a turn. Slide the IB2 into the extrusion to connect sides. Tighten to the proper tension to lock extrusions together.



Step 6: Apply Graphics To Left & Right Center Panels

Install graphic(s) by pressing the FCE-2 edge of graphic into the channel of the extrusion. Start in upper left corner and insert in remaining corners, then push graphic into each side. Assure graphics are tightly inserted. When taking graphics off, take care to gently pull by attached pull tab.



Push fabric with FCE-2 edge folded over into each corner of frame.



Press into the middle of the inside channel and continue around perimeter.

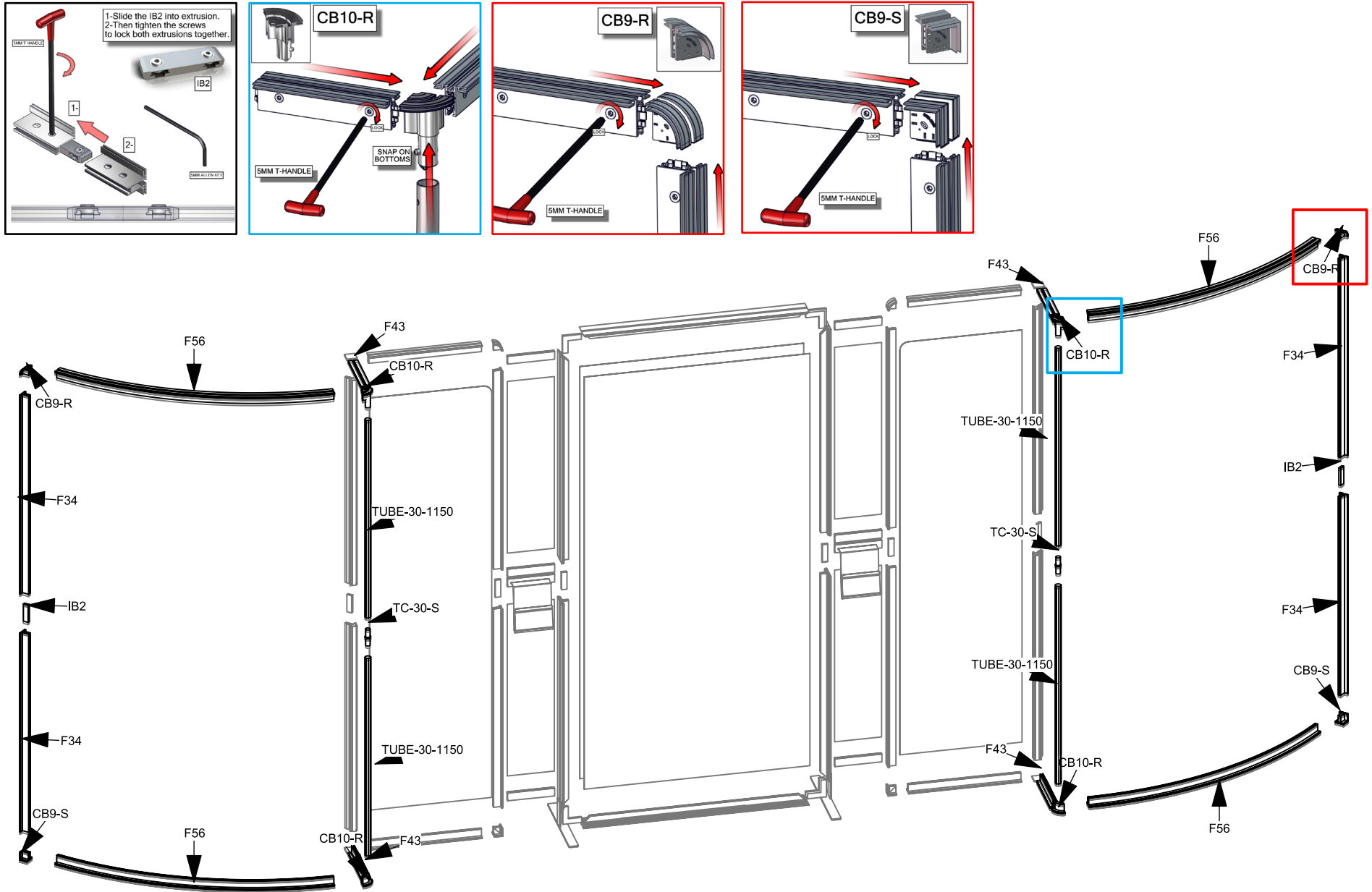


To remove graphic, use the pull tab and gently pull graphic from frame.

Graphic Storage & Care: Graphics should be folded with the graphic facing inward and stored in a ziplock / sealable plastic bag. Spot clean by wiping with a damp white cloth. If washing is necessary, use a commercial size front-loading washing machine, gental cycle with cool water. Line dry flat. Dry cleaning is NOT recommended to prevent shrinkage.

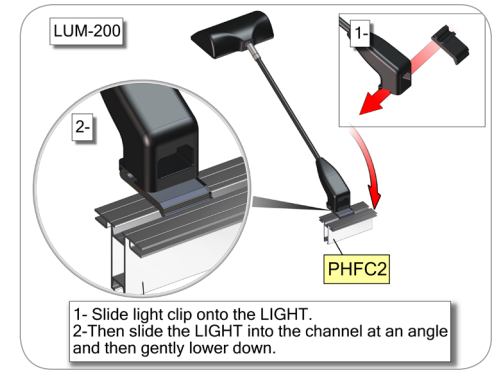
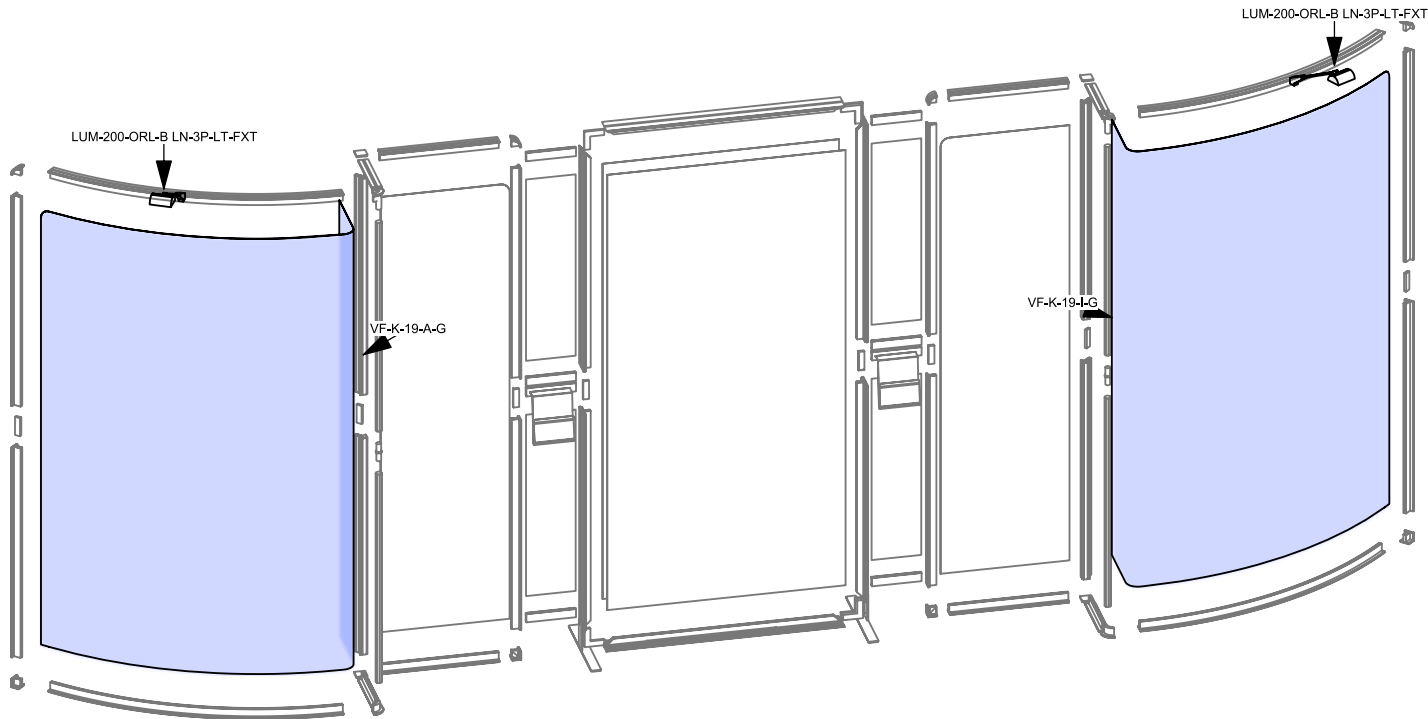
Step 7: Assemble Left & Right End Sections

Arrange pieces on the floor as shown in the diagram below. Assemble frame by locking CB9-R's on top and CB9-S's on bottom to the F56s and F34s. Lock F43s to CB10-R and snap on TUBE-30-1150 by pushing buttons. When locking be sure to turn each cam a little bit and then go back and tighten to the proper tension. Take care to turn locks only half a turn. Slide the IB2 into the extrusion to connect sides. Tighten to the proper tension to lock extrusions together.

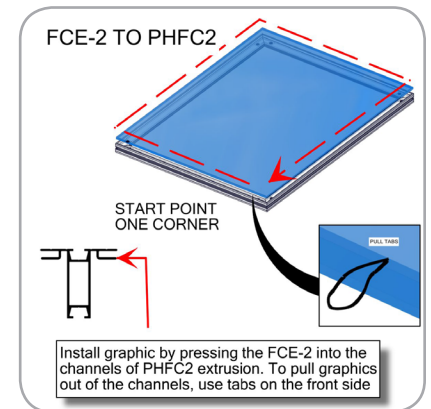


Step 8: Apply Graphics & Install Lights

Install graphic(s) by pressing the FCE-2 edge of graphic into the channel of the extrusion. Start in upper left corner and insert in remaining corners, then push graphic into each side. Assure graphic is tightly inserted. When taking graphics off, take care to gently pull by attached pull tab. Slide light clip onto each light. Then slide light into the extrusion channel at an angle and gently lower down and repeat for each light.



1- Slide light clip onto the LIGHT.
2- Then slide the LIGHT into the channel at an angle and then gently lower down.



Install graphic by pressing the FCE-2 into the channels of PHFC2 extrusion. To pull graphics out of the channels, use tabs on the front side



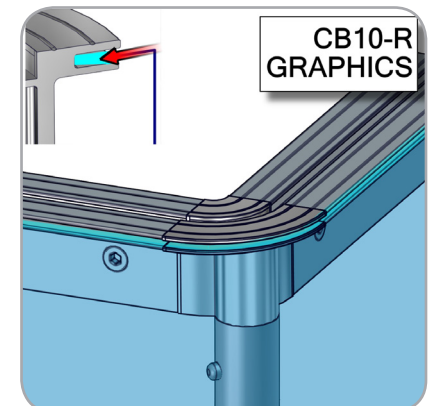
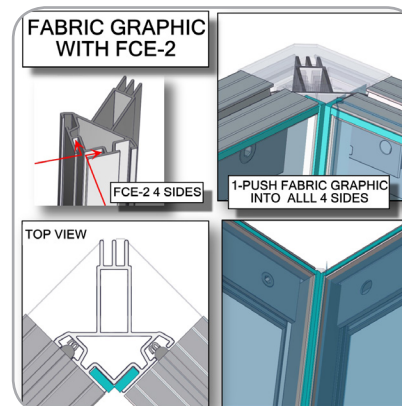
Push fabric with FCE-2 edge folded over into each corner of frame.



Press into the middle of the inside channel and continue around perimeter.



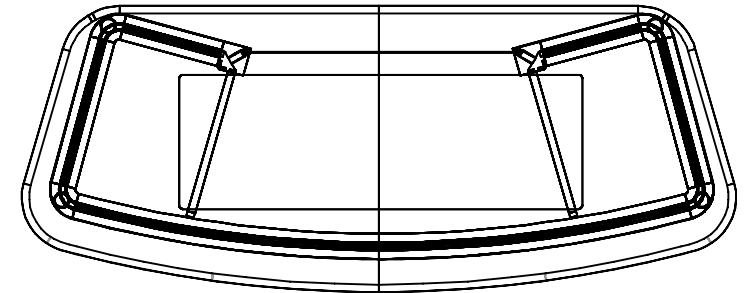
To remove graphic, use the pull tab and gently pull graphic from frame.



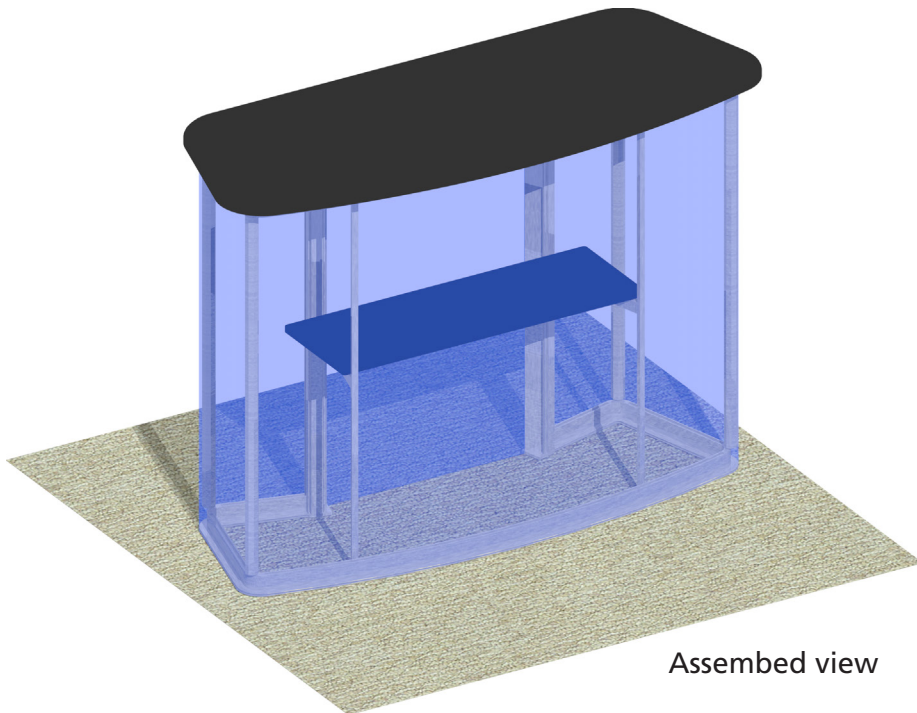
Graphic Storage & Care: Graphics should be folded with the graphic facing inward and stored in a ziplock / sealable plastic bag. Spot clean by wiping with a damp white cloth. If washing is necessary, use a commercial size front-loading washing machine, gental cycle with cool water. Line dry flat. Dry cleaning is NOT recommended to prevent shrinkage.

Parts Included – VFC-02 (2) Units:

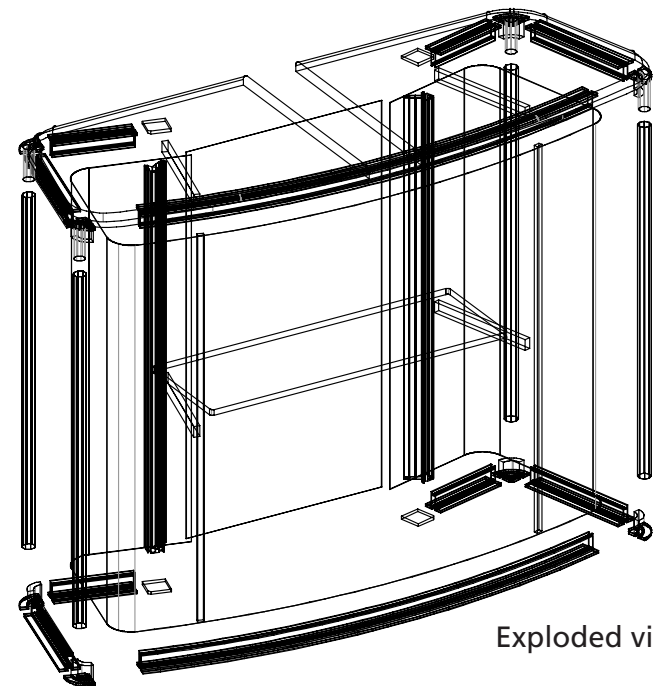
Code	Qty	Description
F49	x4	8R X 30 DEGREE PHFC2 EXTRUSION - WITH CAM LOCKS BOTH ENDS
F43	x8	300MM (11.81") PHFC2 EXTRUSION WITH LOCKS TWO ENDS
F47	x8	200MM (7.87") PHFC2 EXTRUSION WITH LOCKS TWO ENDS
F24	x4	986MM (38.32") PMFC2-90 EXTRUSION - WITH IB2 LOCK HOLES BOTH SIDES
CB10-R	x16	50MM ROUND PHCF2 CORNER BRACKET
VFC-02-CT	x4	COUNTERTOP FOR VECTOR COUNTER VFC-02
VFC-02-CT-S	x2	INTERNAL SHELF FOR VECTOR COUNTER VFC-02
VFC-02-B-G	x2	527MM (20.75")W X 1000MM (39.38")H FABRIC GRAPHIC W/FCE-2 ALL SIDES
VFC-02-A-G	x2	2705MM (106.5")W X 1000MM (39.38")H FABRIC GRAPHIC W/FCE-2 ALL SIDES
TUBE-30-910	x8	910MM (35.82") X 30MM TUBE WITH E530 HOLES BOTH ENDS
PMFC2-90 CAP	x8	PMFC2 90 DEGREE EXTRUSION CAP
VE-80	x8	288MM (11.34") PH1 EXTRUSION WITH LOCKS BOTH SIDES
PE-1000	x4	1000MM (39.38") PE EXTRUSION



Overhead view



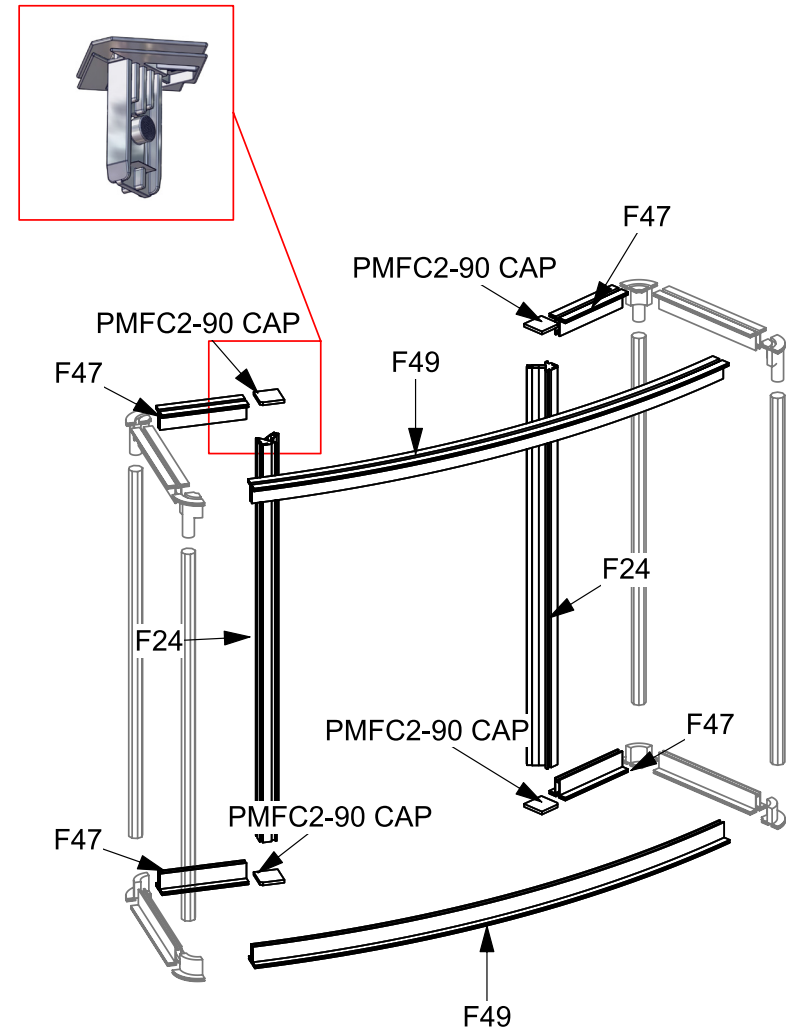
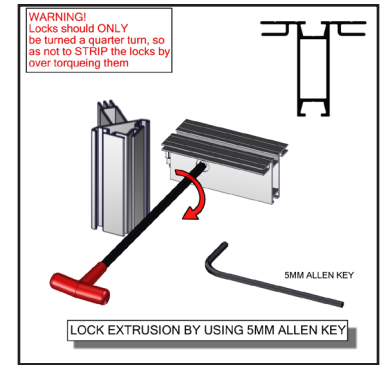
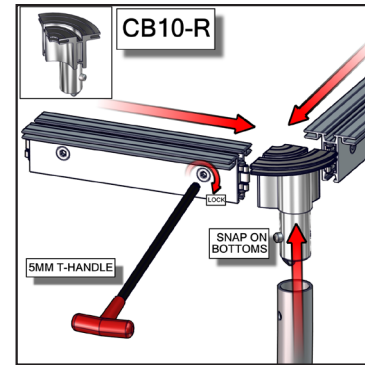
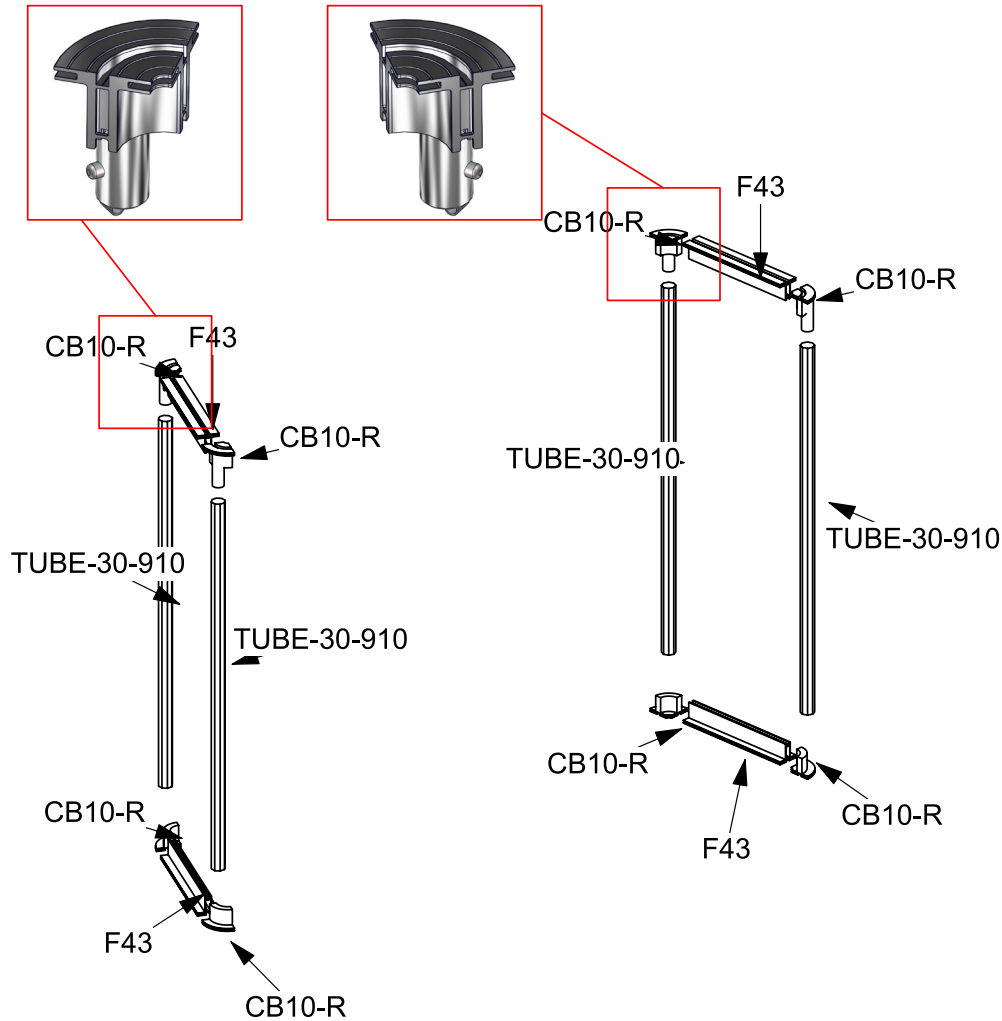
Assembled view



Exploded view

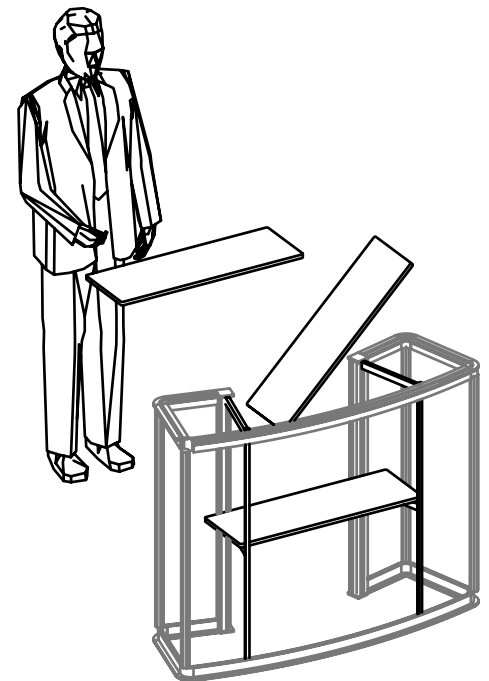
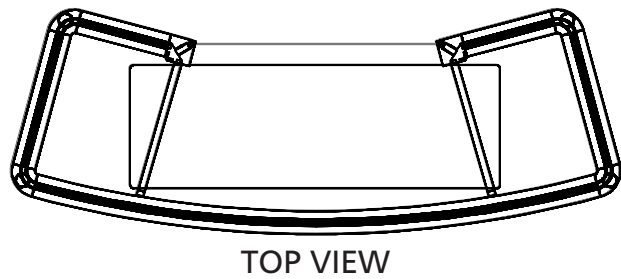
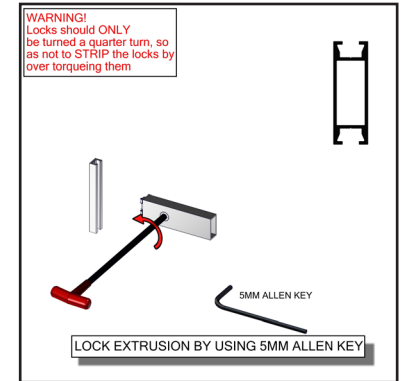
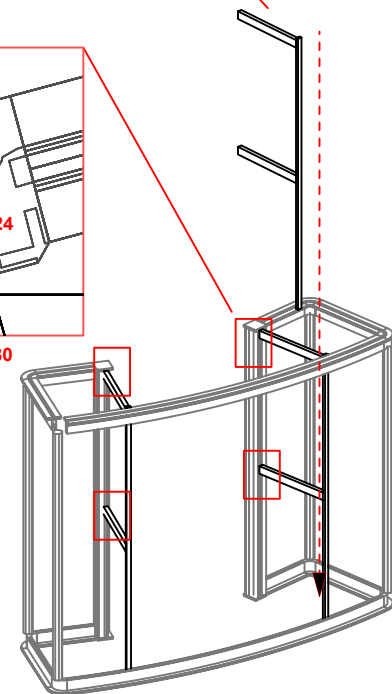
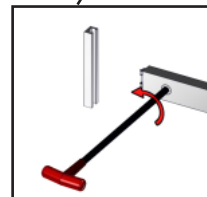
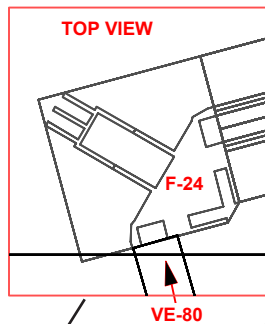
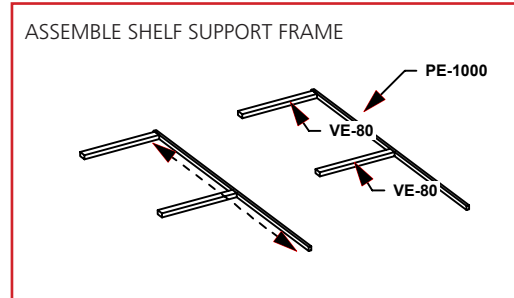
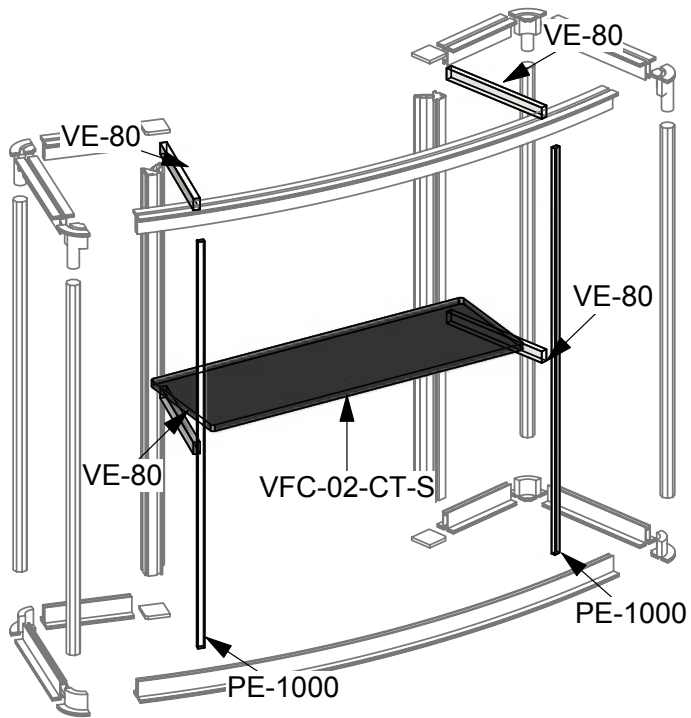
Step 1: Assemble Counter Frame

Arrange pieces on the floor as shown in the diagram below. Assemble frame sides by securing F43 and TUBE-30-910 to CB10-R. Continue frame assembly by locking F47, F49 and F24s to the extrusion. When locking be sure to turn each cam a little bit and then go back and tighten to the proper tension. Take care to turn locks only a quarter turn, so as to not strip the locks by over tightening.



Step 2: Install Internal Shelf

Assemble shelf support frame by securing VE-80 to PE-1000 extrusion. With VE-80 secured to PE-1000, slide PE-1000 into counter frame as shown below. Lock each frame to F-24 using Allen Key. Install internal shelf (VFC-02-CT-S) on top of VE-80s.



Step 3: Apply Graphics & Attach Countertop

Apply push-fit fabric graphic(s) by pressing the FCE-2 edge of graphic into the channel of the extrusion. Start in upper left corner, go across the top and then down the sides to the bottom. Repeat for each side. Assure each graphic is tightly inserted. When taking graphics off, take care to gently pull by attached pull tab. Next, gently place the countertop onto the completed frame. Lock countertop into place using Hex Key.



Push fabric with FCE-2 edge folded over into each corner of frame (1-4).



Press into the middle of the outside channel (5-8) and continue around perimeter.



To remove graphic, use the pull tab and gently pull graphic from frame.

