

Vector Frame Kit 02

VF-K-02

Stand apart from the competition with a clean, sophisticated 10' x 10' or 10' x 20' Vector Frame™ exhibit kit. These graphic mural kits feature square-corner 50mm extrusion frames and push-fit fabric graphics that cover the entire frame. Vector Frame Essential kits are easy to assemble and disassemble.



features and benefits:

- 50mm silver extrusion frame
- Single-sided SEG dye-sublimated fabric graphics
- Easy step-by-step instructions
- Kit includes frame, five fabric graphics, three 120 watt floodlights, two wheeled molded cases, and one enclosed fabric graphic counter
- Lifetime hardware warranty against manufacturer defects

dimensions:

Hardware	Graphic
<p>Assembled unit: 114.65" w x 94.5" h x 16.18" d 2912.11mm(w) x 2400.3mm(h) x 410.972mm(d)</p> <p>Counter: 39.37" w x 36.61" h x 22.44" d approx. 999.998mm(w) x 929.984mm(h) x 569.976mm(d)</p>	<p>Total visual area: Panels A & E: 39.04" w x 94.375" h 992mm(w) x 2397mm(h)</p> <p>Panels B & D: 13.851" w x 94.375" h 352mm(w) x 2397mm(h)</p> <p>Panel C: 35.7" w x 94.5" h 907mm(w) x 2400mm(h)</p>
<p>Shipping</p> <p>Shipping dimensions - ships in 2 cases: 1 OCH2 case: 52" l x 30" w x 15" h 1320.8mm(l) x 762mm(w) x 381mm(h)</p> <p>1 OCE case: 40" l up to 60" l x 18" w x 18" h 1016mm up to 1524mm(l) x 457.2mm(w) x 457.2mm(h)</p> <p>Approximate shipping weight (entire kit): 167.8 lbs / 76 kgs</p>	<p>Counter panels Panels A & C: 39.24" w x 35.31" h 997mm(w) x 897mm(h)</p> <p>Panels B & D: 21.52" w x 35.31" h 547mm(w) x 897mm(h)</p> <p>Please be sure to include a 2" bleed around the perimeter.</p> <p>Refer to related graphic templates for more information</p>

additional information:

Graphic material:
Dye-sublimated fabric

Tabletop color options:



silver black mahogany natural

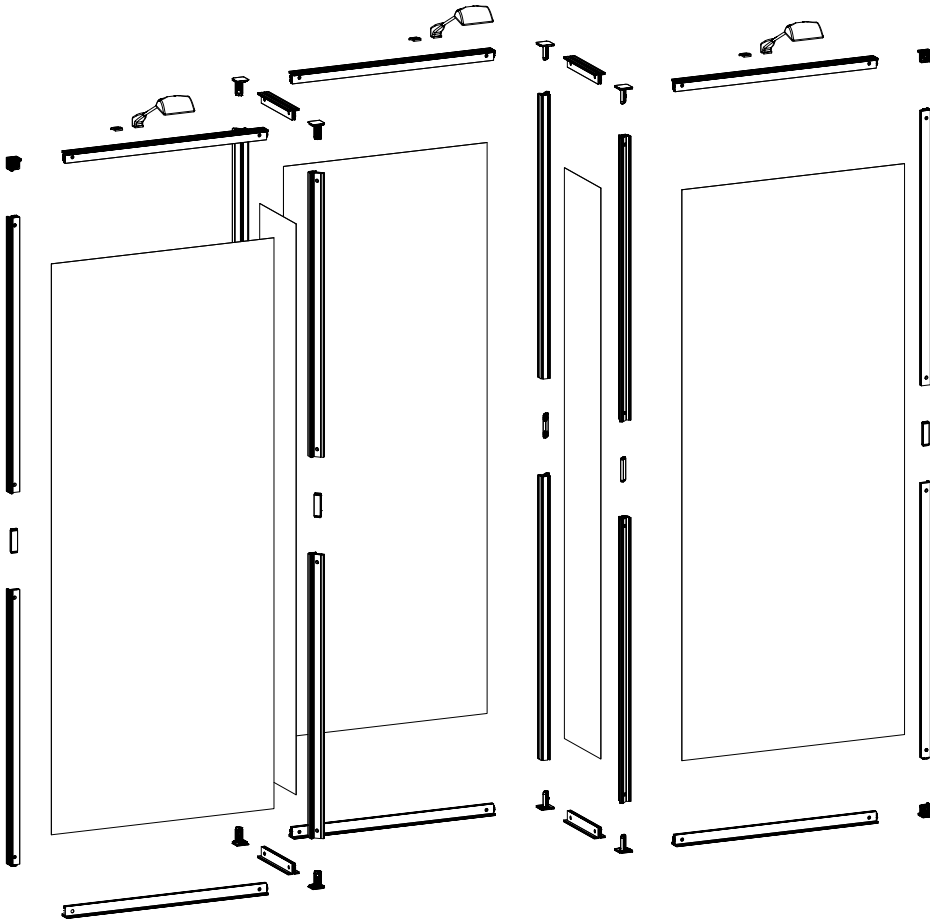
Counter holds max weight 100 lbs / 45.4 kg

Lights Included:
Lumina 200 120 watt floodlight, curved arm, black finish, 19.5" from end to end

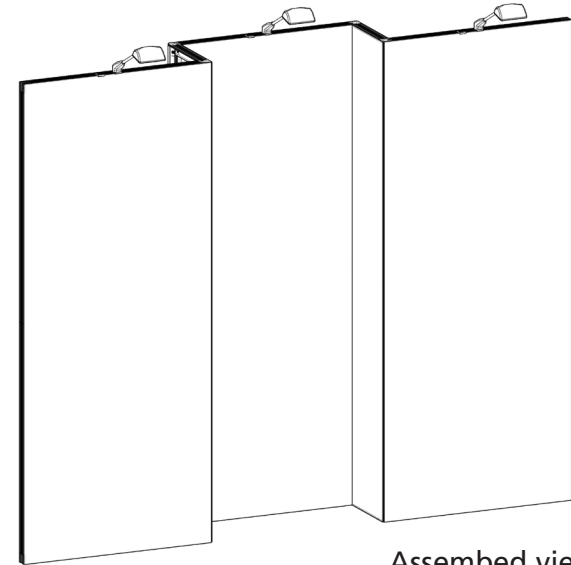
We are continually improving and modifying our product range and reserve the right to vary the specifications without prior notice. All dimensions and weights quoted are approximate and we accept no responsibility for variance. E&OE. See Graphic Templates for graphic bleed specifications.

Parts Included:

Code	Qty	Description
VF-K-02-A-G	x1	995MM (39.173")W X 2400MM (94.5")H FABRIC GRAPHIC W/FCE-2 ALL SIDES
VF-K-02-B-G	x1	355MM (13.976")W X 2400MM (94.5")H FABRIC GRAPHIC W/FCE-2 ALL SIDES
VF-K-02-C-G	x1	910MM (35.827")W X 2400MM (94.5")H FABRIC GRAPHIC W/FCE-2 ALL SIDES
VF-K-02-D-G	x1	355MM (13.976")W X 2400MM (94.5")H FABRIC GRAPHIC W/FCE-2 ALL SIDES
VF-K-02-E-G	x1	995MM (39.173")W X 2400MM (94.5")H FABRIC GRAPHIC W/FCE-2 ALL SIDES
IB2	x6	PH INLINE CONNECTOR
CB9-S	x4	50MM SQUARE PHCF2 CORNER BRACKET
LUM-200-ORL-B	x3	BLACK 200W HALOGEN LIGHT FIXTURE ETL APPROVED
LN-3P-LT-FXT	x3	LINEAR LIGHT FIXTURE HOLDER
F34	x4	1155MM LENGTH OF PHFC2 EXTRUSION - WITH IB2 LOCK HOLES ONE SIDE - CAM LOCKS ONE SIDE
F43	x4	300MM LENGTH OF PHFC2 EXTRUSION - WITH CAM LOCK BOTH ENDS
F38	x6	900MM LENGTH OF PHFC2 EXTRUSION - WITH CAM LOCKS BOTH ENDS
F22	x8	1193MM LENGTH OF PMFC2-90 EXTRUSION - WITH IB2 LOCK HOLES BOTH SIDES
PMFC2-90-CAP	x8	PMFC2-90 CAP



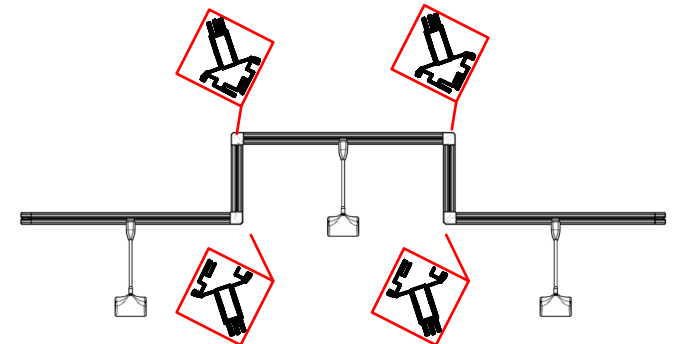
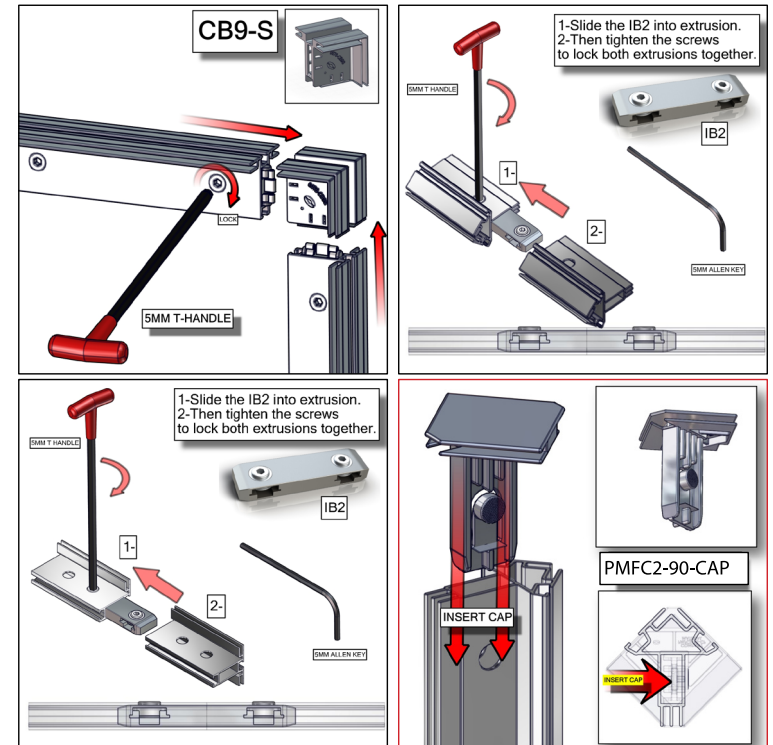
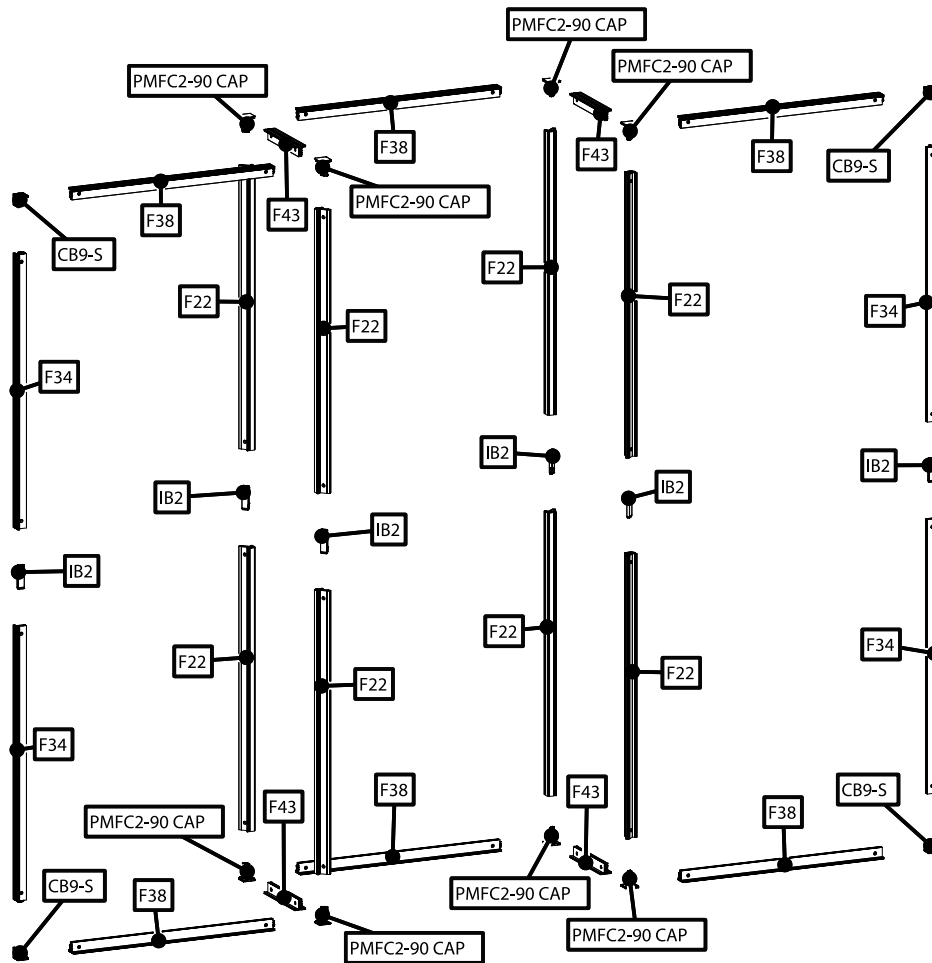
Exploded view



Assembled view

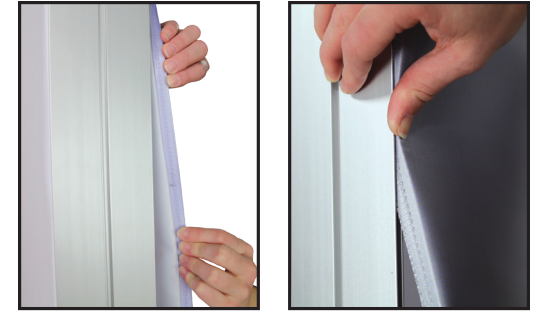
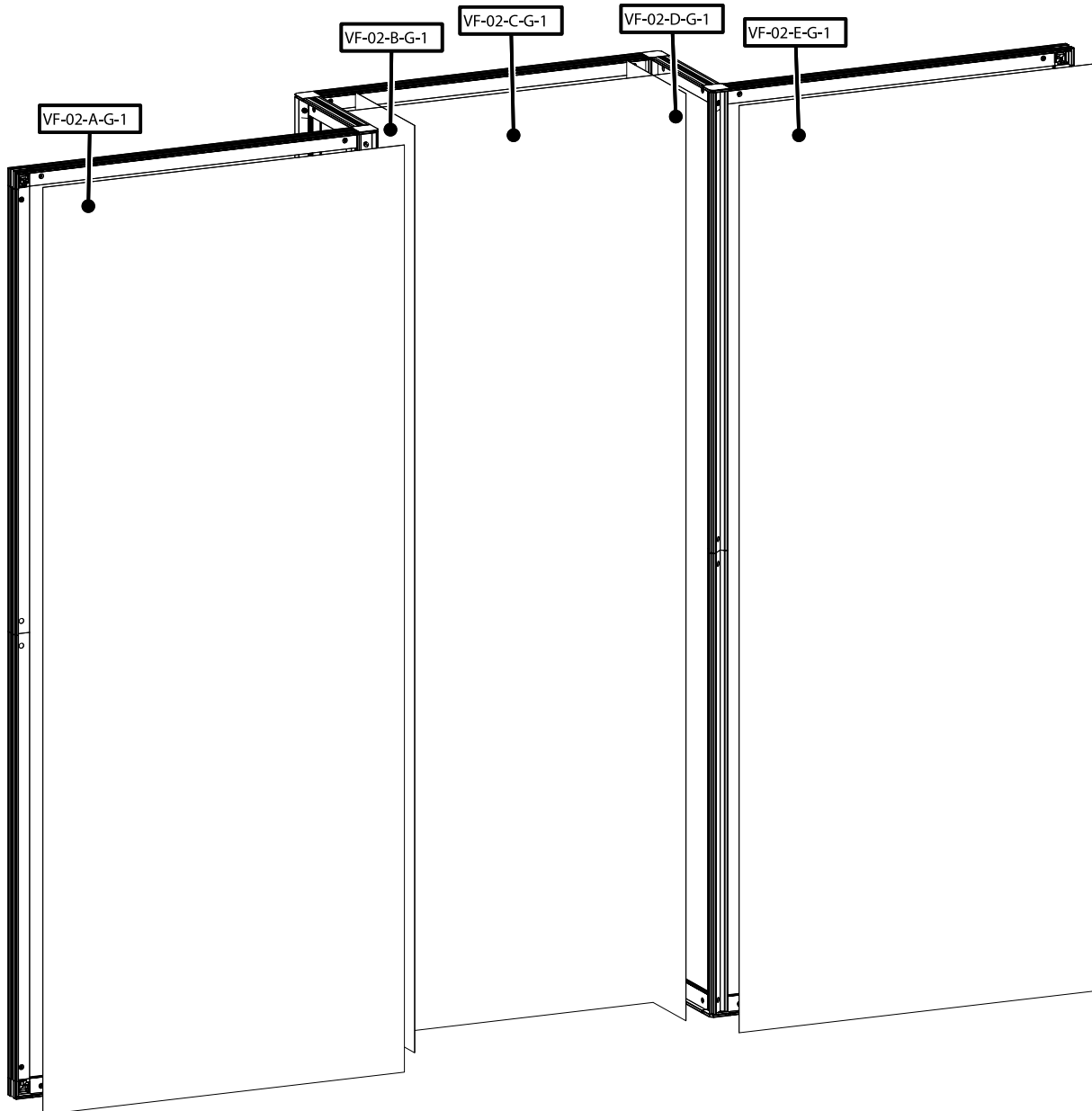
Step 1: Assemble Frame

Arrange pieces on the floor as shown in the diagram below. Assemble frame by securing CB9-S to the F38, F34, F43 and F22s. When locking be sure to turn each cam a little bit and then go back and tighten to the proper tension. Take care to turn locks only half a turn. Slide the IB2 into the extrusion to connect sides. Tighten to the proper tension to lock extrusions together.

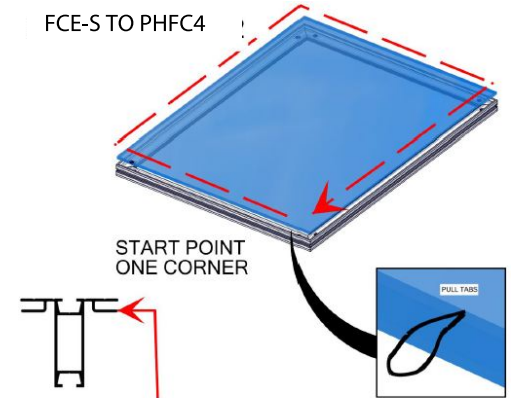


Step 2: Apply Graphics

Install graphic(s) by pressing the FCE-2 edge of graphic into the channel of the extrusion. Start in upper left corner then attach all other corners. Once corners are attached go along each side. Assure each graphic is tightly inserted. When taking graphics off, take care to gently pull by attached pull tab.

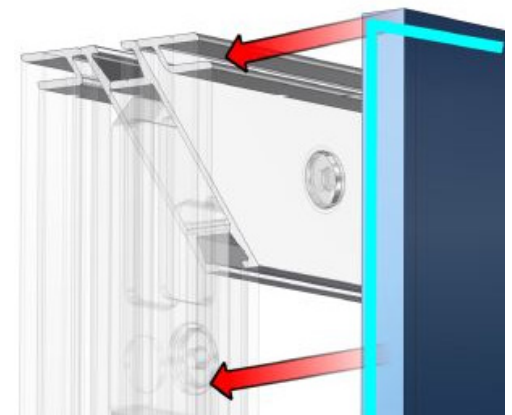


FCE-S TO PHFC4



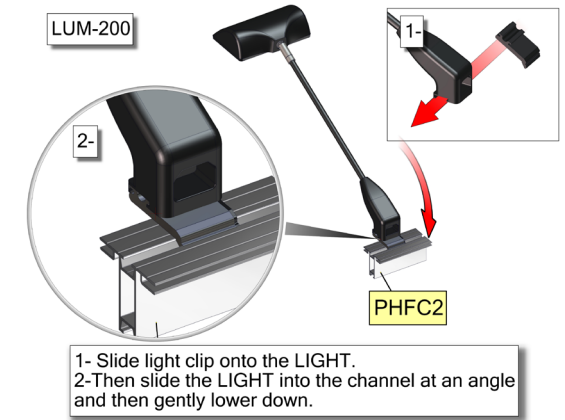
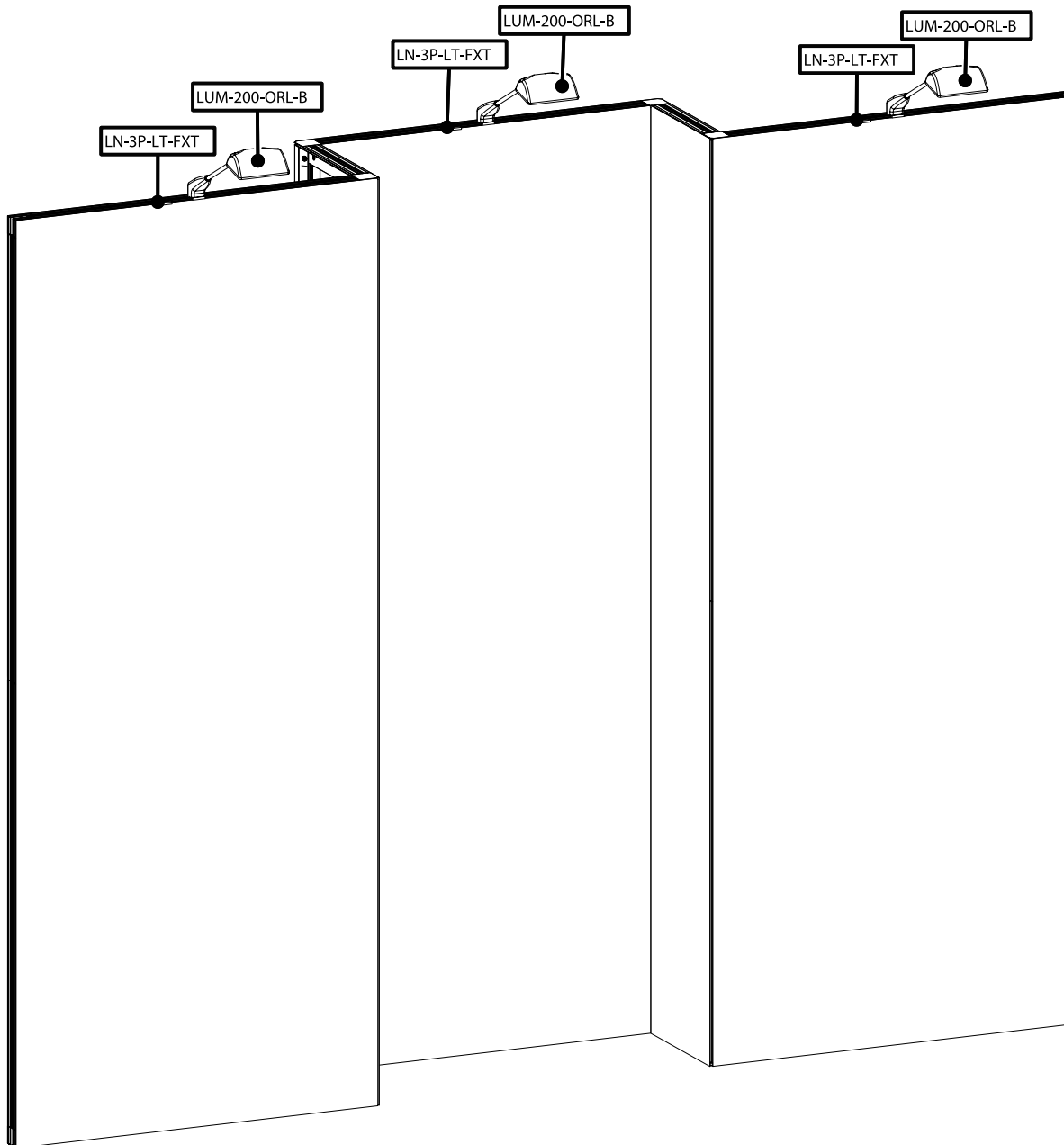
Install graphic by pressing the FCE-2 into the channels of PHFC2 extrusion. To pull graphics out of the channels, use tabs on the front side

FCE-S TO PHFC4



Step 3: Attach Lights

Slide light clip onto each light. Then slide light into the extrusion channel at an angle and gently lower down and repeat for each light.



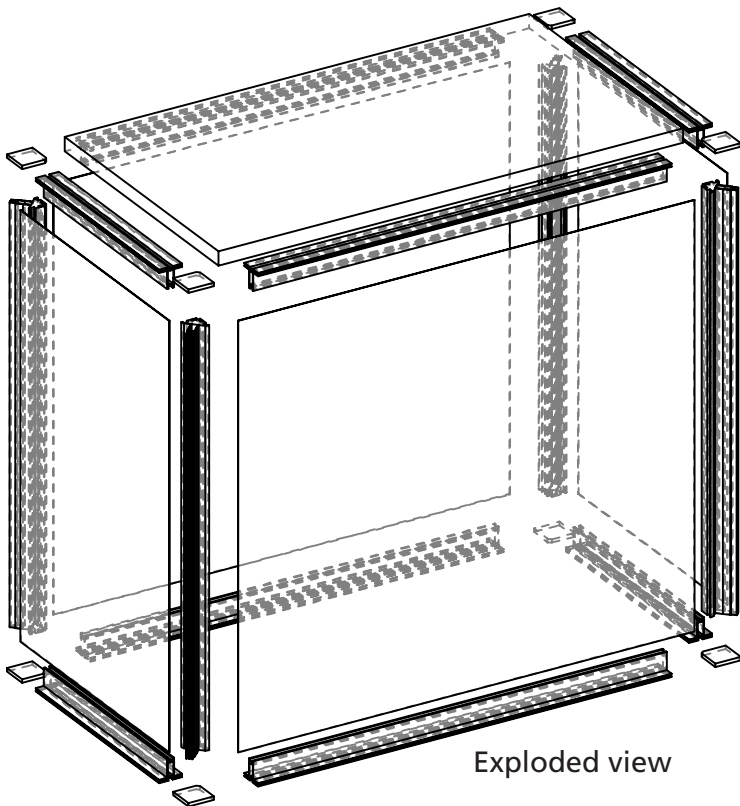
Parts Included:

Code	Qty	Description
F41	x4	450MM (17.72") PHFC2 EXTRUSION WITH LOCKS TWO ENDS
F57	x4	886MM (34.88") PMFC2-90 EXTRUSION - WITH IB2 LOCK HOLES BOTH SIDES
PMFC2-90 CAP	x8	PMFC2 90 DEGREE EXTRUSION CAP
F37	x4	900MM (35.43") PHFC2 EXTRUSION WITH LOCKS TWO ENDS
VFC-S-G-1	x2	543MM (21.37")W X 1000MM (39.38")H FABRIC GRAPHIC W/FCE-2 ALL SIDES
VFC-F-G-1	x2	993MM (39.09")W X 1000MM (39.38")H FABRIC GRAPHIC W/FCE-2 ALL SIDES
SW-CT-01	x1	COUNTERTOP FOR VECTOR COUNTER

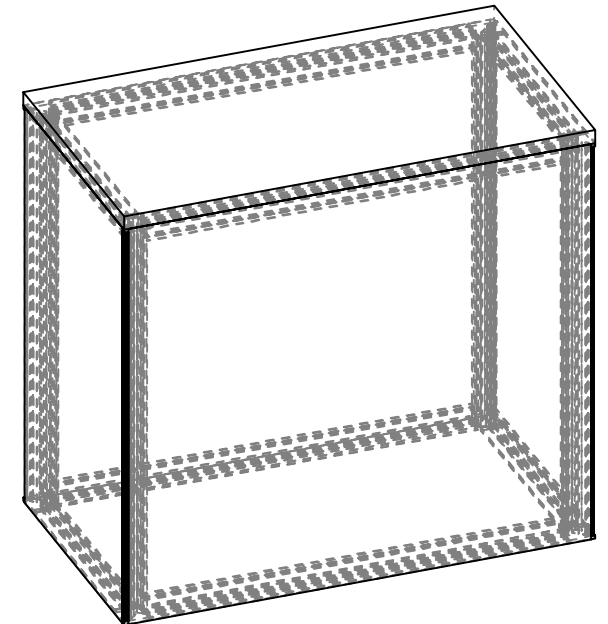
VFC-01



Overhead view



Exploded view

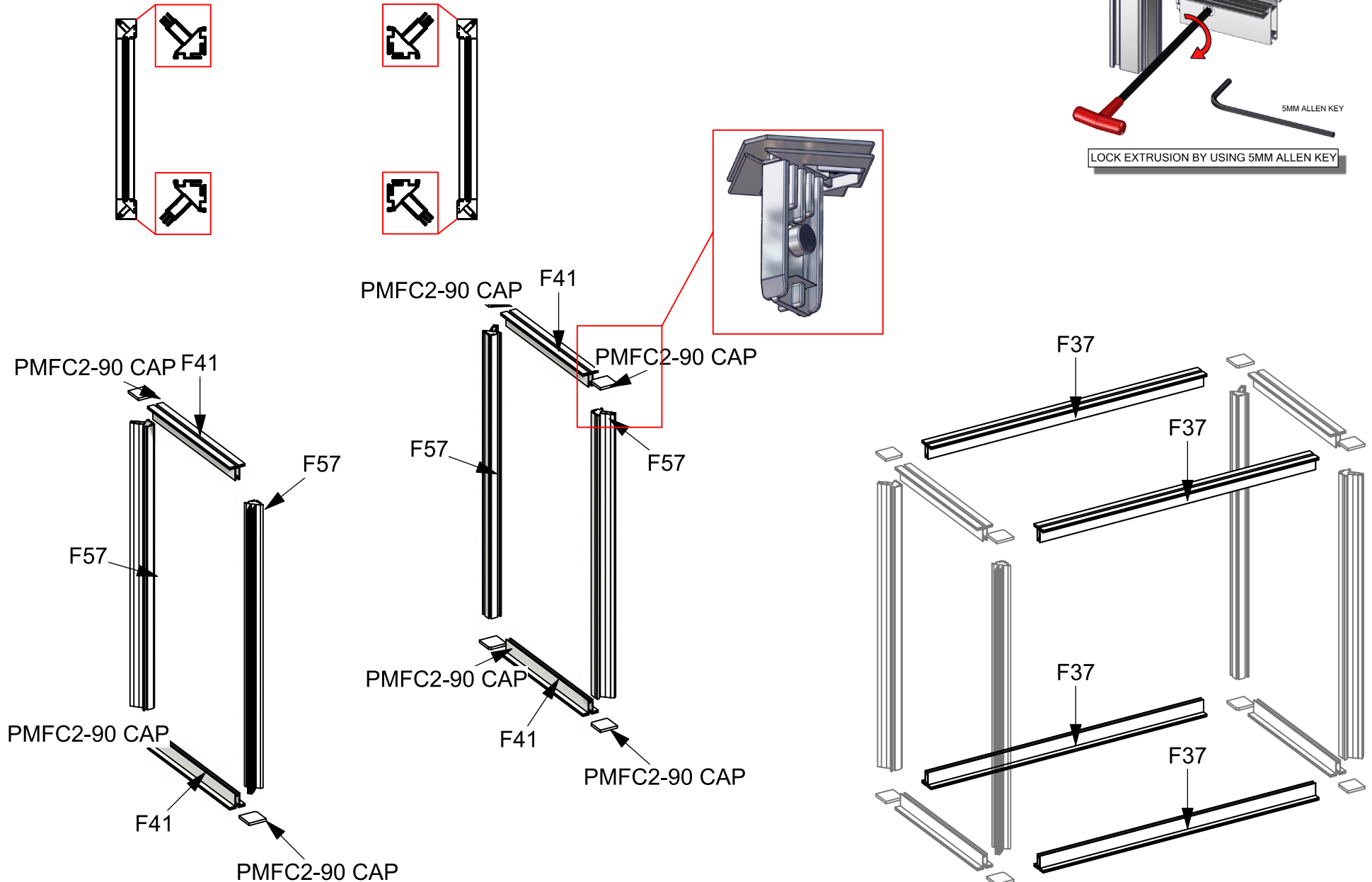
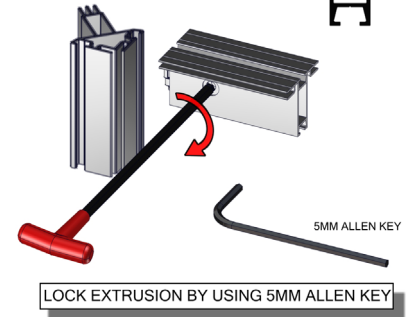


Assembled view

Step 1: Assemble Counter Frame

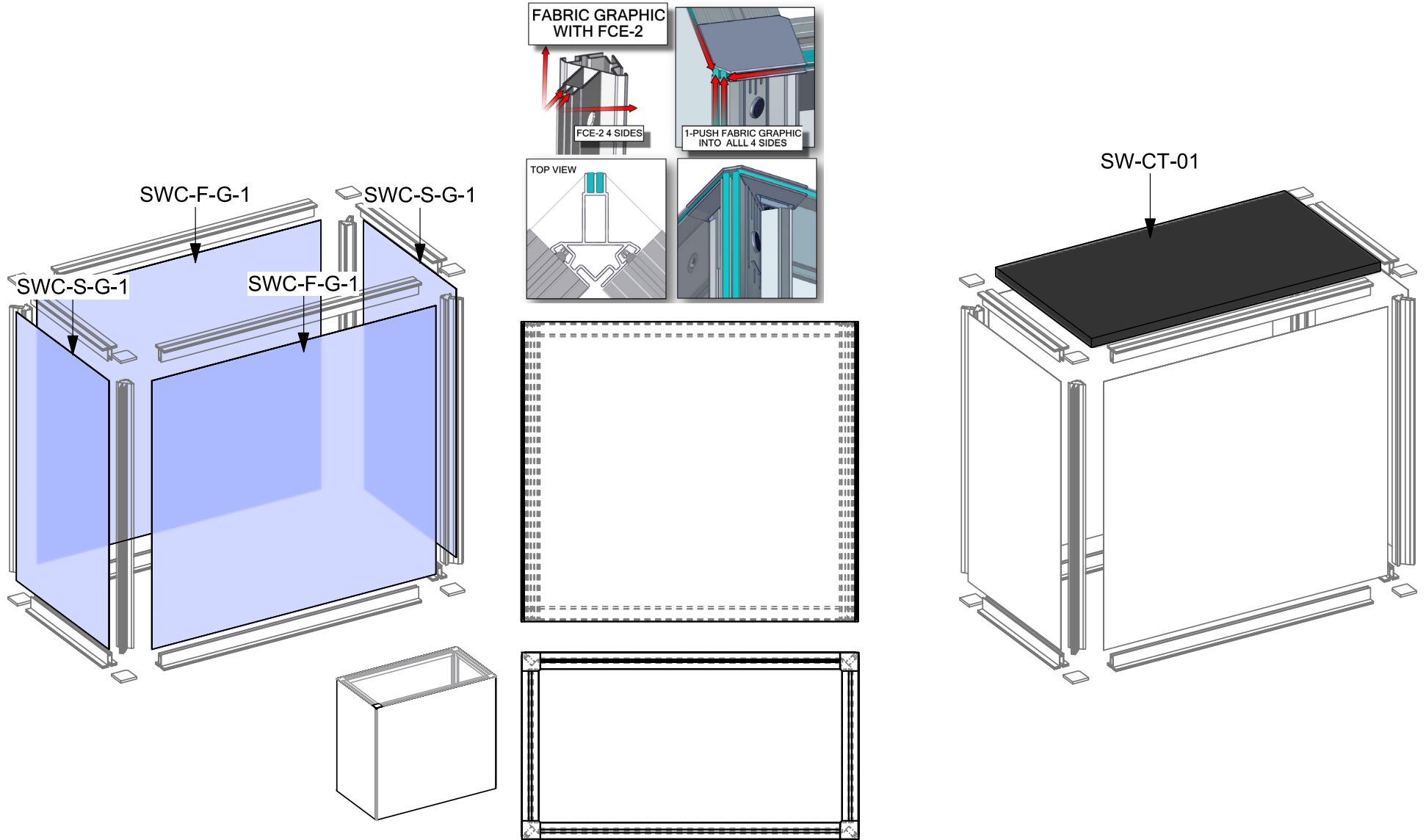
Arrange pieces on the floor as shown in the diagram below. Assemble frame by locking F37 and F41 to the F57s. When locking be sure to turn each cam a little bit and then go back and tighten to the proper tension. Take care to turn locks only a quarter turn, so as to not strip the locks by over tightening.

WARNING!
Locks should ONLY be turned a quarter turn, so as not to STRIP the locks by over torquing them



Step 2: Apply Graphics & Attach Countertop

Apply push-fit fabric graphic(s) by pressing the FCE-2 edge of graphic into the channel of the extrusion. Start in upper left corner, go across the top and then down the sides to the bottom. Repeat for each side. Assure each graphic is tightly inserted. When taking graphics off, take care to gently pull by attached pull tab. Next, gently place the countertop onto the completed frame.



Check out these related products:



Vector Frame Kit 01



Vector Frame Kit 02



Vector Frame Kit 03



Vector Frame Kit 04



Vector Frame Kit 05



Vector Frame Kit 06



Vector Frame Kit 07



Vector Frame Kit 08