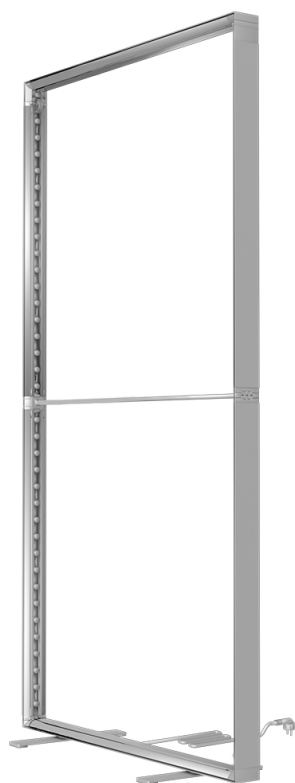


VERSALUME COLLAPSIBLE LIGHTBOX

VERSALUME LIGHTBOXES
PRODUCT CODE: VERSA-LB



HARDWARE ONLY

PRODUCT DESCRIPTION

The VersaLume Collapsible Lightbox is a sleek, illuminated display system designed for fast setup and impactful brand presentation. Constructed with a durable 80mm silver anodized aluminum frame, the system features integrated LED edge lighting that produces bright, even illumination across the entire graphic surface. Its innovative folding design allows the display to set up and collapse in seconds, making it an ideal solution for trade shows, retail environments, events, and portable marketing displays.

Graphics are printed using dye sublimated Silicone Edge Graphics (SEG) fabric, delivering vibrant color and a smooth, frameless appearance. SEG graphics install quickly by pressing the silicone edge into the frame channel for a tight, wrinkle-resistant finish. The display is available in single-sided or double-sided configurations: single-sided units include a printed front graphic with a blackout back panel to prevent light bleed, while double-sided options feature graphics on both sides for visibility from multiple directions.

Designed for versatility, the VersaLume product line offers both freestanding displays and counter configurations to suit a variety of exhibit layouts. Each hardware kit includes a travel bag for convenient storage and transport, making VersaLume a professional, portable backlit display solution that combines premium illumination, quick assembly, and modern design.

DISPLAY DIMENSIONS	41.4"W x 78.75" H x 16"D
GRAPHIC MATERIAL	Dye Sub Backlit Fabric
POWER OUTLETS	Requires 1 Standard Power Outlet

GRAPHIC FINISHING

12mm x 3mm silicone beading is sewn around the perimeter of the fabric graphic (Silicone Edge Graphic - SEG). Silicone beading is hidden from view once installed. A pull tab is added to a bottom corner to help with graphic removal.

DISPLAY CONSTRUCTION

80mm wide aluminum profile frame with plastic components. LED edge lights line the inside of the vertical profiles with the transformer mounted to the bottom profile. The transformer is concealed by an aluminum plate cover for a clean, finished appearance.

SHIPPING WEIGHTS & DIMENSIONS

Shipping Weight	25 lbs Single Graphic Package 25 lbs Double Graphic Package 21 lbs Hardware Only 2 lbs Graphic Only
Shipping Dimensions	47.25" x 6.5" x 9.75" - Graphic Package 47.25" x 6.5" x 9.75" - Hardware Only Polybag - Graphic Only



TRAVEL BAG

VERSALUME COLLAPSIBLE LIGHTBOX

VERSALUME LIGHTBOXES
PRODUCT CODE: VERSA-LB

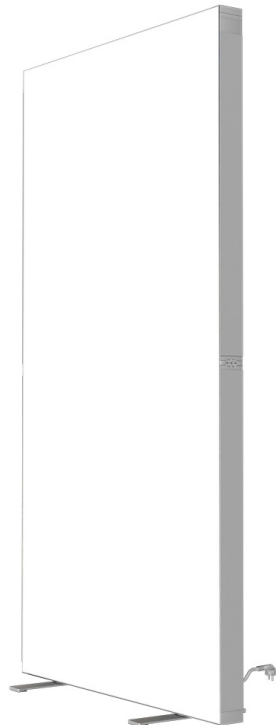
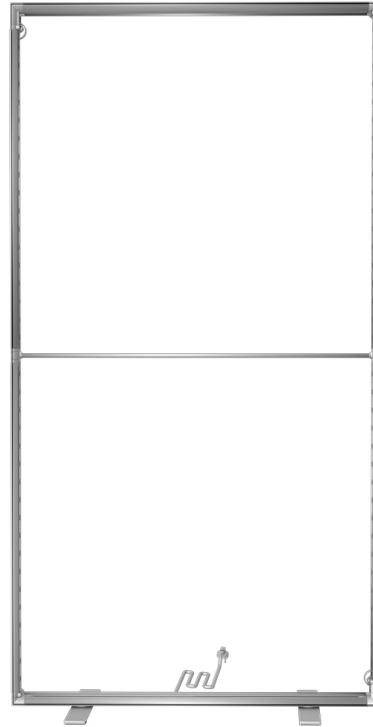
SINGLE
SIDED

DOUBLE
SIDED

INDOOR
USE



ADDITIONAL IMAGES



BACKSIDE
SINGLE SIDED



BACKSIDE
DOUBLE SIDED

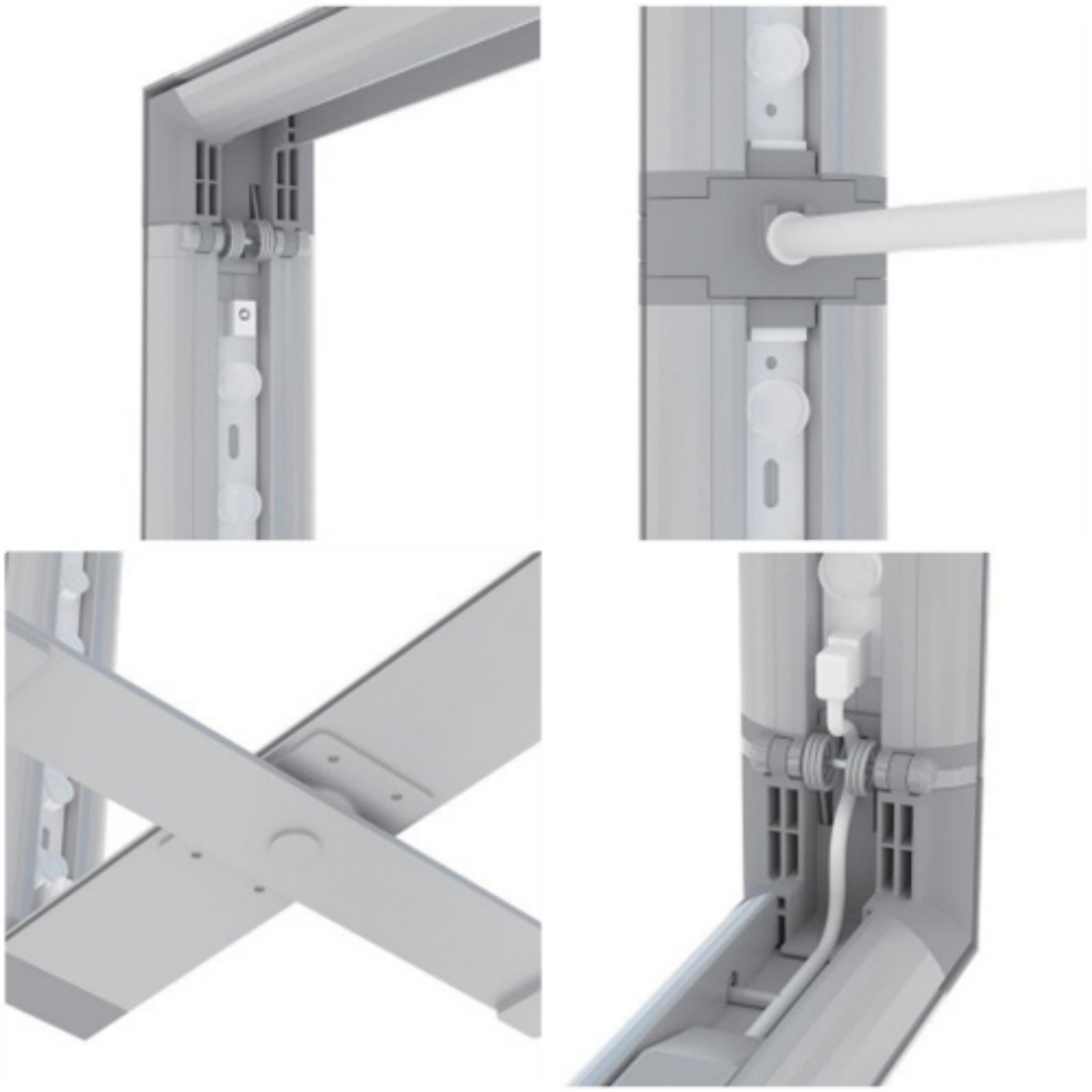
VERSALUME COLLAPSIBLE LIGHTBOX

VERSALUME LIGHTBOXES
PRODUCT CODE: VERSA-LB

SINGLE
SIDED

DOUBLE
SIDED

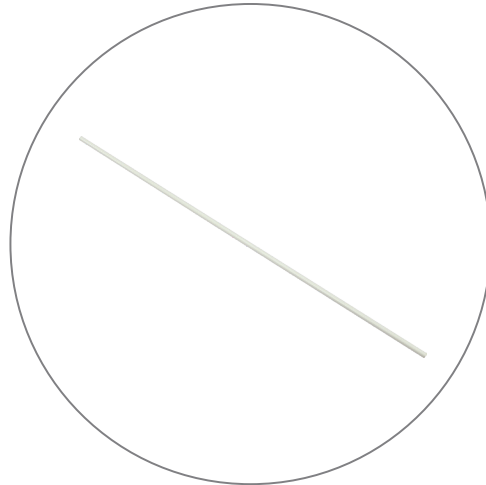
INDOOR
USE



PARTS LIST



(qty 1) VersaLume
Lightbox Frame



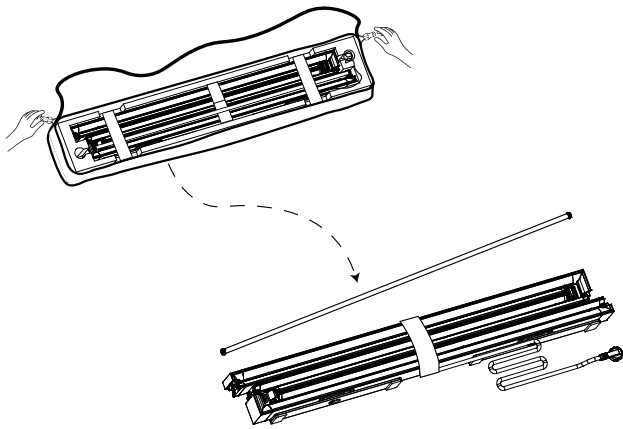
(qty 1) Support Strut



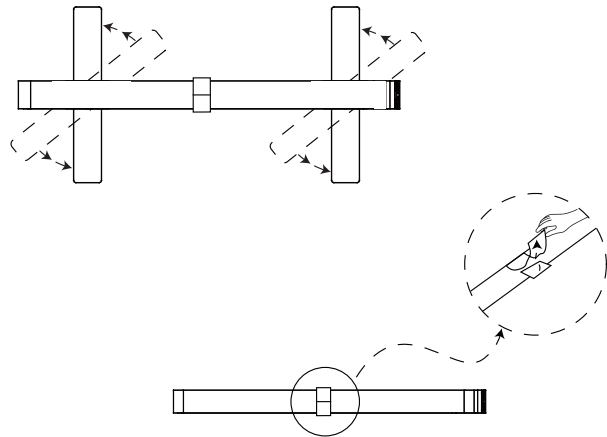
(qty 1) Travel Bag

SET UP INSTRUCTIONS

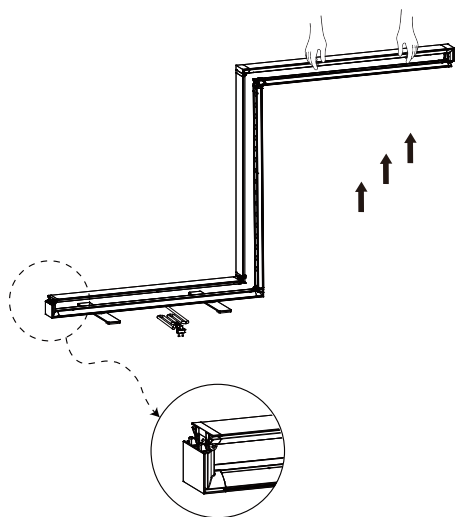
STEP 01



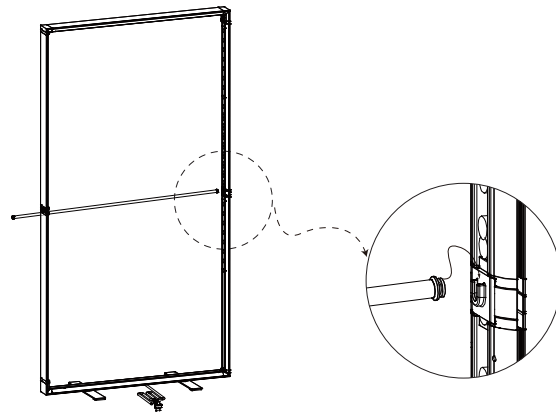
STEP 02



STEP 03



STEP 04



VERSALUME COLLAPSIBLE LIGHTBOX

VERSALUME LIGHTBOXES
PRODUCT CODE: VERSA-LB

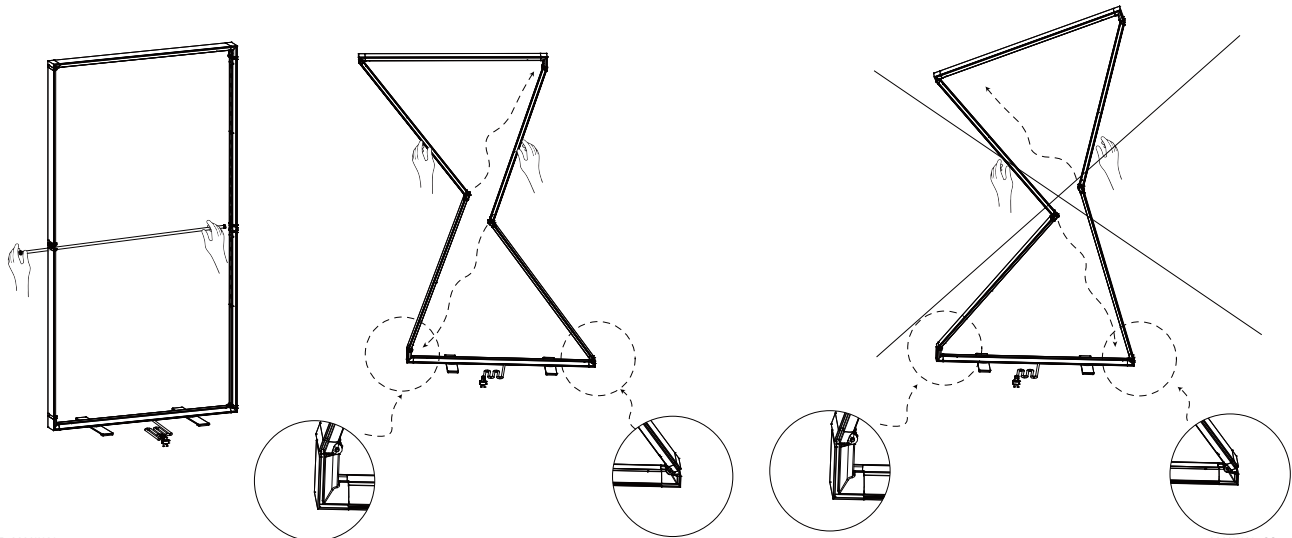
SINGLE
SIDED

DOUBLE
SIDED

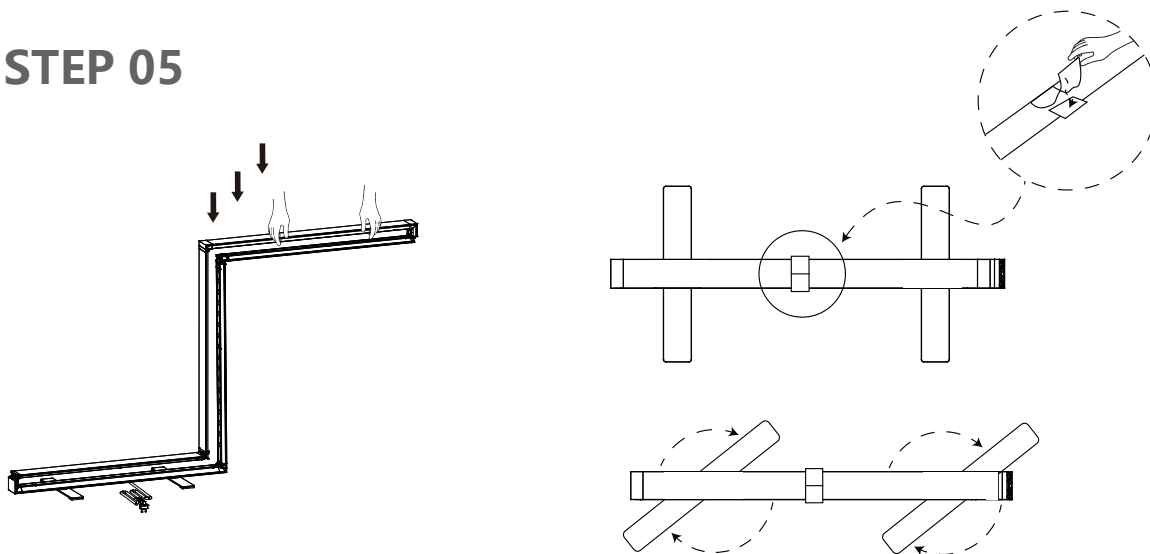
INDOOR
USE



STEP 05

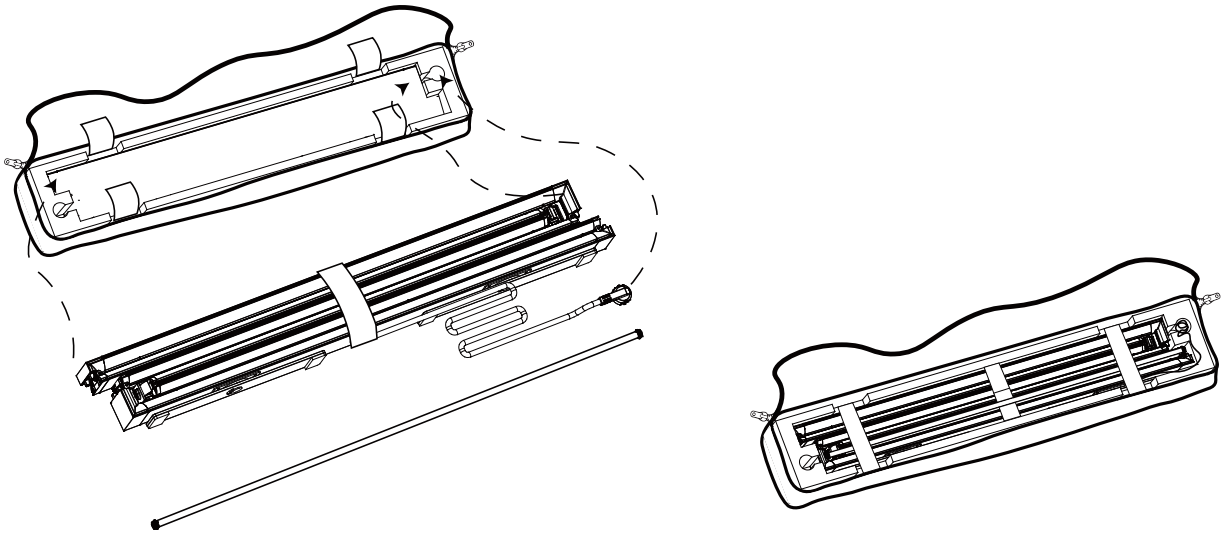


STEP 05



TRAVEL BAG STORAGE

STEP 05



LED & TRANSFORMER SPECS

LED LIGHTING	
Strip Type	940mm Strip 18 LED/pc
Power/Strip	22W/Strip
Working Voltage	24V
Power/LED	1.2W/LED
Color Temp	6000-7000 Cool White
Beam Distance	>1.2m
Strip qty	4pcs

TRANSFORMER	
Power	150W
Input Voltage	110-24V
Output Voltage	24V
Color	White
Certifications	UL & CE Listed
Power Outlets	1 Required

