

SEGO 3X2.25

SEGO MODULAR LIGHTBOXES
PRODUCT CODE: SEGO-300X225X12



On frame On graphic



PRODUCT DESCRIPTION

The advanced technology of the new SEGO modular lightbox system combines innovation with intuition. Toolless down to its feet, SEGO is designed to help heighten your display experience. Magnetic electrical connectors light up the UL certified LED lights that come pre-installed in the profiles. Electrical wires stay hidden from view. Edge-to-edge customizable SEG backlit fabric graphics cover the front and back of the aluminum frame. Portable, configurable, desirable, SEGO is a lightbox unlike the others. SEGO is so well thought out, even its durable foam cut carry bag is made distinctly to keep all parts and pieces protected and organized.

DISPLAY DIMENSIONS	118"W x 88.25"H x 16.5"D
GRAPHIC SIZE	118.625"W x 88.625"H

GRAPHIC MATERIAL

Dye Sub Backlit Fabric

GRAPHIC FINISHING

Silicone beading sewn onto edge of graphic

DISPLAY CONSTRUCTION

Aluminum extrusion frame with plastic components

SHIPPING WEIGHTS & DIMENSIONS

Shipping Weight (Each Box - 2 boxes total)	55 lbs (frame only)
	60 lbs (frame & graphic)
Shipping Dimensions	54.5"W x 15.5"H x 6.75"D (each)

GRAPHIC TURN AROUND TIME

2 business days after proof approval (up to 5 sets)

AVAILABILITY	CA
--------------	----

LED LIGHT SPECIFICATION

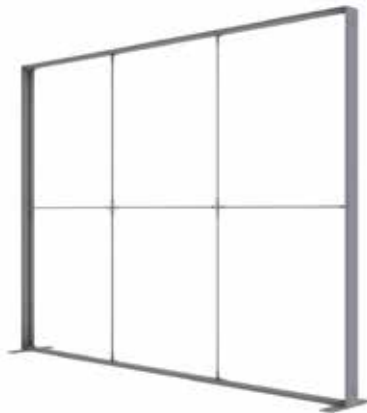
BRAND	Osram
POWER	3W
CCT (COLOR TEMP)	6800k
AVERAGE BEAM ANGEL	20°
LM/W	130
AVG LM/M ²	4800-5800
VOLTAGE INPUT	24V

LUMENS

VOLTAGE (V)	24
POWER (W)	270
LM/W	130
TOTAL LM	35100
AVG LM	5850
CU	.8
EAV	4680

TRANSFORMER SPECIFICATION

POWER RATE 2 TRANSFORMERS	95W, 252W
CERTIFICATES	UL, CE, GEM
VOLTAGE INPUT	100-240V
VOLTAGE OUTPUT	24V



SUPPORT CONNECTION



TOOL FREE CONNECTION



MAGNETIC WIRE CONNECTION



CLEAN CABLE MANAGEMENT

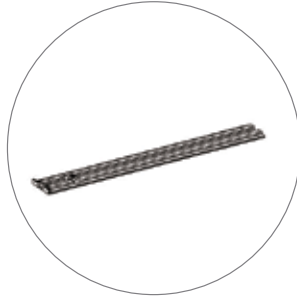


TOOL FREE FOOT CONNECTION

PARTS LIST



(qty 2)
Horizontal Profile L



(qty 2)
Vertical Profile Top



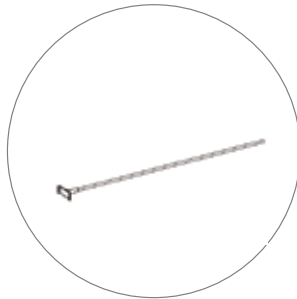
(qty 2)
Vertical Profile Bottom



(qty 2)
Horizontal Profile M



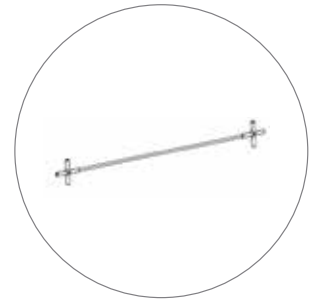
(qty 2)
Horizontal Profile R



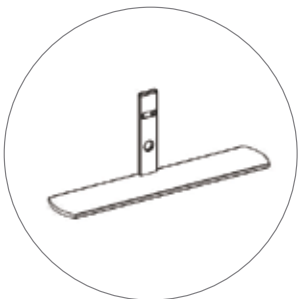
(qty 6)
Mid Pole



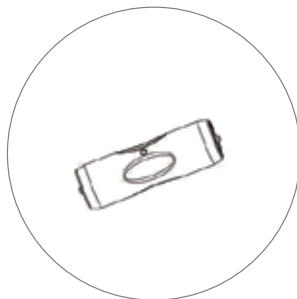
(qty 1)
S Cable



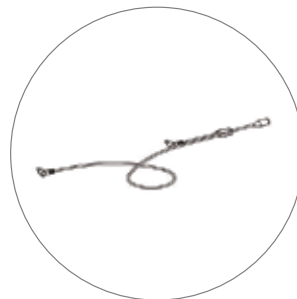
(qty 1)
Cross Mid Pole



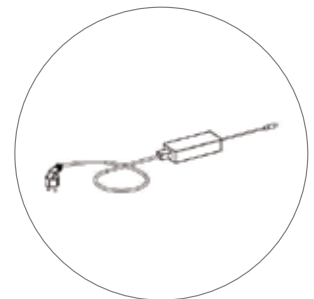
(qty 2)
Feet



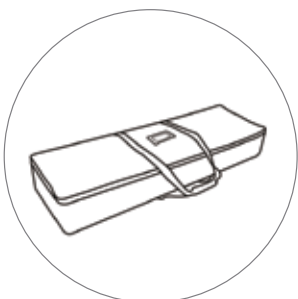
(qty 3)
LED Connector



(qty 1)
Y Cable

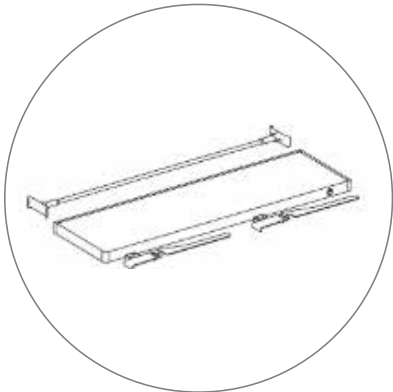


(qty 2)
Transformer

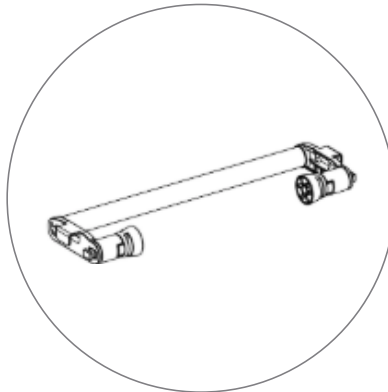


(qty 1)
Travel Bag

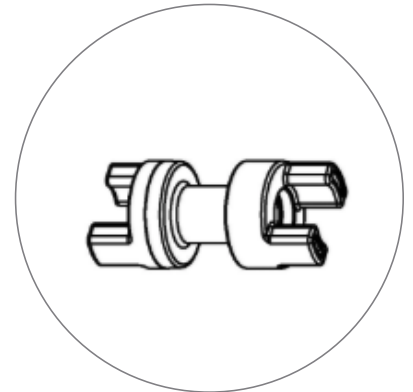
AVAILABLE ACCESSORIES



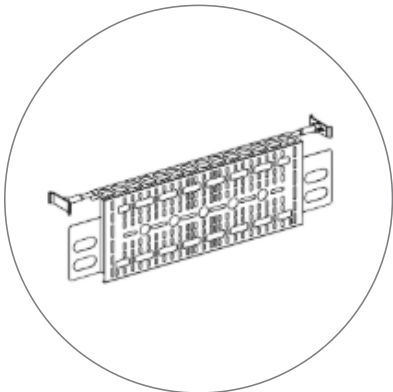
SEGO-SKIT
SEGO Shelf Kit



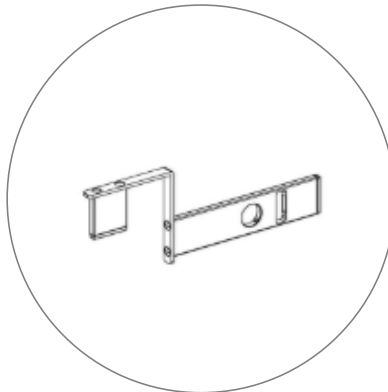
SEGO-HP
SEGO Hanging Pole for
Shelf Kit



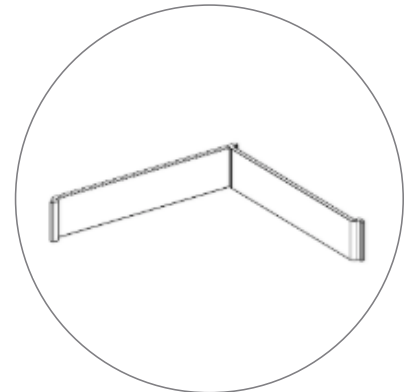
SEGO-SCON
SEGO Straight Connector



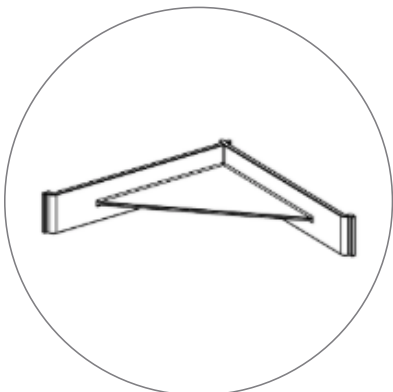
SEGO-MM
SEGO Monitor Mount



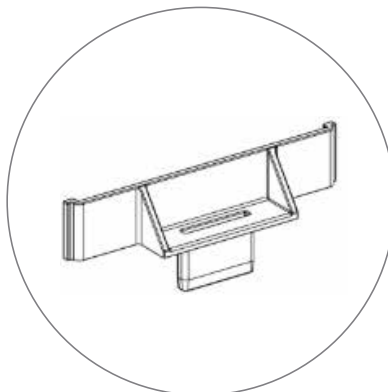
SEGO-BC
SEGO Bridge Connector



SEGO-ILCON
SEGO L Connector Inside



SEGO-OLCON
SEGO L Connector Outside



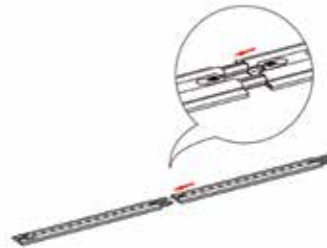
SEGO-HLCON
SEGO High-low Connector

SET UP INSTRUCTIONS

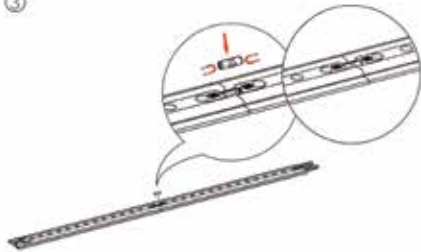
①



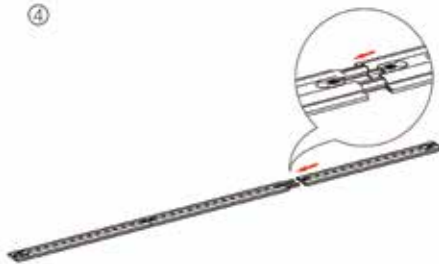
②



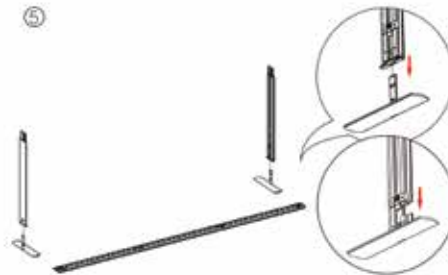
③



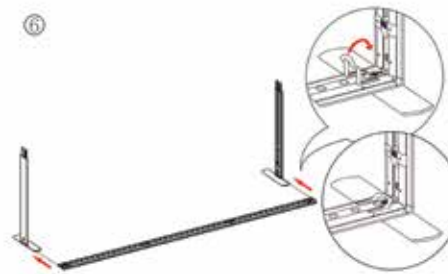
④



⑤



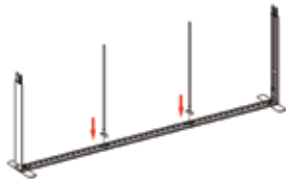
⑥



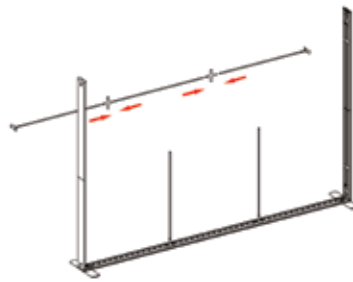
SEGO 3X2.25

SEGO MODULAR LIGHTBOXES
PRODUCT CODE: SEGO-300X225X12

7



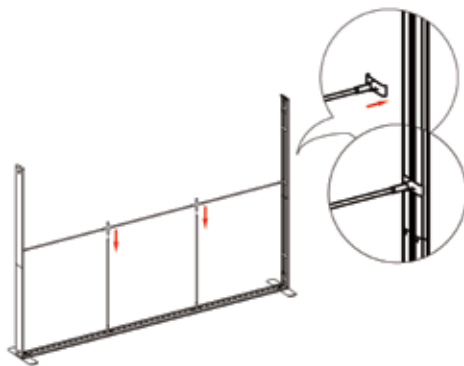
9



8



10



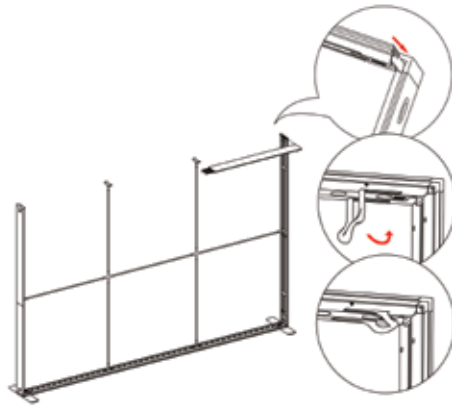
11



SEGO 3X2.25

SEGO MODULAR LIGHTBOXES
PRODUCT CODE: SEGO-300X225X12

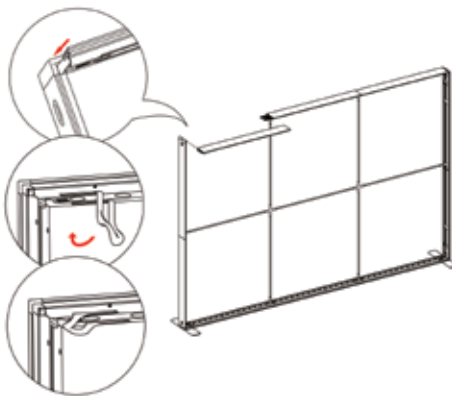
12



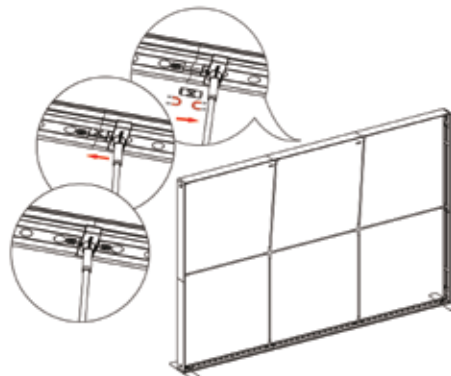
13



14



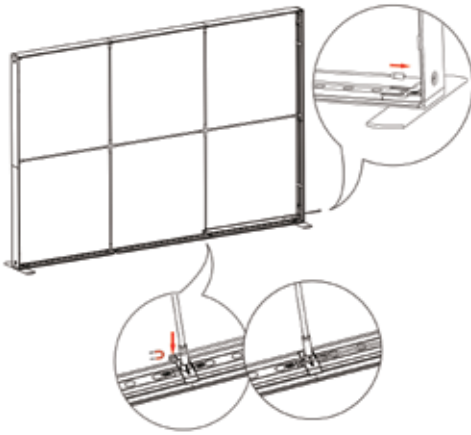
15



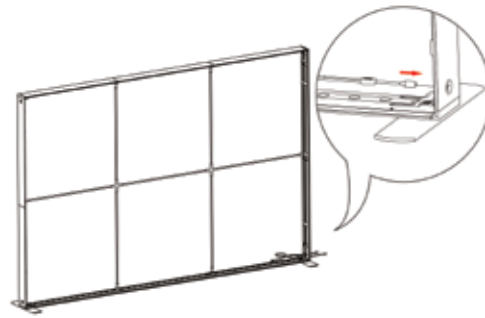
SEGO 3X2.25

SEGO MODULAR LIGHTBOXES
PRODUCT CODE: SEGO-300X225X12

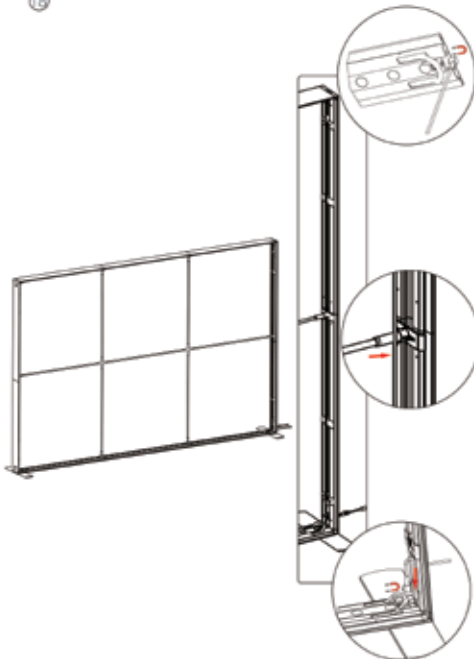
16



17



18



19

