

RPL COUNTER

RPL FABRIC POP UP DISPLAYS

PRODUCT CODE: RPLCNTR



On Frame

OnGraphic



Counter Top Folds
Includes Internal Shelf

PRODUCT DESCRIPTION

The RPL counter is a quick and simple solution for a portable countertop with fabric graphic displaying capabilities. Simply pop up the accordion style frame and connect the plastic locks. The front dye sub fabric graphic remains attached to the frame, so you only need to secure the end caps to the sides of the counter. The included countertop and inner shelf are made of durable MDF and feature a black woodgrain style finish. An optional dye sub fabric graphic can be added to the backside to fully enclose the display (Back graphic must be installed last once frame, front graphic, countertop, and shelf have been set up) The main front graphic with end caps is attached with 2" loop velcro, so it is very easy to change your message at different events. The counter top is hinged so it can fold and pack down into the included travel bag with carry handles.

DISPLAY DIMENSIONS	34"W x 34"H x 12.5"D
FRONT GRAPHIC SIZE	58"W x 34.125"H - Includes End Caps
BACK GRAPHIC SIZE	33.5"W x 34.125"H

GRAPHIC MATERIAL

Stretch Fabric (INV-FAB-STRETCH)

GRAPHIC FINISHING

2" loop velcro sewn around the back perimeter of front graphic. Front graphic and end caps are attached. Back graphic has 2" loop velcro around back perimeter and is separate from front graphic. All stitching is performed with clear thread.

DISPLAY CONSTRUCTION

Aluminum X rods with plastic hubs and connectors. 2" hook velcro strip around front face of frame.

SHIPPING WEIGHTS & DIMENSIONS

Shipping Weight	19 lbs (Graphic Package)
	17 lbs (Hardware Only)
	2 lbs (Graphic Only - Front)
Shipping Dimensions	1 lbs Graphic Only - Back)
	36.25"L x 13.75"W x 7"H (Graphic Package)
	36.25"L x 13.75"W x 7"H (Hardware Only)
	Poly Bag (Graphic Only)

GRAPHIC TURN AROUND TIME

2 business days after proof approval for up to 2 sets

COUNTER WEIGHT CAPACITY	40 lbs
SHELF WEIGHT CAPACITY	20 lbs

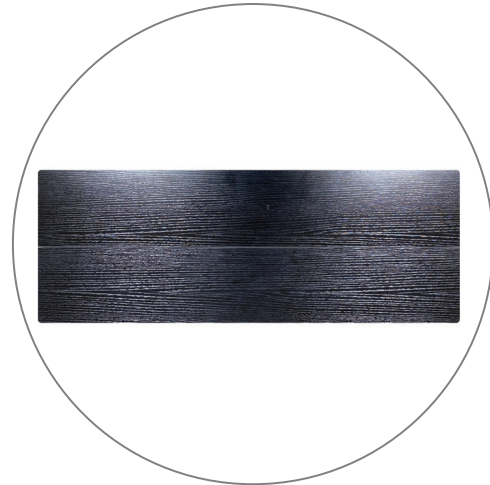


Includes Travel Bag

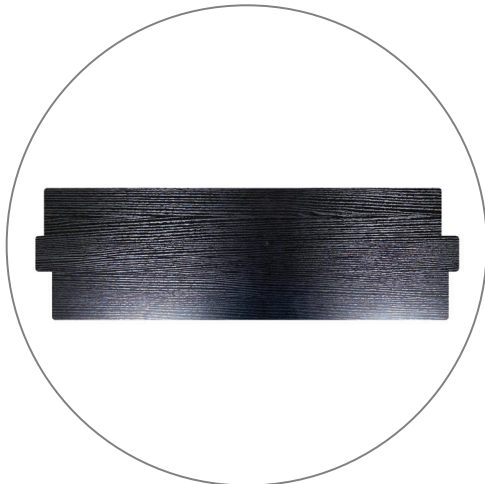
PARTS LIST



(qty 1)
RPL Counter Frame



(qty 1)
MDF Countertop



(qty 1)
MDF Inner Shelf



(qty 1)
Travel Bag



TEMPLATE

PLEASE DELETE ALL TEMPLATE ELEMENTS BEFORE UPLOADING

END CAP

RPL COUNTER

UPLOAD AT 100% SCALE
DOCUMENT SIZE 58" x 34.125"

YELLOW SAFE AREA FRONT: 28"W x 29" H
YELLOW SAFE AREA END CAP: 8" W x 29" H

KEEP ALL IMPORTANT GRAPHICS SUCH AS: LOGOS, TEXT, CONTACT INFO, ETC. IN THE YELLOW SAFE ZONE

ARTWORK IN THE BLUE AREA WILL PRINT BUT IS IN RISK OF BEING CLOSE TO THE EDGE OR TRIMMED OFF

Graphic Specifications:
- Create to template specs
- 125 DPI resolution
- CMYK color
- No template lines
- Embed/link all images
- Create to outline all fonts

Acceptable file formats:
- Photoshop (.psd, .psb)
- Illustrator (.ai, .eps)
- Flattened .tiff
- Press quality .pdf

Ver-0110.23

PLEASE DELETE ALL TEMPLATE ELEMENTS BEFORE UPLOADING

RPL COUNTER
BACK

UPLOAD AT 100% SCALE
DOCUMENT SIZE 33.5" x 34.125"

YELLOW SAFE AREA FRONT: 28"W x 29" H

KEEP ALL IMPORTANT GRAPHICS SUCH AS: LOGOS, TEXT, CONTACT INFO, ETC. IN THE YELLOW SAFE ZONE

ARTWORK IN THE BLUE AREA WILL PRINT BUT IS IN RISK OF BEING CLOSE TO THE EDGE OR TRIMMED OFF

Graphic Specifications:
- Create to template specs
- 125 DPI resolution
- CMYK color
- No template lines
- Embed/link all images
- Create to outline all fonts

Acceptable file formats:
- Photoshop (.psd, .psb)
- Illustrator (.ai, .eps)
- Flattened .tiff
- Press quality .pdf

Ver-0110.23

RPL COUNTER

RPL FABRIC POP UP DISPLAYS
PRODUCT CODE: RPLCNTR

SINGLE
SIDED

DOUBLE
SIDED

INDOOR
USE

HOOK
LOOP

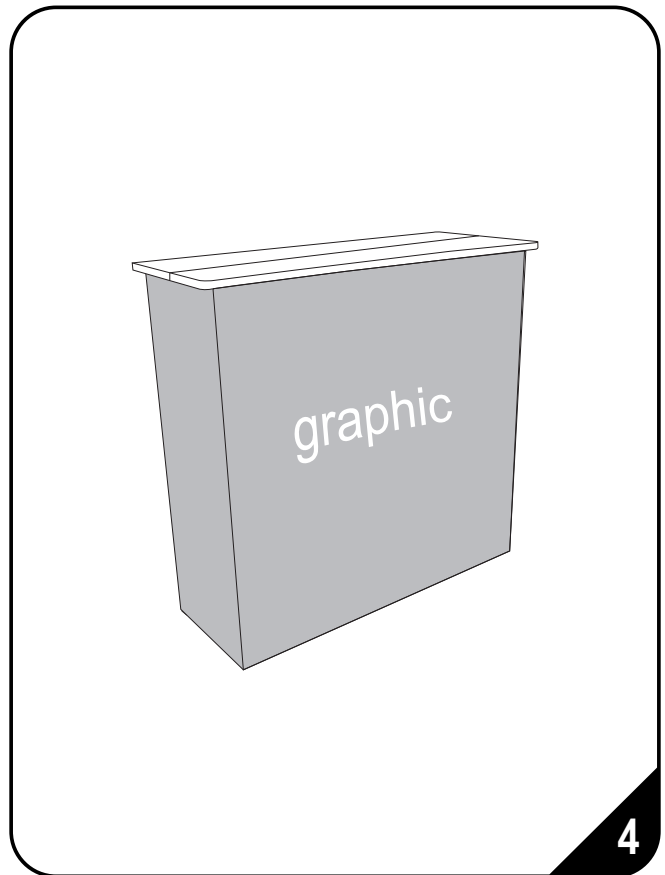
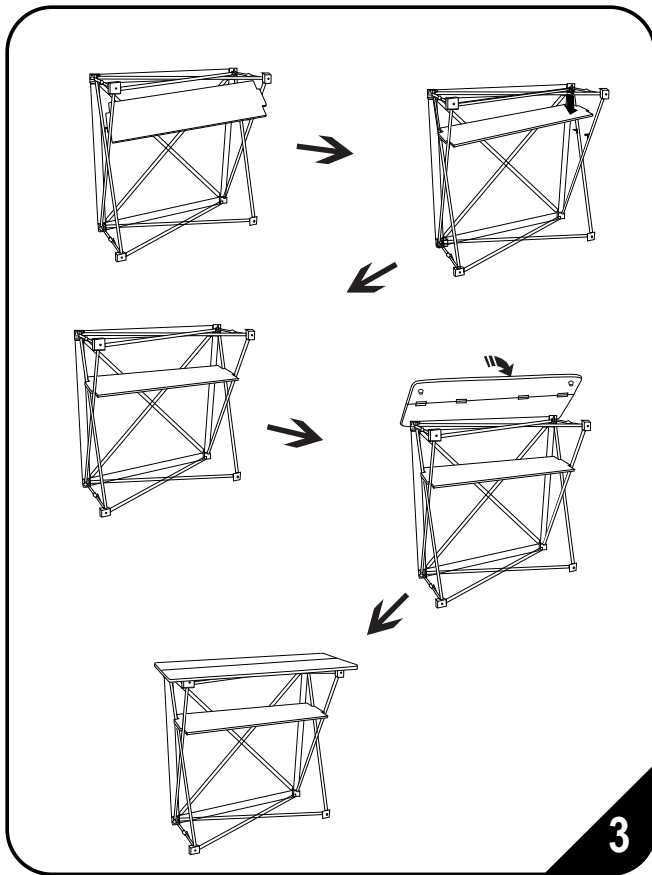
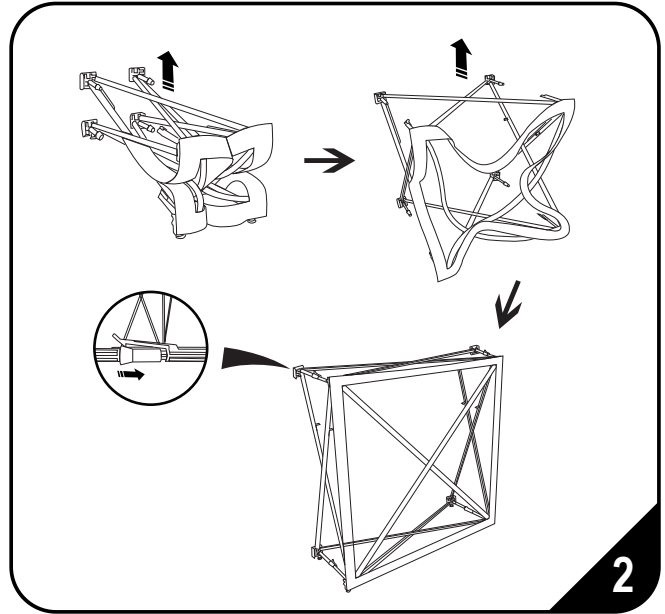
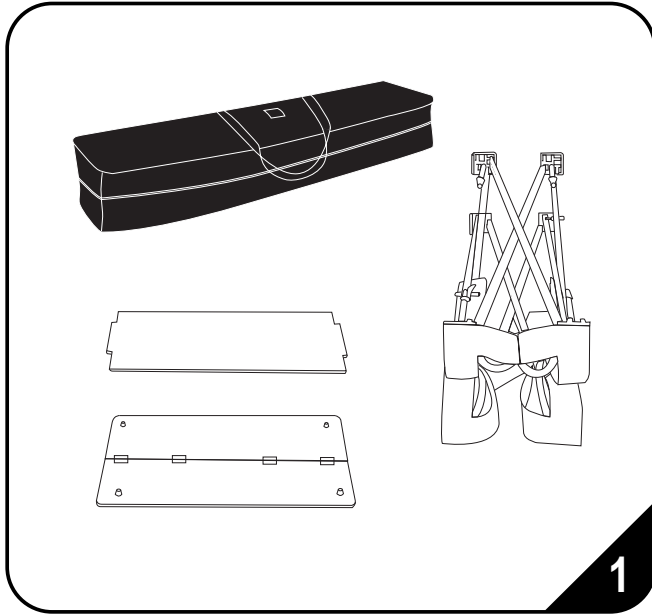
LIFE
TIME

1
YEAR

On Frame

OnGraphic

SET UP INSTRUCTIONS



CAUTION:
PLEASE READ THE INSTRUCTIONS BEFORE INSTALLING PRODUCT