

Hybrid Pro Counter 10

REC-53

All Hybrid Pro™ Modular counters feature accessible storage and locking doors. Purchased printed fabric graphics or rigid infill panels allow for your messaging and branding.



features and benefits:

- White laminate cabinet
- UV graphic, printed on Sintra or on acrylic for back-lighting
- Locking storage door in back
- Easy step-by-step instructions
- Kit includes laminated cabinet, locking storage door, one vinyl graphic and one woodcrate case
- Lifetime hardware warranty against manufacturer defects

dimensions:

Hardware

Assembled unit:
64" w x 37.5" h x 30" d
1625.6mm(w) x 952.5mm(h) x 762mm(d)

Counter holds max weight 100 lbs / 45.35 kgs

Shipping

Shipping dimensions - ships in 1 woodcrate:
1 WOODCRATE case: 72" l x 48" w x 39" h
1828.8mm(l) x 1219.2mm(w) x 990.6mm(h)

Approximate shipping weight (entire kit):
486 lbs / 220.4 kgs

Graphic

Total visual area:
57.25" w x 30" h
1454.15mm(w) x 762mm(h)

Please be sure to include a 2" bleed around the perimeter.

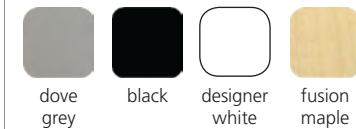
Refer to related graphic templates for more information

Visit: www.exhibitors-handbook.com/graphic-templates

additional information:

Graphic material:
UV graphic, printed on Sintra or acrylic for back-lighting

Laminate counter color options:



dove
grey

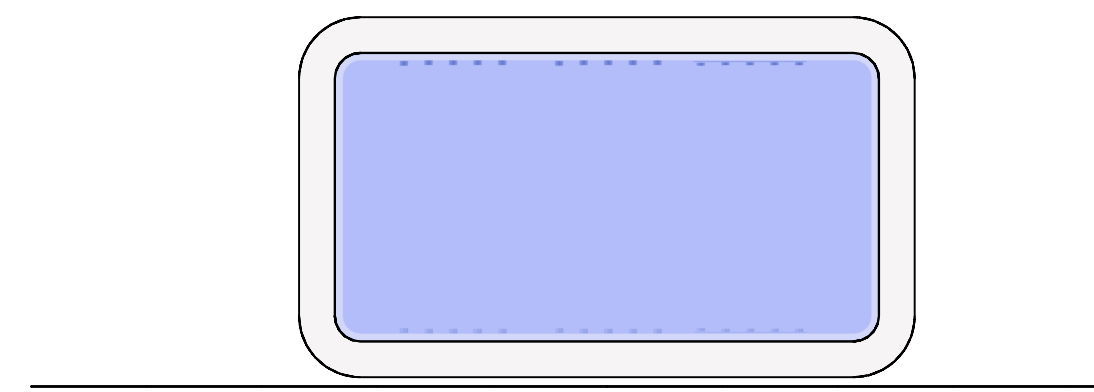
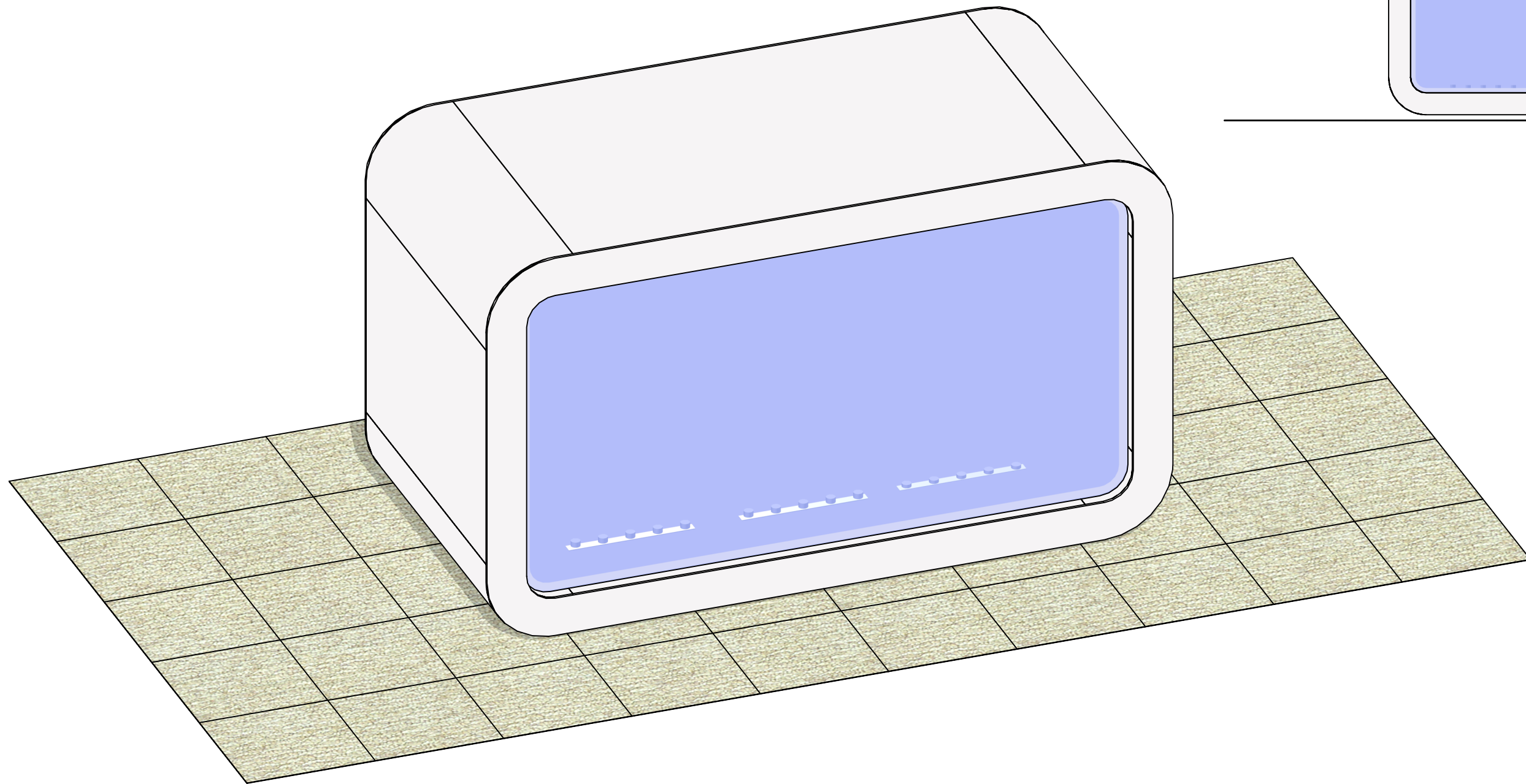
black

designer
white

fusion
maple

We are continually improving and modifying our product range and reserve the right to vary the specifications without prior notice. All dimensions and weights quoted are approximate and we accept no responsibility for variance. E&OE. See Graphic Templates for graphic bleed specifications.

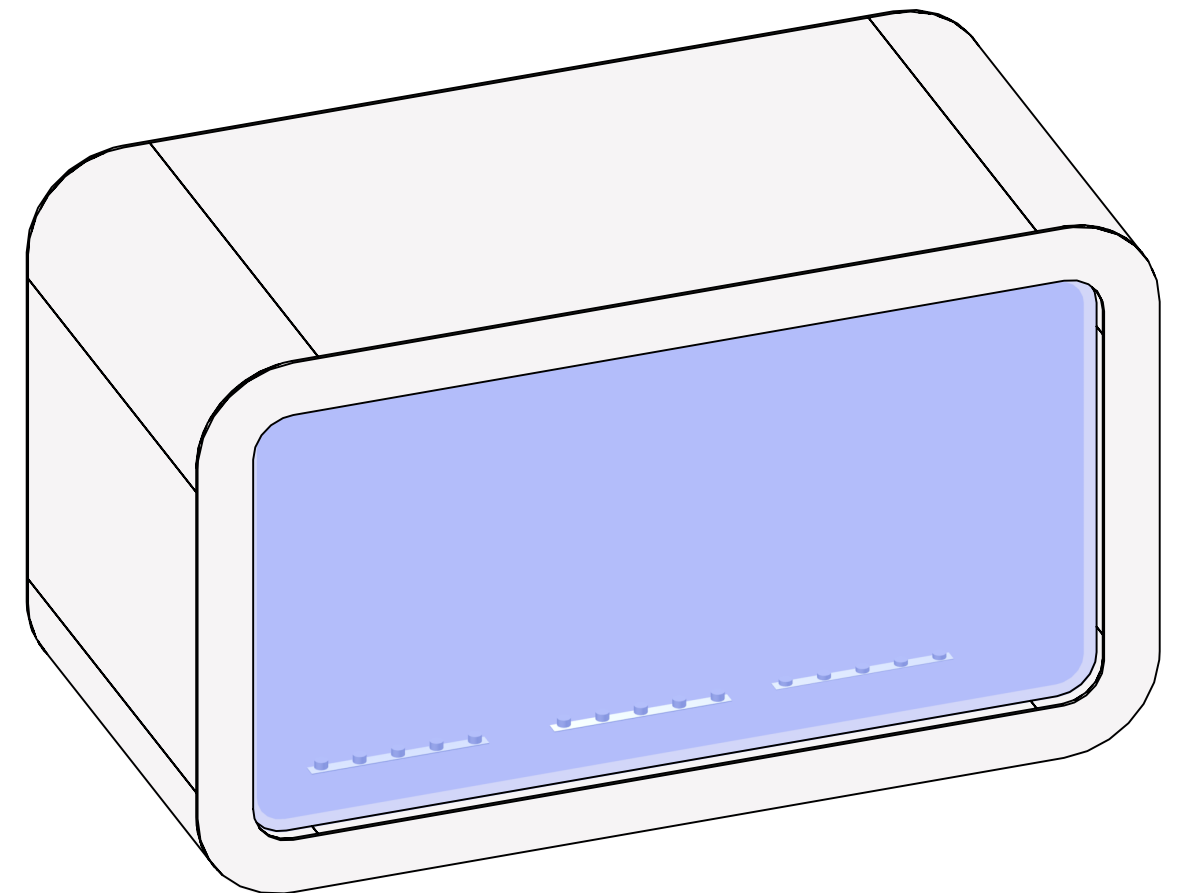
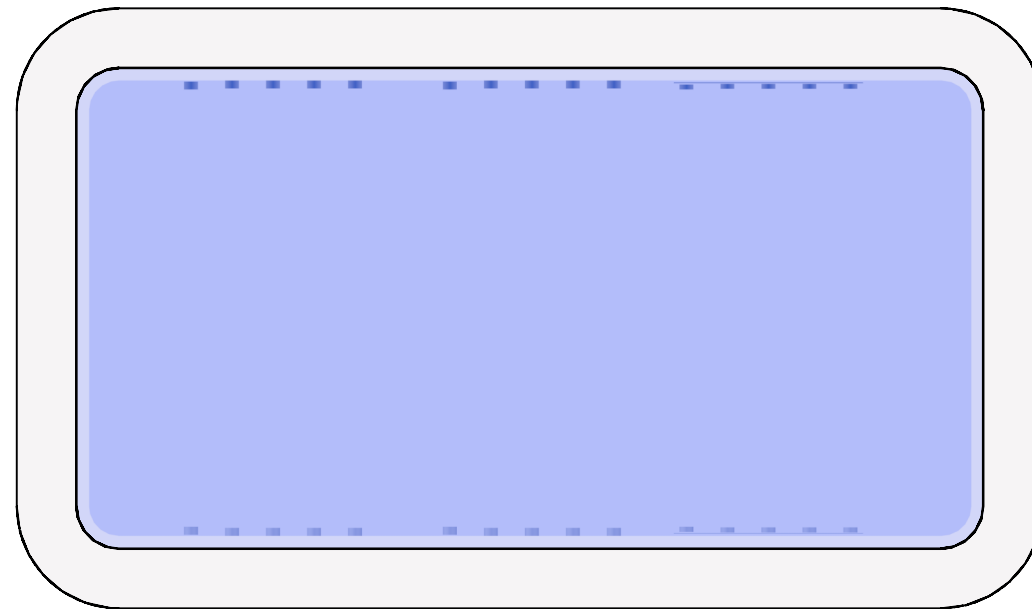
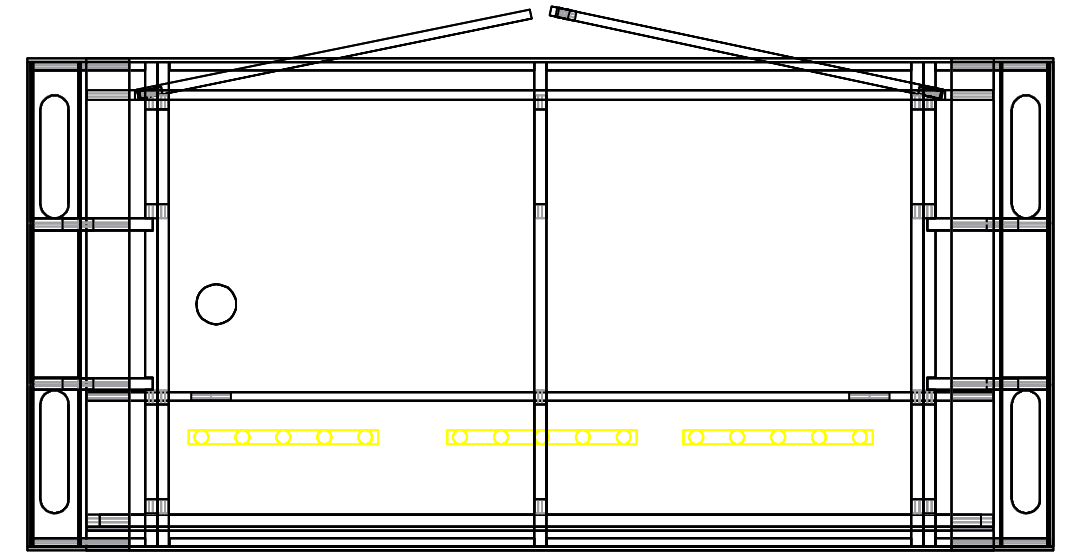
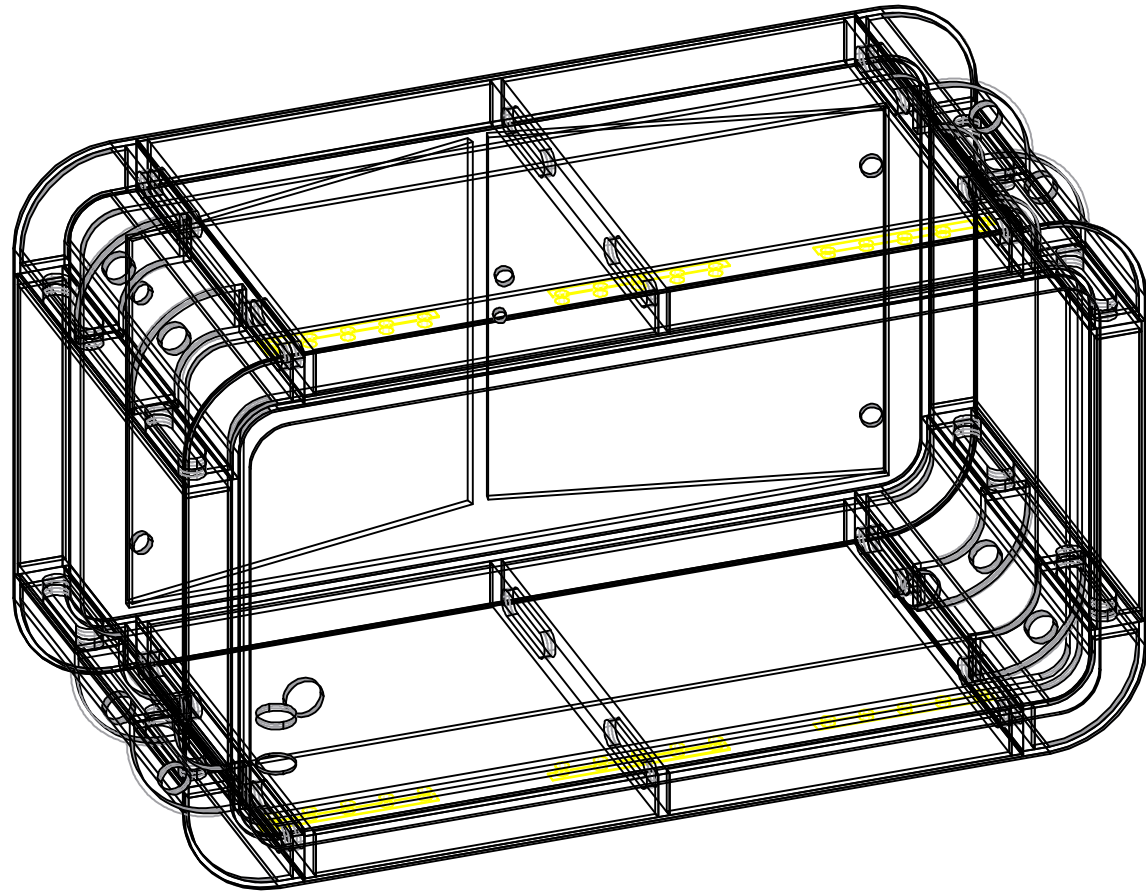
R-REC-53



Code	#	Description
LED-WHT-DB-300	6	300MM (11.81") LENGTH LED LIGHTS FOR DIRECTIONAL BACKLIGHT
REC COUNTER 53	1	40" (V) X 30" X 64" 1 PIECE BUTTRUSS STYLE RECEPTION COUNTER (RENTAL)
GRAPHIC E	1	29.96"H X 56.6"W BACKLIT DSG GRAPHIC ON 6MM PET-G WITH ROUNDED CORNERS

BOM

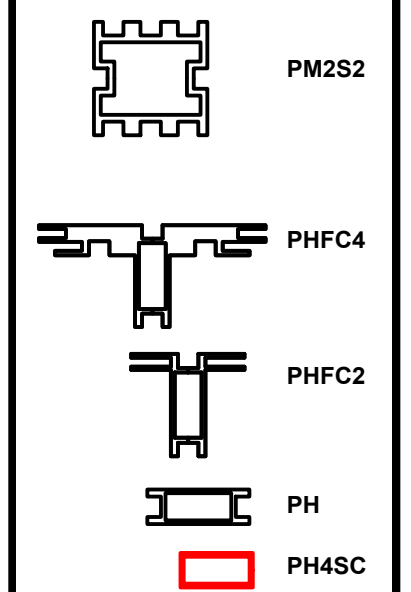
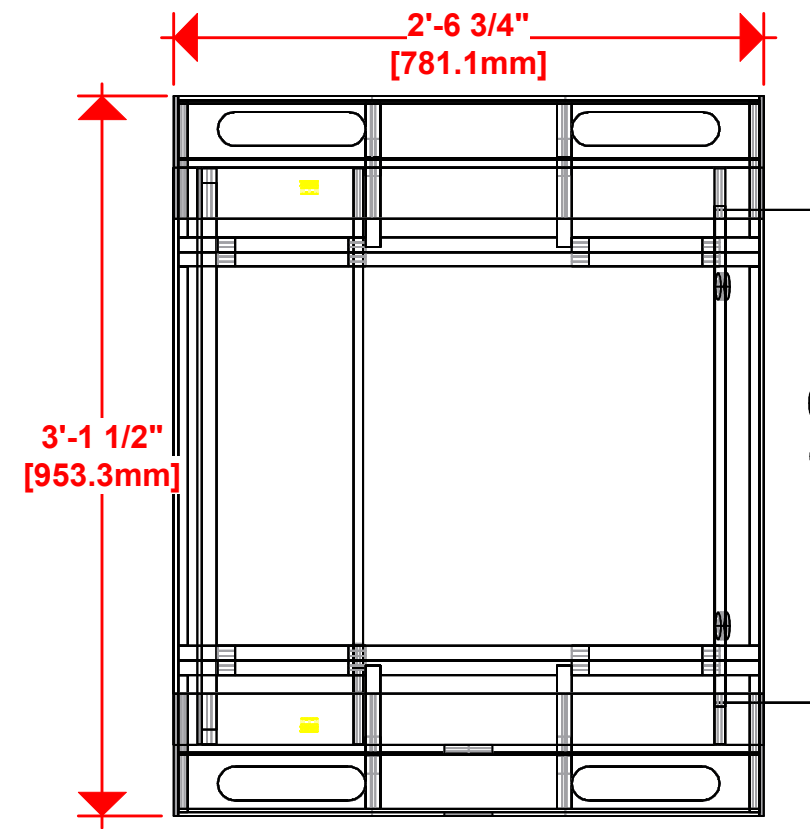
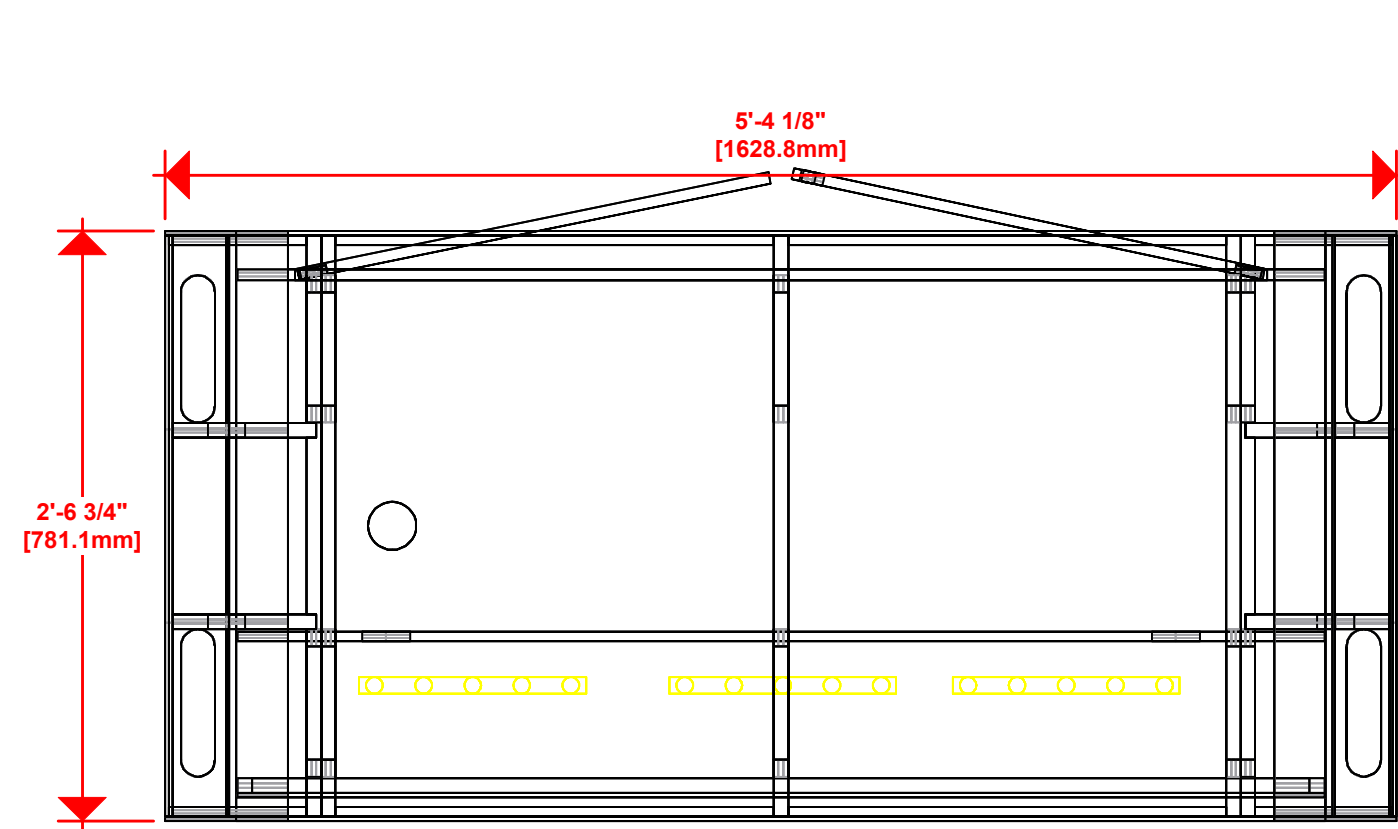
R-REC-53



1. Redesign of this exhibit without approval by manufacturer may result in dangerous and unsafe structures. Manufacturer disclaims any responsibility for redesigned exhibits it does not approve in writing.

2. Parts and components such as panels and extrusions are manufactured to metric sizing. Where ever possible sizes have been noted in feet and inches as well as in metric. Below is the imperial to metric sizing table as reference. "Nominal" refers to approximate size.

- | | |
|--------------------|-----------------------------------|
| 2400mm = (94 1/2") | ☒ Phone Line / Fax |
| 2100mm = (82 5/8") | ☒ Internet connection |
| 1800mm = (70 7/8") | ☒ Outlet |
| 1500mm = (59") | ☒ Main Drop (point of distrution) |
| 1200mm = (47 1/4") | |
| 900mm = (35 1/2") | |
| 600mm = (23 5/8") | |
| 300mm = (11 7/8") | |
- Wire running under carpet

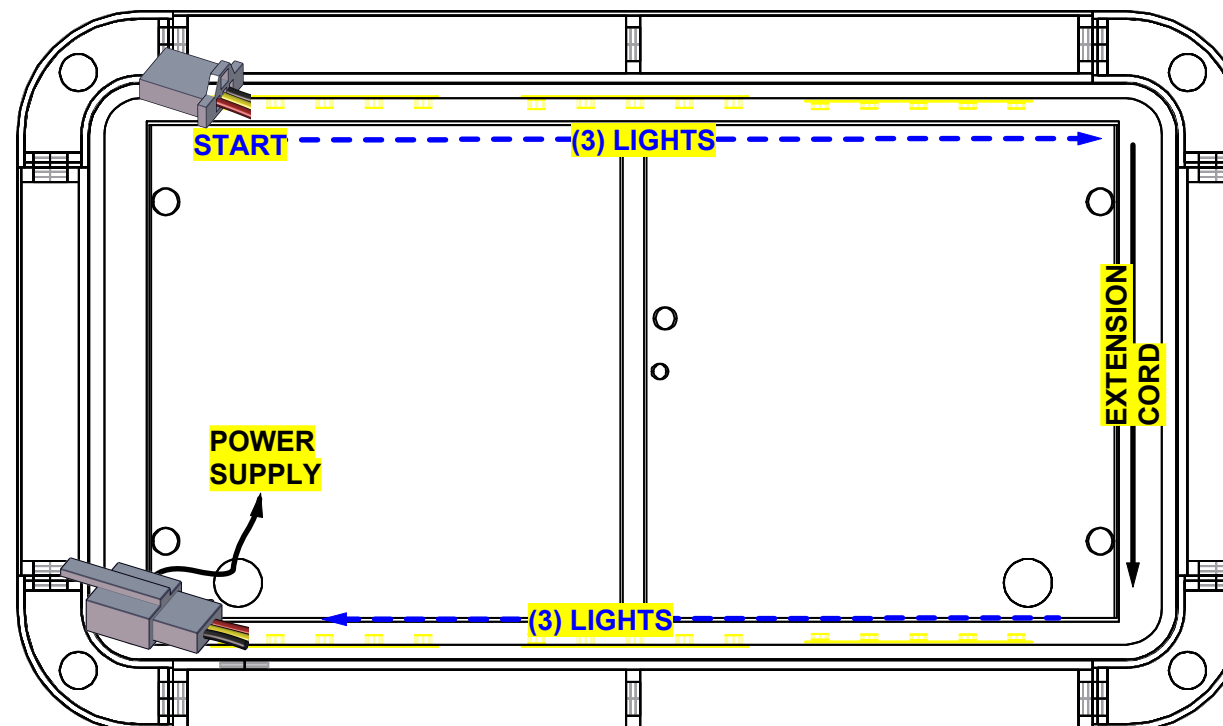
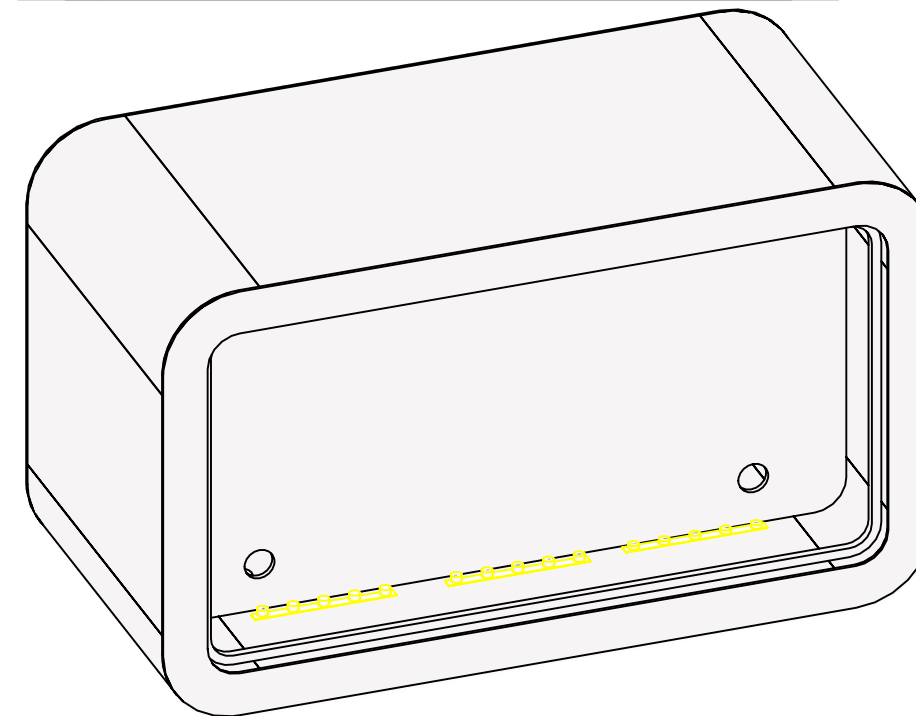
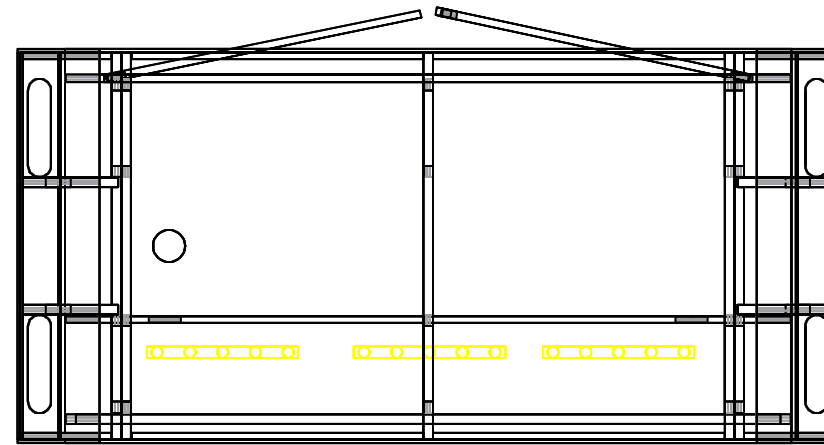
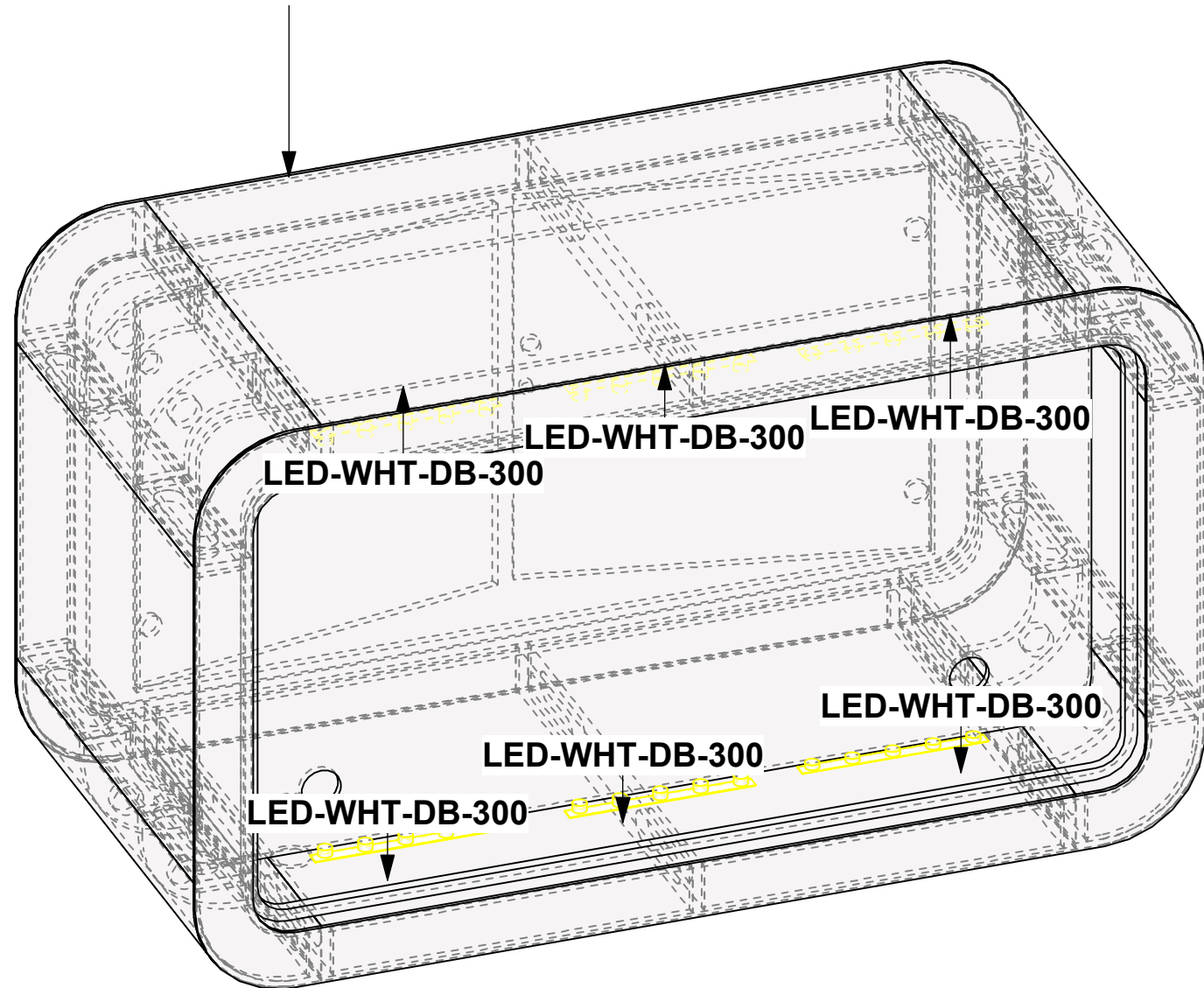


HYBRID PRO RENTAL KIT

Title: SET-UP INSTRUCTIONS

Code	#	Description
LED-WHT-DB-300	6	300MM (11.81") LENGTH LED LIGHTS FOR DIRECTIONAL BACKLIGHT
REC COUNTER 53	1	40" (V) X 30" X 64" 1 PIECE BUTTRUSS STYLE RECEPTION COUNTER (RENTAL)

REC COUNTER 53

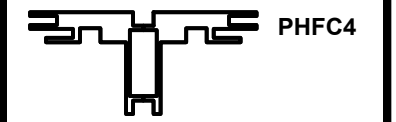
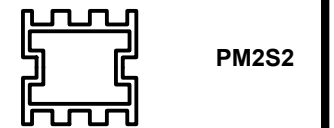


1. Redesign of this exhibit without approval by manufacturer may result in dangerous and unsafe structures. Manufacturer disclaims any responsibility for redesigned exhibits it does not approve in writing.

2. Parts and components such as panels and extrusions are manufactured to metric sizing. Where ever possible sizes have been noted in feet and inches as well as in metric. Below is the imperial to metric sizing table as reference. *Nominal" refers to approximate size.

2400mm = (94 1/2")	Phone Line / Fax
2100mm = (82 5/8")	Internet connection
1800mm = (70 7/8")	Outlet
1500mm = (59")	Main Drop (point of distrution)
1200mm = (47 1/4")	
900mm = (35 1/2")	
600mm = (23 5/8")	
300mm = (11 7/8")	

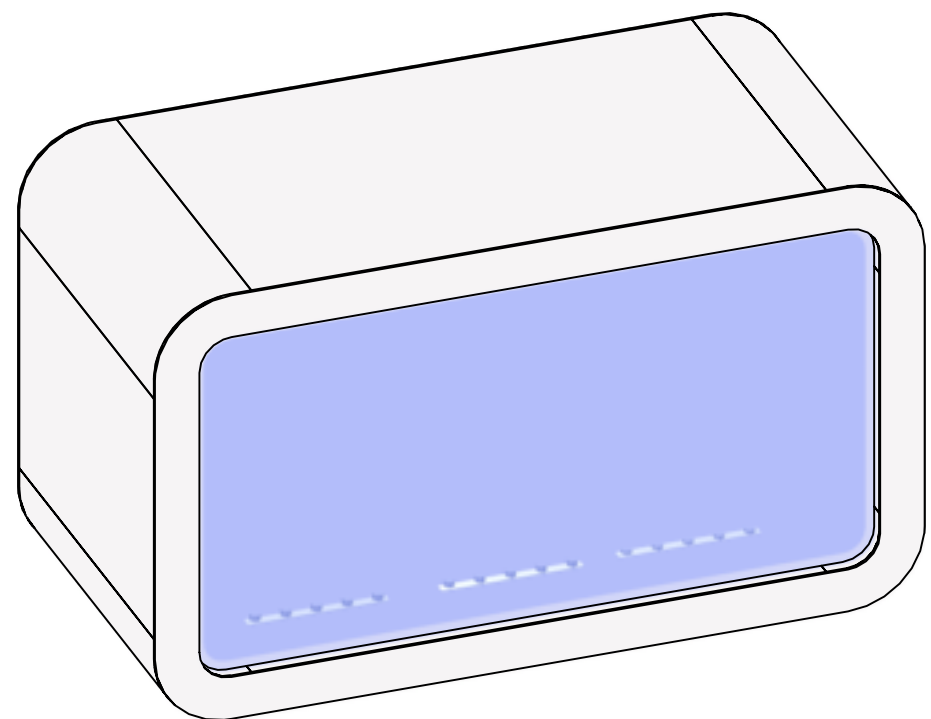
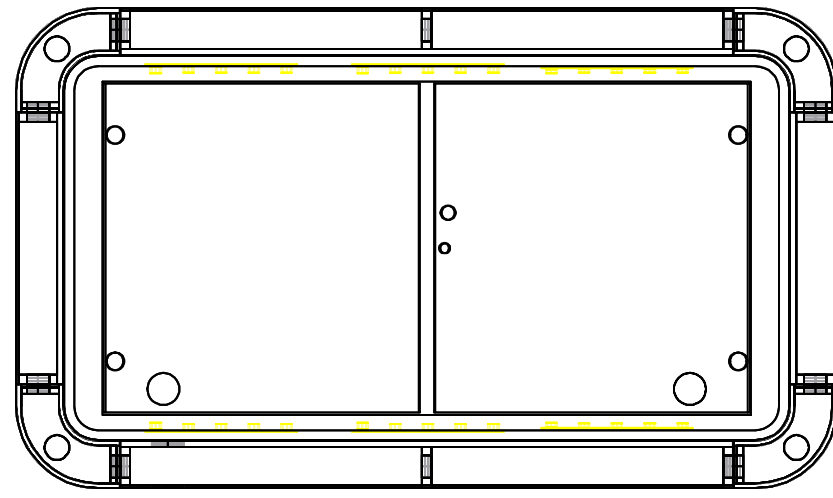
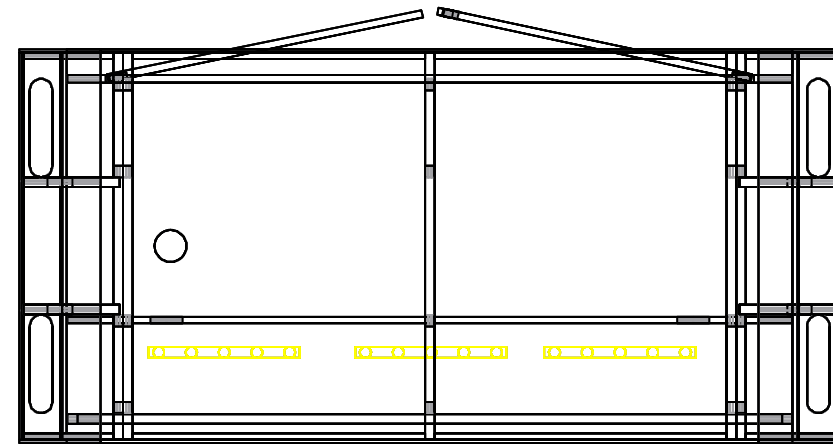
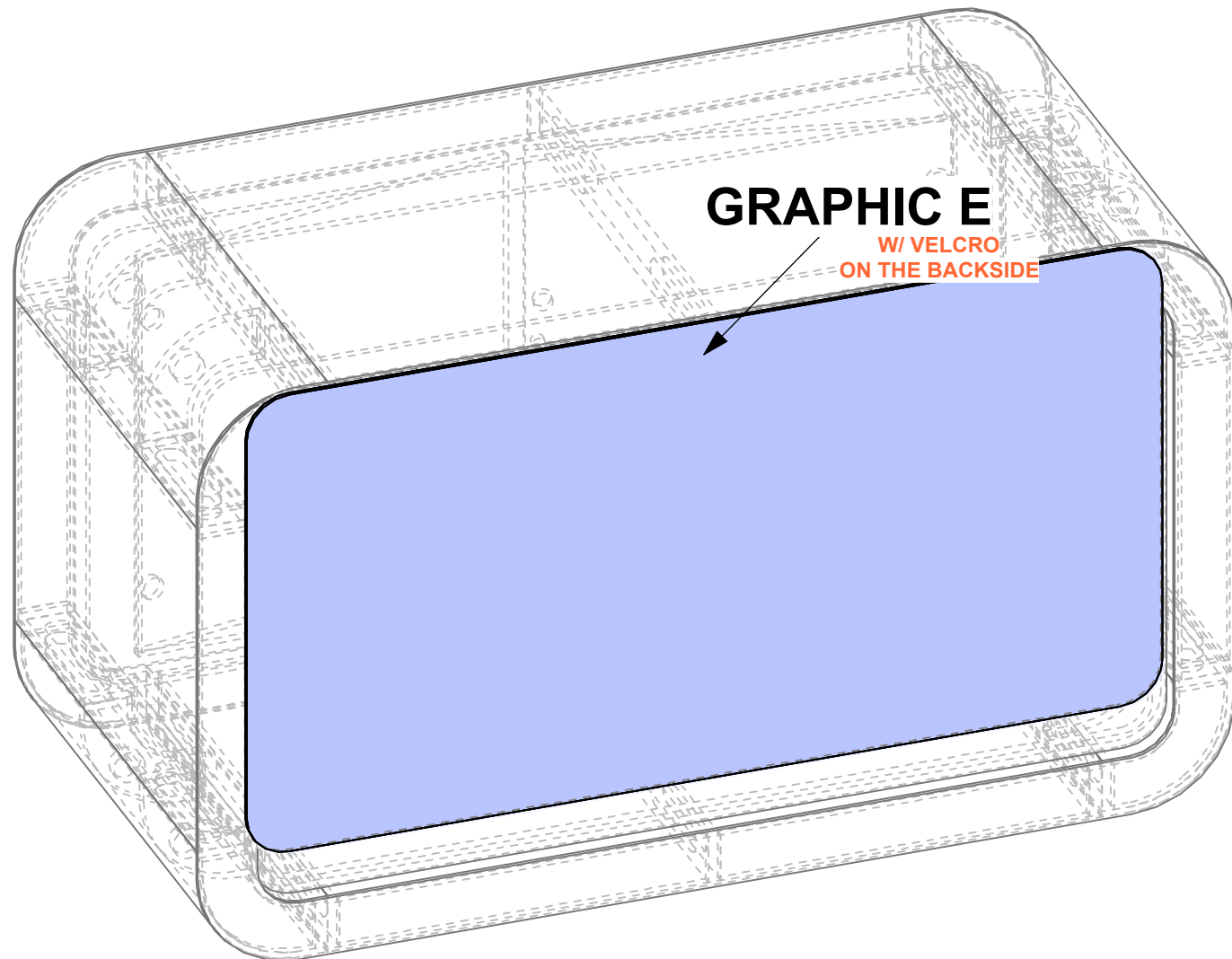
--- Wire running under carpet



HYBRID PRO RENTAL KIT

Title: SET-UP INSTRUCTIONS

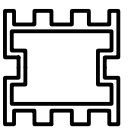
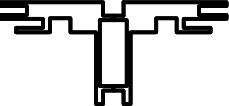
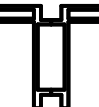


Code	#	Description
GRAPHIC E	1	29.96"H X 56.6"W BACKLIT DSG GRAPHIC ON 6MM PET-G WITH ROUNDED CORNERS



1. Redesign of this exhibit without approval by manufacturer may result in dangerous and unsafe structures. Manufacturer disclaims any responsibility for redesigned exhibits it does not approve in writing.

2. Parts and components such as panels and extrusions are manufactured to metric sizing. Where ever possible sizes have been noted in feet and inches as well as in metric. Below is the imperial to metric sizing table as reference. "Nominal" refers to approximate size.

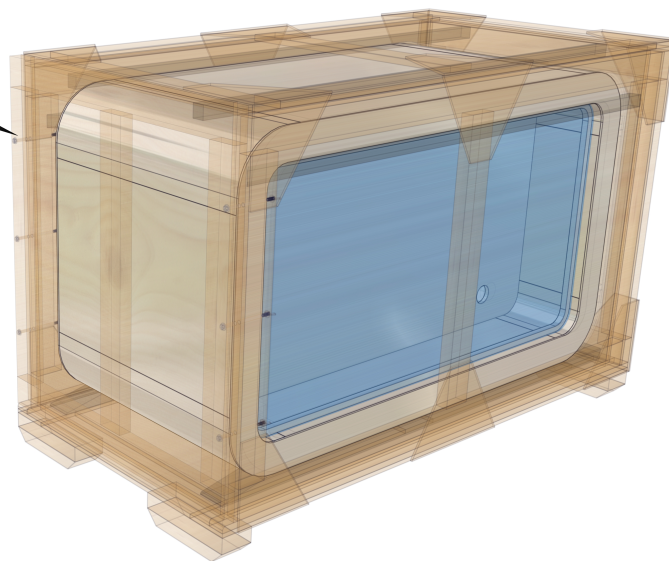
- | | |
|--------------------|---------------------------------|
| 2400mm = (94 1/2") | Phone Line / Fax |
| 2100mm = (82 5/8") | Internet connection |
| 1800mm = (70 7/8") | Outlet |
| 1500mm = (59") | Main Drop (point of distrution) |
| 1200mm = (47 1/4") | |
| 900mm = (35 1/2") | |
| 600mm = (23 5/8") | |
| 300mm = (11 7/8") | |
- Wire running under carpet

-  PM2S2
-  PHFC4
-  PHFC2
-  PH
-  PH4SC

HYBRID PRO RENTAL KIT

Title: SET-UP INSTRUCTIONS

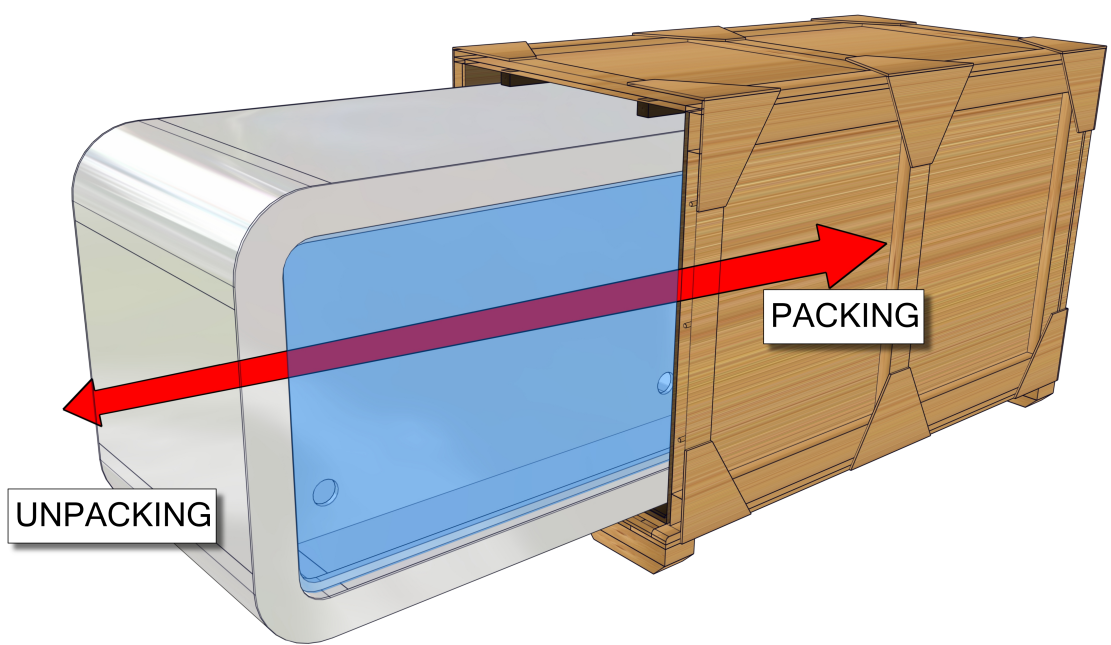
PACKING INSTRUCTIONS



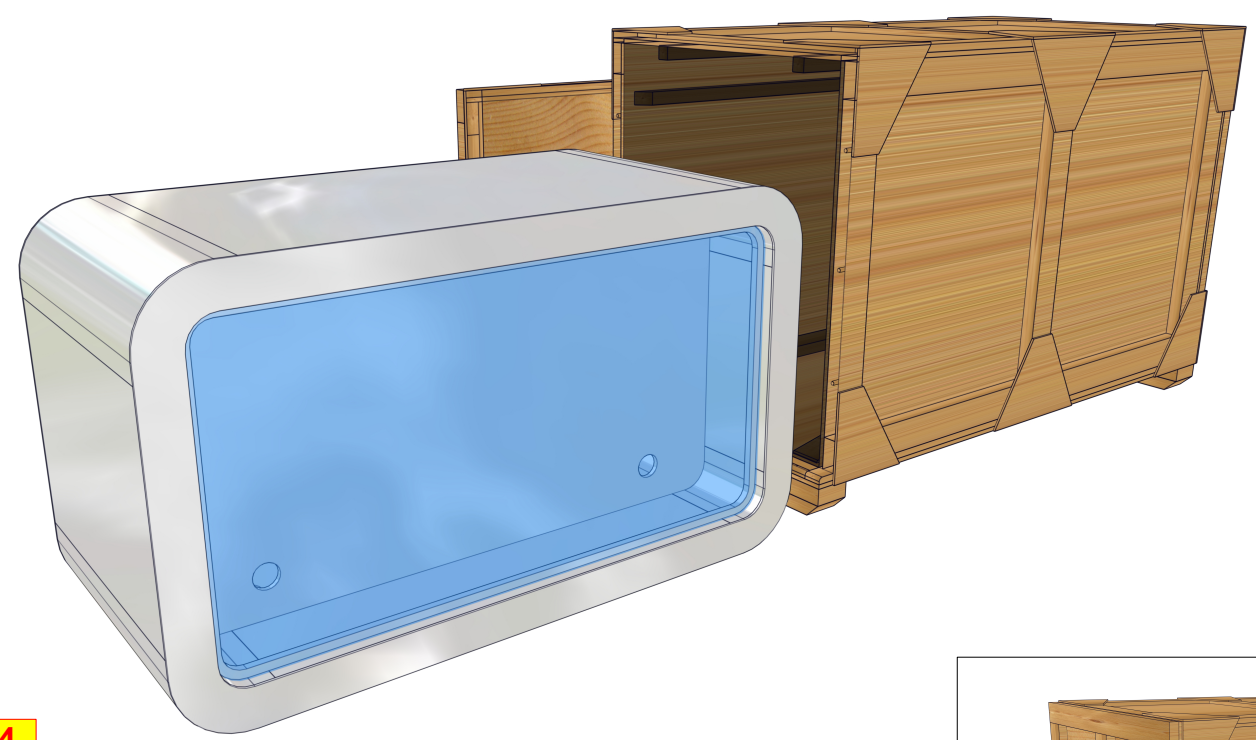
1



2



3



4 R-REC-53

CASE # 1

LEGEND		GREY FOAM FOLDED TO FILL EMPTY SPACES OR USED AS PROTECTION
		1/8" CARDBOARD SPACER (PUT IN BETWEEN EVERY PANEL)
		DIVIDER
		1/4" WHITE FOAM (USED AS PROTECTION DOOR PANELS W/LOCKS)

