

QSEG CUBICLE SINGLE

QSEG MODULAR SEG DISPLAY
 PRODUCT CODE: QSEGCubicle-SCGP



On frame On graphic



PRODUCT DESCRIPTION

Use Qseg for social distancing solutions for work environments as office partitions and cubicles. Help keep safe physical distance between employees and customers with today's health and safety regulations. By strategically placing our lightweight and portable walls. Padded travel bags are included to keep your frames and graphics protected during transport and storage. With many wall sizes and connector accessories. Effortlessly creating numerous configurations that meet your needs. Connector options are either 2 way (90°) or 4 way (180°) Other graphic options are full custom printed dye sublimated graphics or TPU plastic for hygienic sneeze guards and partitions.

DISPLAY DIMENSIONS	79"W x 59"H x 79"D
GRAPHIC SIZE (each frame)	41.5"W x 61.5"H

GRAPHIC MATERIAL

Dye Sub Stretch Fabric

GRAPHIC FINISHING

Silicone beading sewn onto edge of graphic

DISPLAY CONSTRUCTION

Aluminum extrusion frame with plastic components

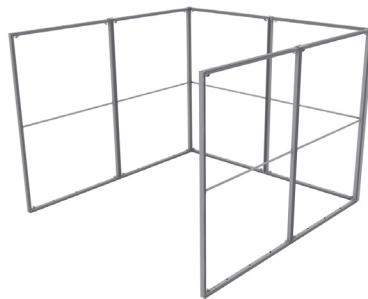
SHIPPING WEIGHTS & DIMENSIONS

Shipping Weight (each box)	14 lbs (frame only)
	16 lbs (frame & graphic)
Shipping Dimensions (each box)	60.25"W x 7"H x 3.5"D (6 boxes total)

GRAPHIC TURN AROUND TIME

2 business days after proof approval (up to 2 sets)

AVAILABILITY	PFC
--------------	-----



TOOL FREE ASSEMBLY



SEG GRAPHIC FINISHING



90° CORNER CONNECTION



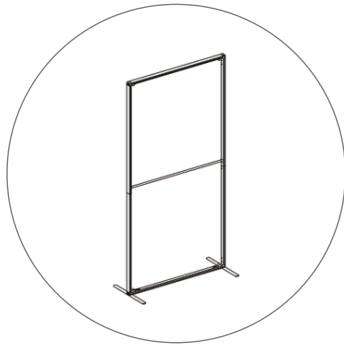
STRAIGHT CONNECTION

QSEG CUBICLE SINGLE

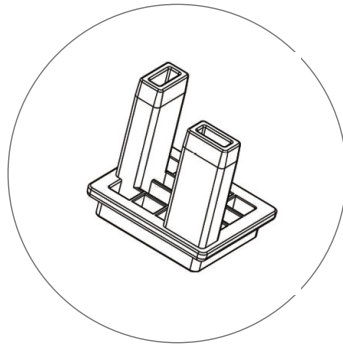
QSEG MODULAR SEG DISPLAY

PRODUCT CODE: QSEGCubicle-SCGP

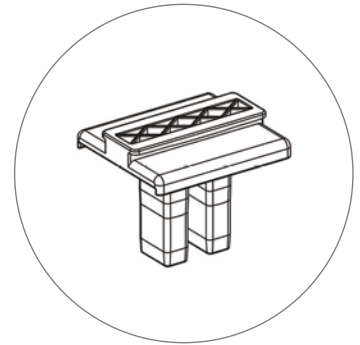
PARTS LIST



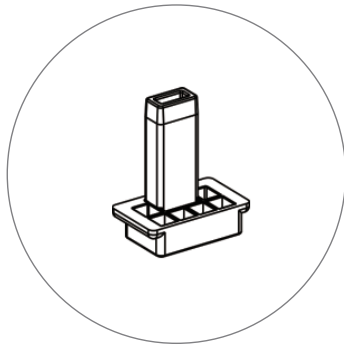
(qty 6)
QSEG-100X150



(qty 2)(pair)
QSEG-LCON



(qty 6)
QSEG-SCON

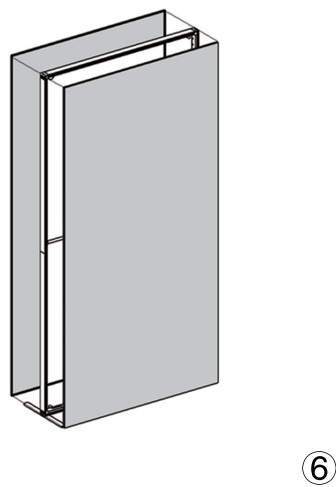
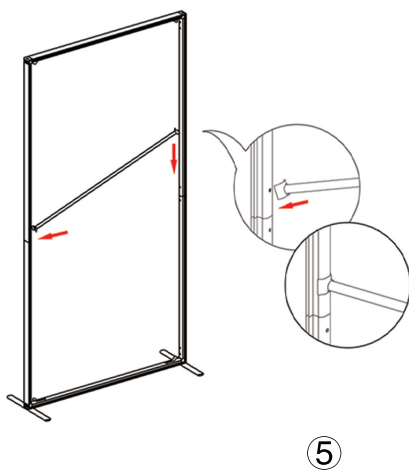
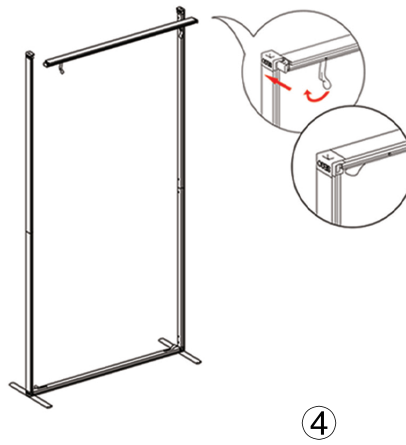
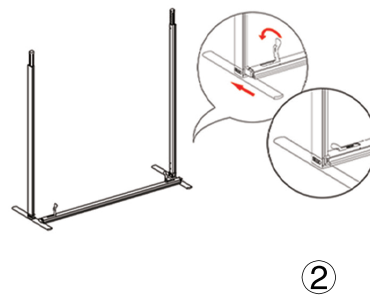
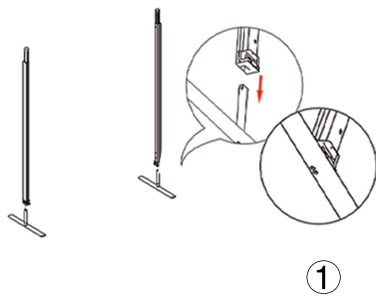


(qty 2)
QSEG-FTPAD

QSEG CUBICLE SINGLE

QSEG MODULAR SEG DISPLAY
PRODUCT CODE: QSEGCubicle-SCGP

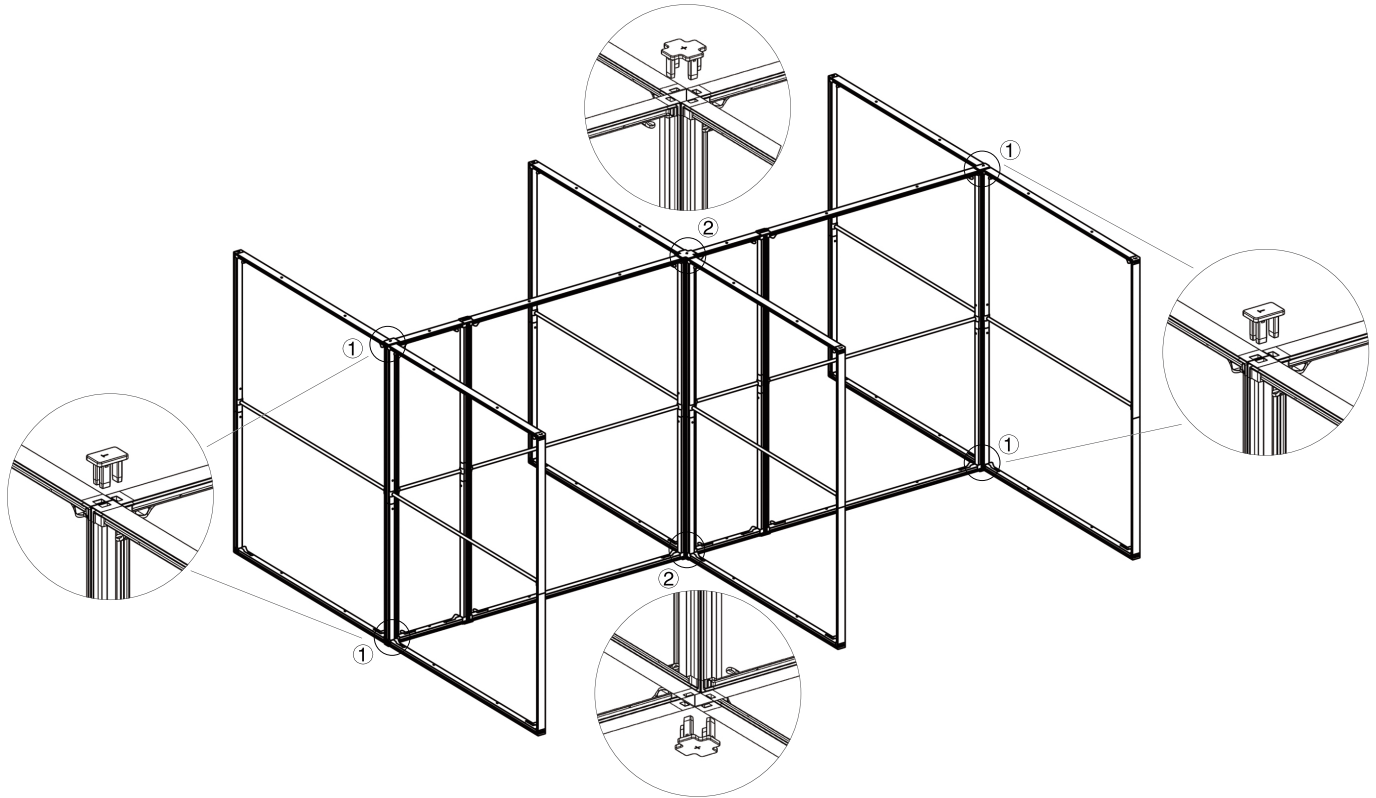
SET UP INSTRUCTIONS



QSEG CUBICLE SINGLE

QSEG MODULAR SEG DISPLAY
PRODUCT CODE: QSEGCubicle-SCGP

SET UP INSTRUCTIONS



QSEG CUBICLE SINGLE

QSEG MODULAR SEG DISPLAY
PRODUCT CODE: QSEGCubicle-SCGP

TEMPLATE

PLEASE DELETE ALL TEMPLATE ELEMENTS BEFORE UPLOADING

QSEG CUBICLE SINGLE

GRAPHIC DIMENSIONS: 41.5" W x 61.5" H
YELLOW SAFE AREA: 33.5" W x 53.5" H

UPLOAD AT 100% SCALE
DOCUMENT SIZE 41.5" x 61.5"
USE SAME TEMPLATE FOR FRONT AND BACK

USE TEMPLATE 12 TIMES TOTAL (6 FRONT/6 BACK)
REFERENCE TEMPLATE GUIDE FOR TEMPLATE LOCATIONS
ANY CONTINUOUS ARTWORK TO MATCH UP OR LINE UP
WITH ANOTHER PRINT MAY NOT LINE UP PERFECTLY

*KEEP ALL IMPORTANT GRAPHICS
SUCH AS: LOGOS, TEXT, CONTACT INFO, ETC.
IN THE YELLOW SAFE ZONE*

*ARTWORK IN THE BLUE AREA WILL PRINT BUT IS IN RISK
OF BEING CLOSE TO THE EDGE OR TRIMMED OFF*

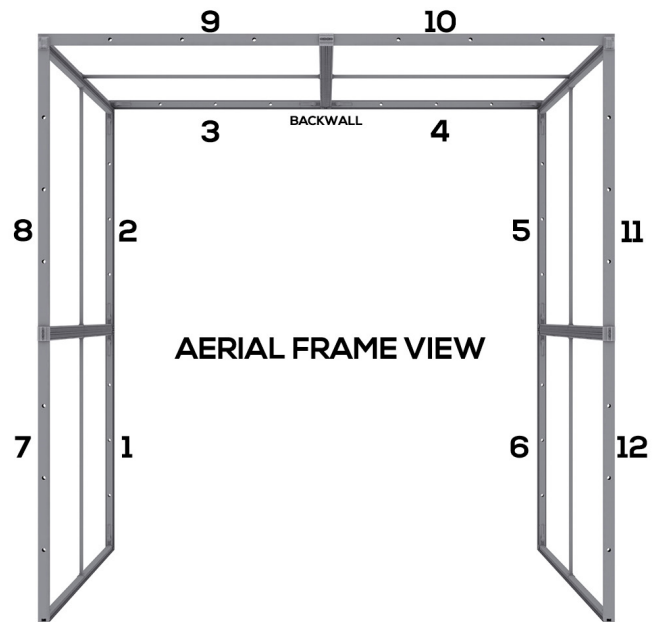
Graphic Specifications:

- Create to template specs
- 125 DPI resolution
- CMYK color
- No template lines
- Embed/link all images
- Create to outline all fonts

Acceptable file formats:

- Photoshop (.psd, .psb)
- Illustrator (.ai, .eps)
- Flattened .tiff
- Press quality .pdf

Vw-0622.20



NUMBERS ON THE IMAGE ABOVE INDICATE THE TEMPLATE LOCATION # ON FRAME
PLEASE ADD TEMPLATE LOCATION # TO END OF FILENAME. EX: "QSEG-CUBICLE-SINGLE-1"