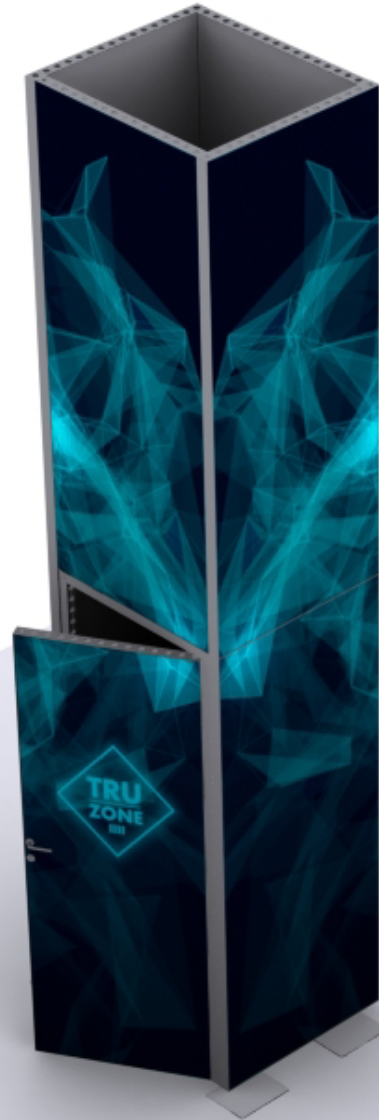
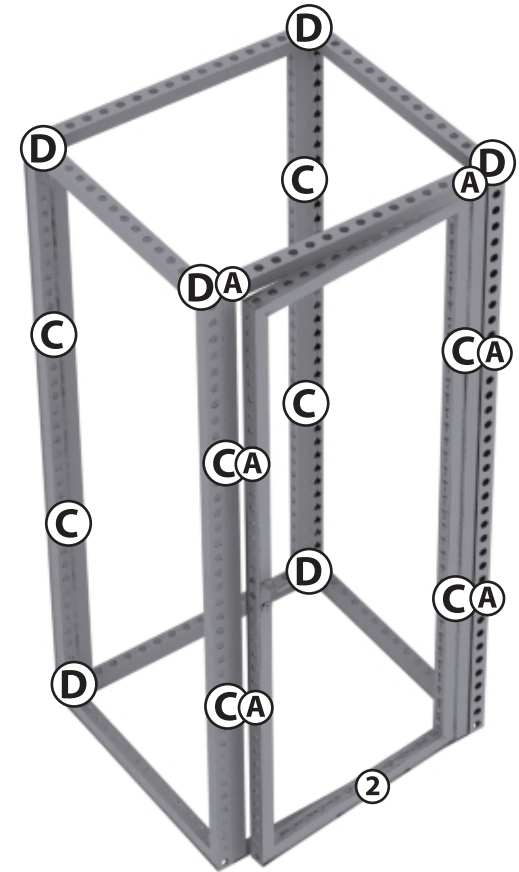
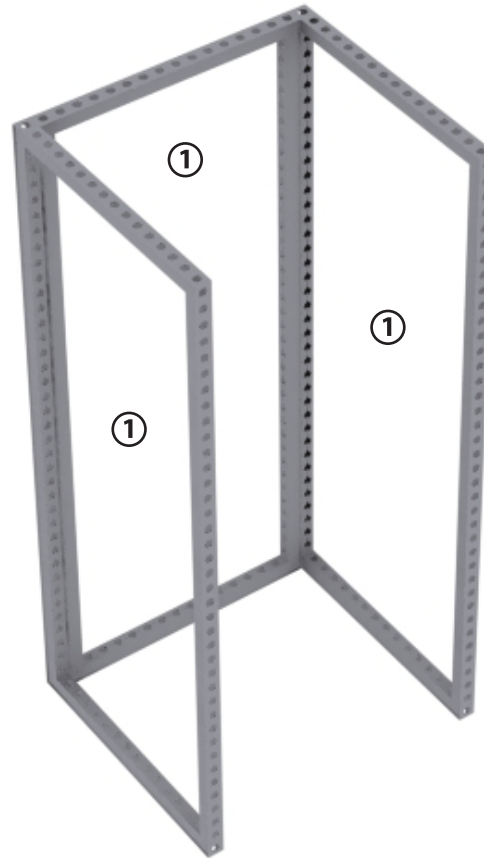
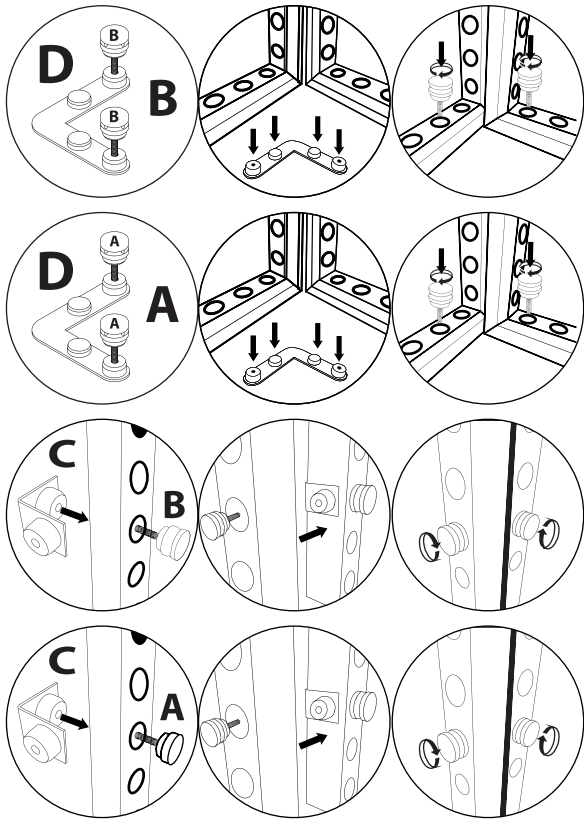


MODCO 7 - TOWER



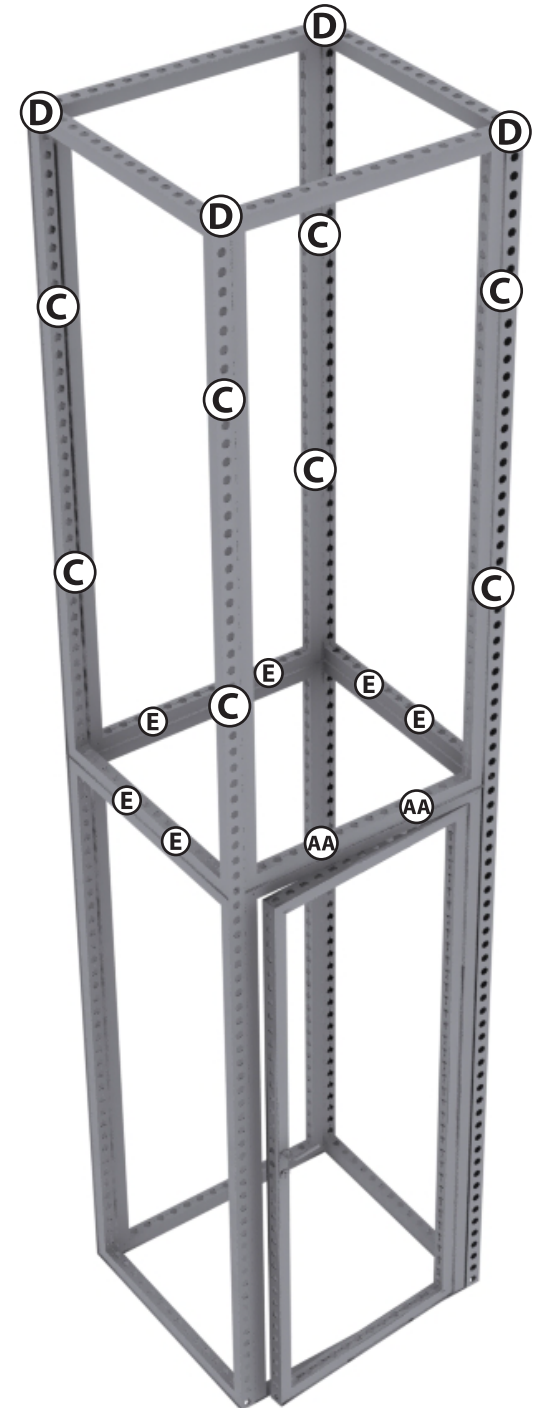
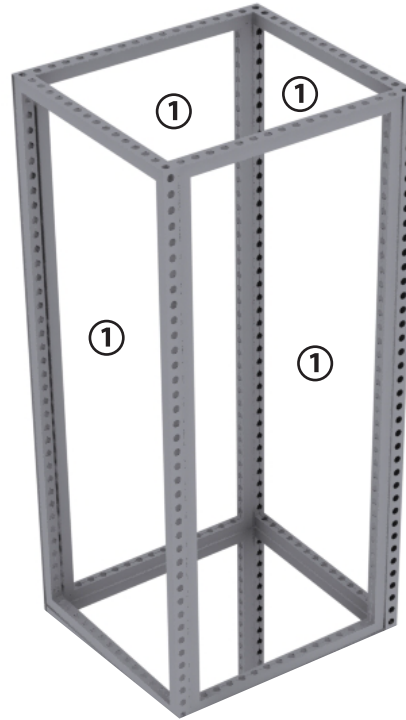
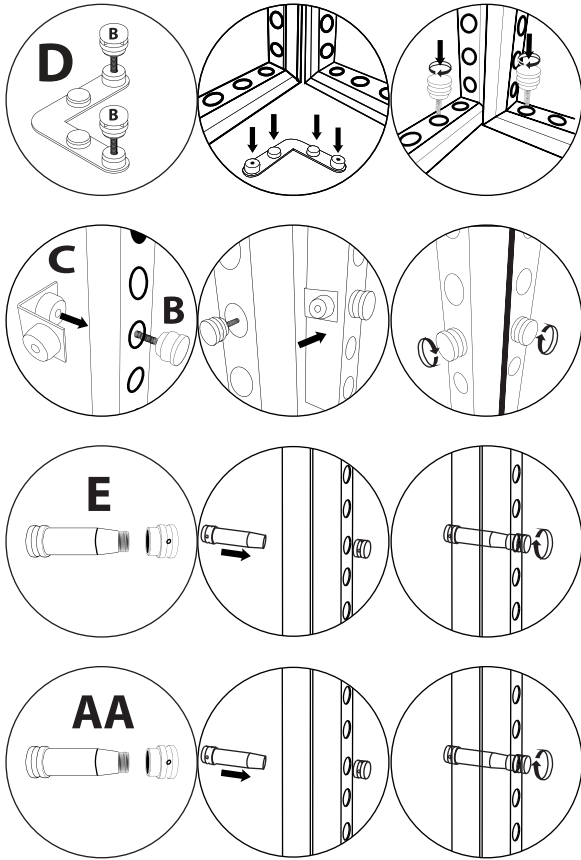
MODCO 7 - TOWER



PARTS LIST (TOWER)

REF	QTY	PART NO.	DESCRIPTION
11	7	MOD-FRM-992x2480	Straight Frame, Corner Screw Connect 992mm x 2480mm
16	1	MOD-DSWL-992x2480	Door Set w/ Lock 992mm x 2480mm
E	6	MOD-CLA-CON	Clamp Connector
D	6	MOD-SM90D-CON	Small 90° Connector
C	16	MOD-90D-CON	90° Connector
B	40	MOD-PC	Pin Connector
A	4	MOD-PCWP-A	Pin Connector for Door Jamb
AA	2	MOD-DCC-180D	Door Clamp Connector, 180 Degrees (Connect to Wall Frame)

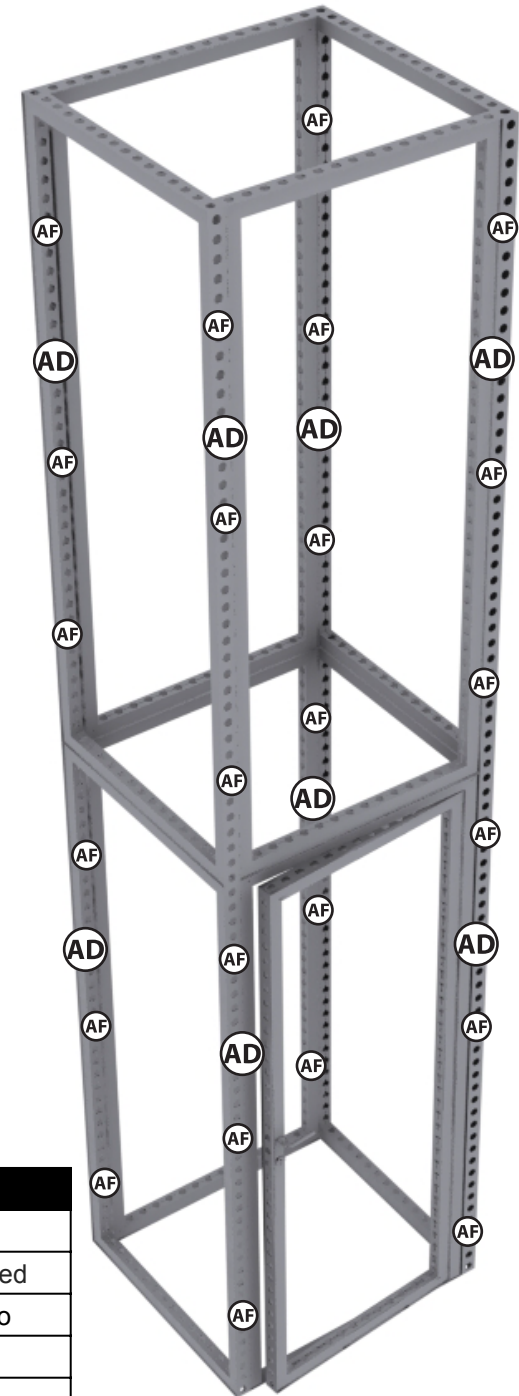
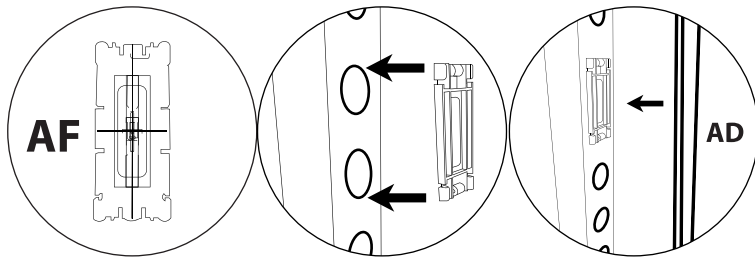
MODCO 7 - TOWER



PARTS LIST (TOWER)

REF	QTY	PART NO.	DESCRIPTION
11	7	MOD-FRM-992x2480	Straight Frame, Corner Screw Connect 992mm x 2480mm
16	1	MOD-DSWL-992x2480	Door Set w/ Lock 992mm x 2480mm
E	6	MOD-CLA-CON	Clamp Connector
D	6	MOD-SM90D-CON	Small 90° Connector
C	16	MOD-90D-CON	90° Connector
B	40	MOD-PC	Pin Connector
A	4	MOD-PCWP-A	Pin Connector for Door Jamb
AA	2	MOD-DCC-180D	Door Clamp Connector, 180 Degrees (Connect to Wall Frame)

MODCO 7 - TOWER



COVER PROFILES & ACCESSORIES

REF	QTY	PART NO.	DESCRIPTION
AD	8	MOD-CP-992x2480	Cover Profile for Frame 992x2480. Flat Model. Anodized
	1	MOD-SKID	Wooden skid of L 104", W 40", H 7.5" made in Mexico
AL	32	MOD-FP	Modco Frame Protector
AF	24	MOD-CC	Clip Connector Cover Connects Cover Profile