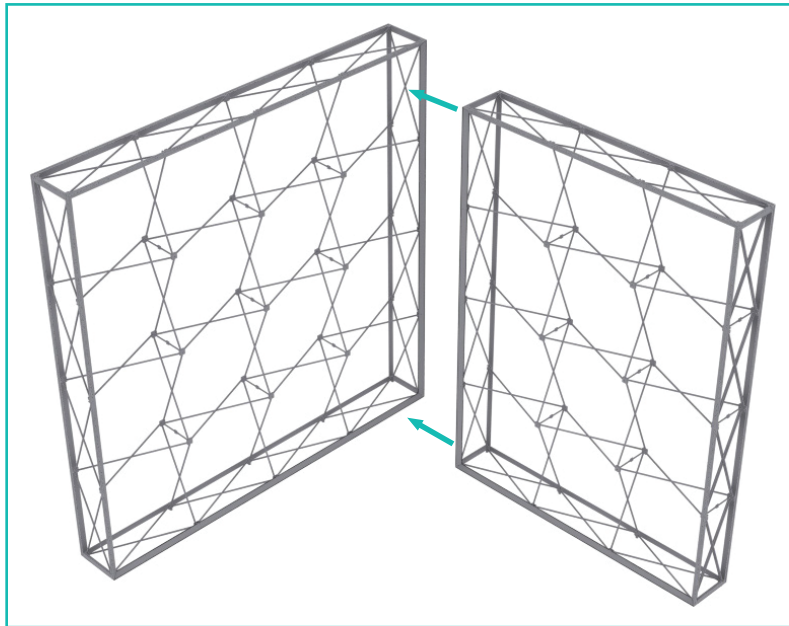


LUMIÈRE CONFIGURATION A

LUMIÈRE DISPLAY - SETUP INSTRUCTIONS

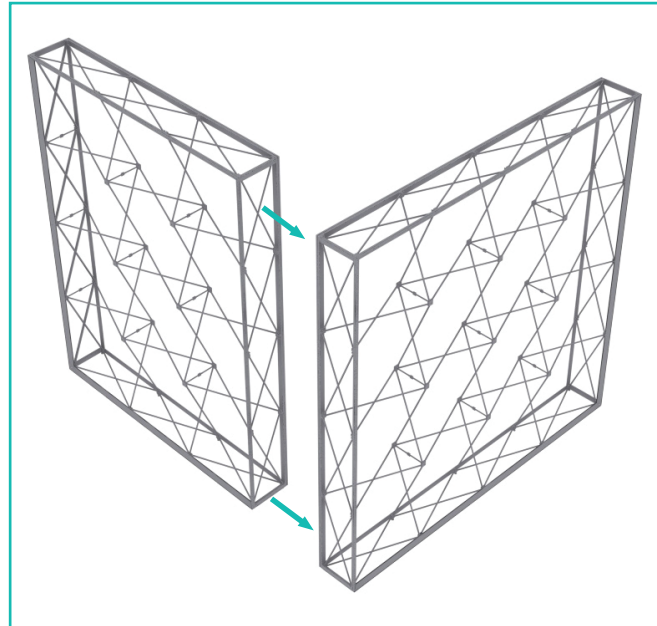
Connecting Return Wall

Front View



Adjoin the 3x4 frame perpendicular (90° angle) to the front side of the 4x4 frame.

Back View

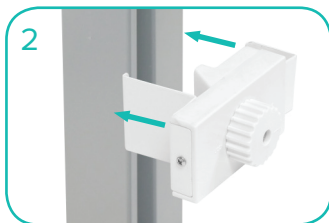


Note: Rendering shown without graphics for clarity. 4x4 front side graphic must be installed before connecting frames.

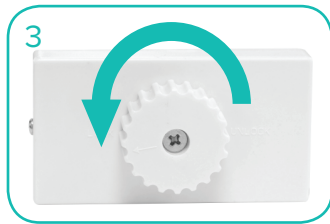
L Link Connection



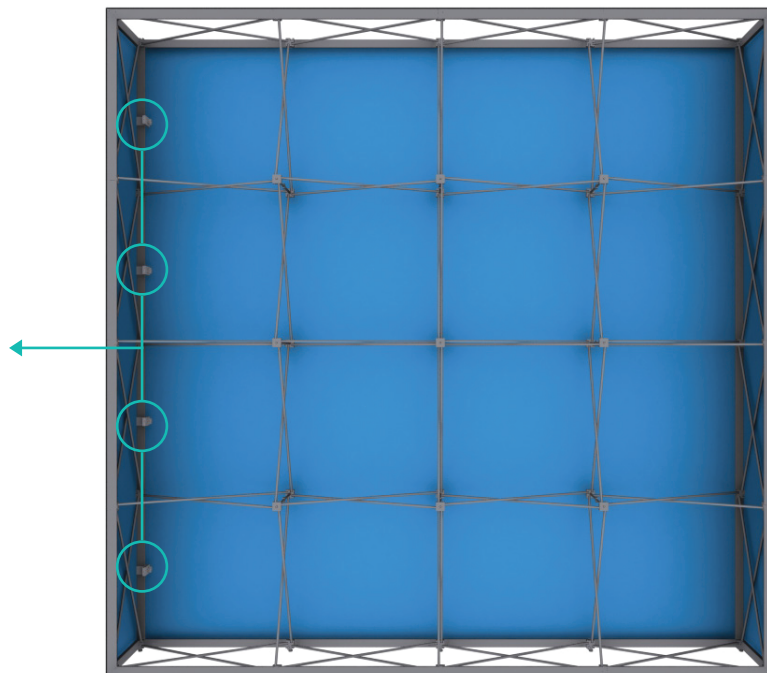
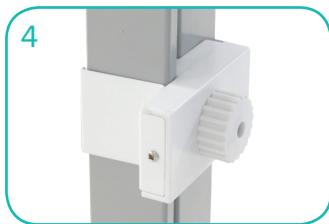
1
*Starting from behind, pull the 4x4 graphic away to make space for L Connector.



2
Slide L Connector onto the channel bars of both frames.



3
Turn dial to the left to lock the L Connector in place. Repeat for each vertical section (4 total).



*Back side of 4x4 shown above.