

Formulate 8' Straight, 10' Height

FMLT-WS0810

Formulate® is a collection of sophisticated, ergonomically designed exhibit booths. Formulate combines state-of-the-art zipper pillowcase dye-sublimated fabric coverings with advanced lightweight aluminum structures to provide unique design, functionality, and style. The excellence of the Formulate line of displays, hanging structures and products is simply unmatched. Stretch fabric graphics are hand-sewn, durable and dry-cleanable.



features and benefits:

- State-of-the-art 30mm aluminum tube frame with snap button assembly
- Easy to store and ship
- Quick to set up
- Frame converts down to an 8' height
- 8' height graphic sold separately
- Kit includes: one frame, one dye-sublimated zipper pillowcase graphic, and one wheeled molded storage case
- Lifetime hardware warranty against manufacturer defects

dimensions:

Hardware	Graphic
<p>Assembled unit: 92.78" w x 120.5" h x 17.72" d 2356mm(w) x 3061mm(h) x 450mm(d)</p> <p>Approximate weight: 27 lb / 13 kg</p>	<p>Refer to related graphic template for more information.</p> <p>Visit: www.exhibitors-handbook.com/graphic-templates</p>
Shipping	additional information:
<p>Packing case(s): 1 OCL</p> <p>Shipping dimensions: 57" l x 19" h x 19" d 1448mm(l) x 483mm(h) x 483mm(d)</p> <p>Approximate total shipping weight: 47 lb / 22 kg</p>	<p>Graphic material: Dye-sublimation zipper pillowcase fabric</p> <p>When included in a larger kit, a different packaging solution will be listed to accommodate all contents of the kit. Individual packaging no longer provided.</p>

We are continually improving and modifying our product range and reserve the right to vary the specifications without prior notice. All dimensions and weights quoted are approximate and we accept no responsibility for variance. E&OE. See Graphic Templates for graphic bleed specifications.

Included In Your Kit

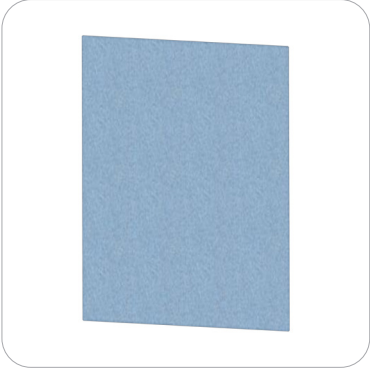
Components, Connectors & Graphics



FMLT-WS8-F x1



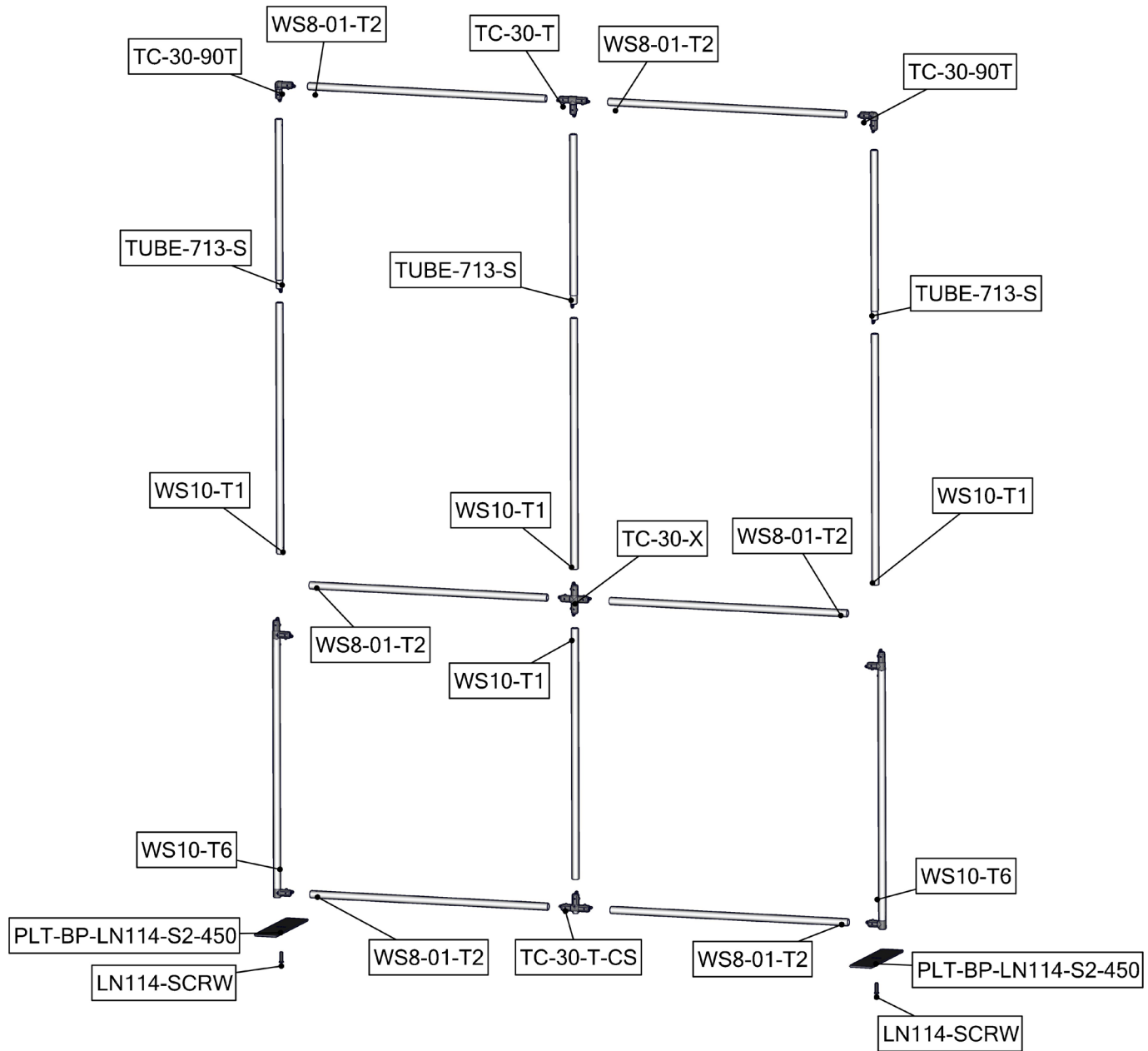
FMLT-10FT-EXT-3 x1



FMLT-WS0810-G x1

Exploded View

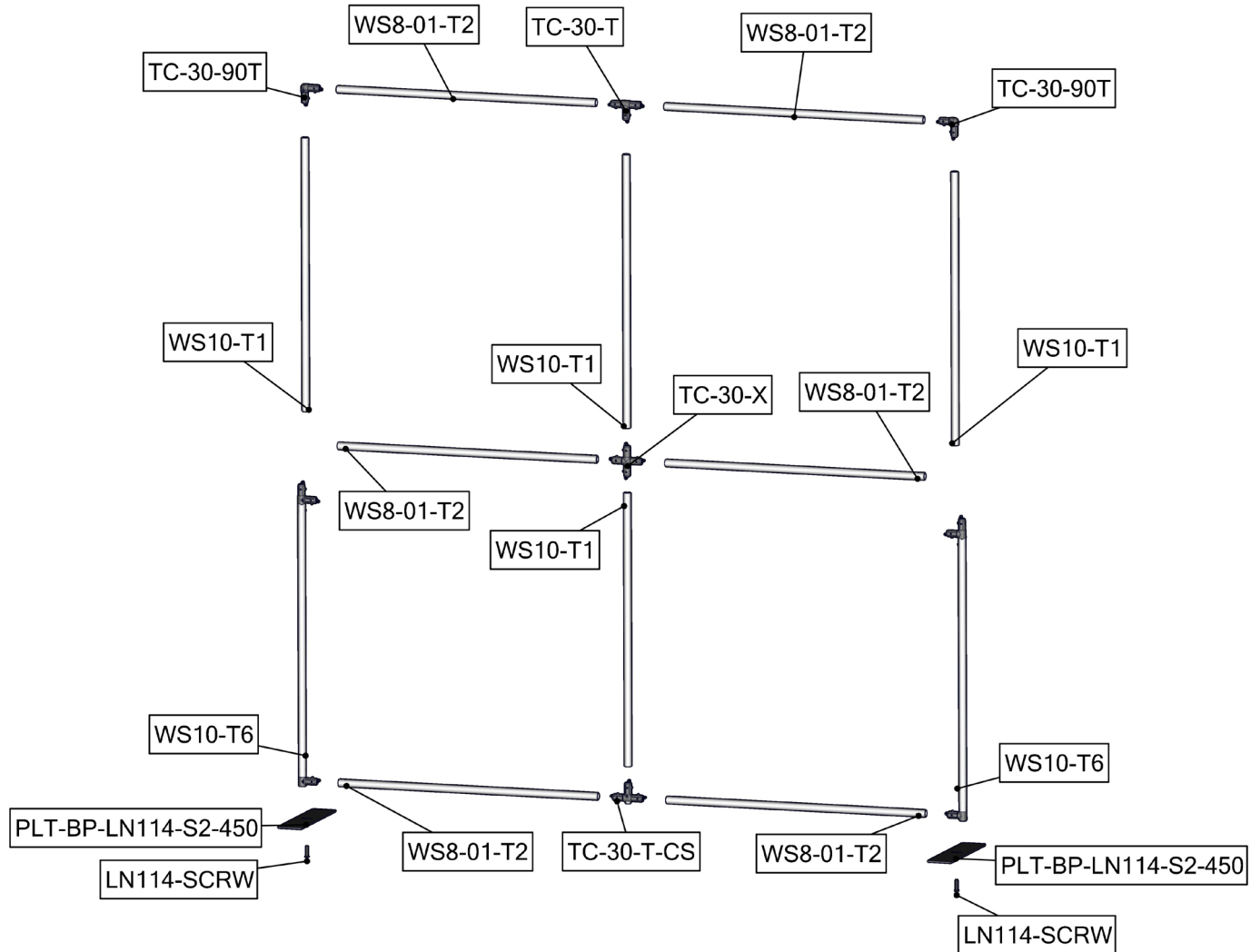
FMLT-WS0810



Exploded View for 8' Height Frame Option

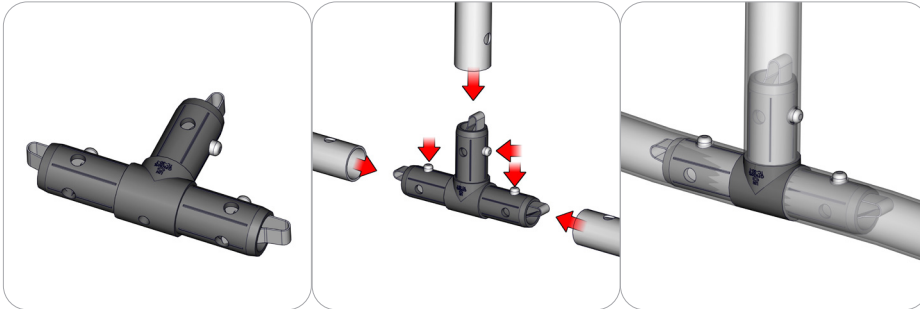
FMLT-WS8-F

8' height graphic sold separately



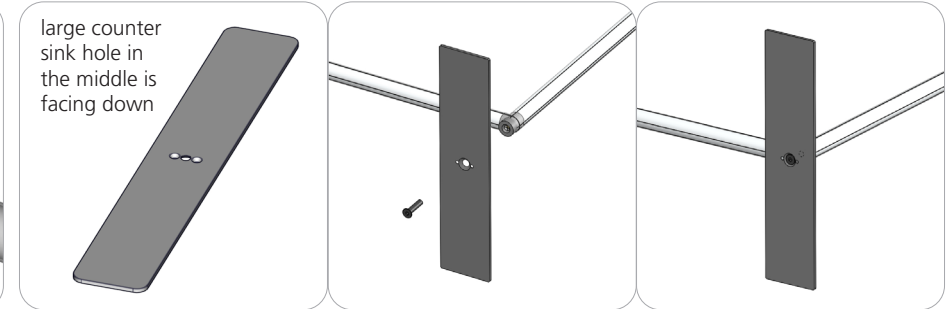
Connection Methods

Connection Method 1: Snap Buttons



Locate the hole on the corresponding tube. Press the snap button with your thumb and slide the tube and connector together so that the snap button snaps fully into the lock hole. To disassemble, press the snap button and pull apart.

Connection Method 2: Stabilizing Base Plates



First, make sure you have the stabilizing base plate with the large counter sink hole facing down for a flush finish when inserting the screw from the under side. Second, fasten the plate into the plastic tube connector. Use the provided allen key tool to make a tight fit. Do not over tighten. Loosen the screw to rotate the plate.

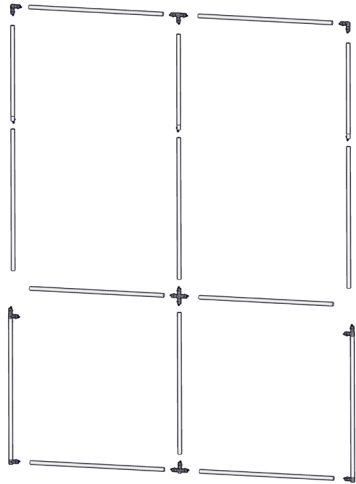
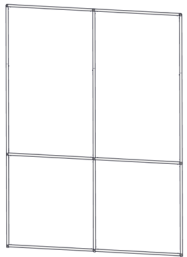
Kit Assembly

Step by Step

Step 1.

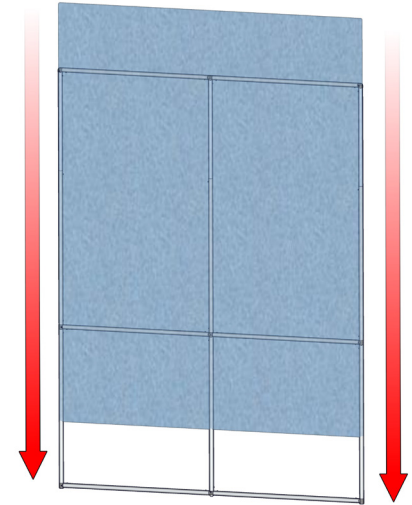
Gather the components to build the frame. Use the Exploded View for part labels.

Reference Connection Method(s) 1 for more details.



Step 2.

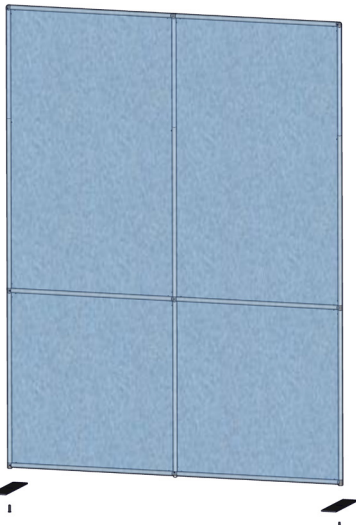
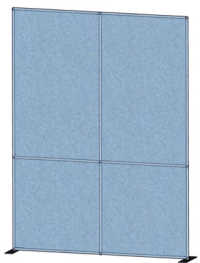
Pull the pillowcase graphic over the frame and zipper it closed at the bottom.



Step 3.

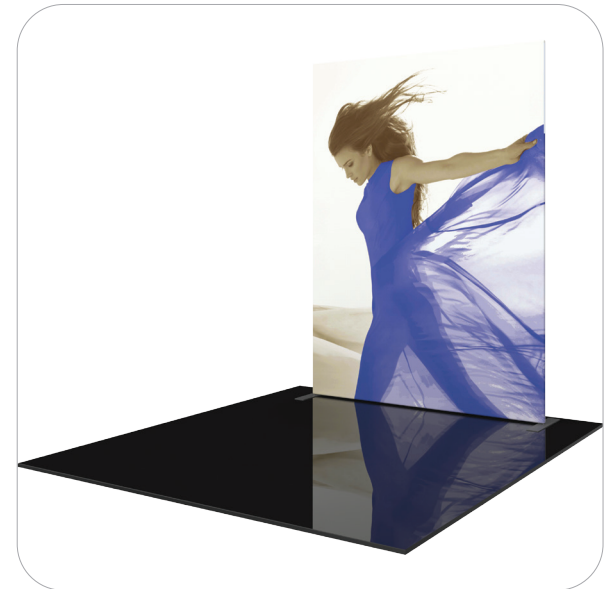
Attach the stabilizing bases to the bottom ends of the of the frame.

Reference Connection Method(s) 2 for more details.



Step 4.

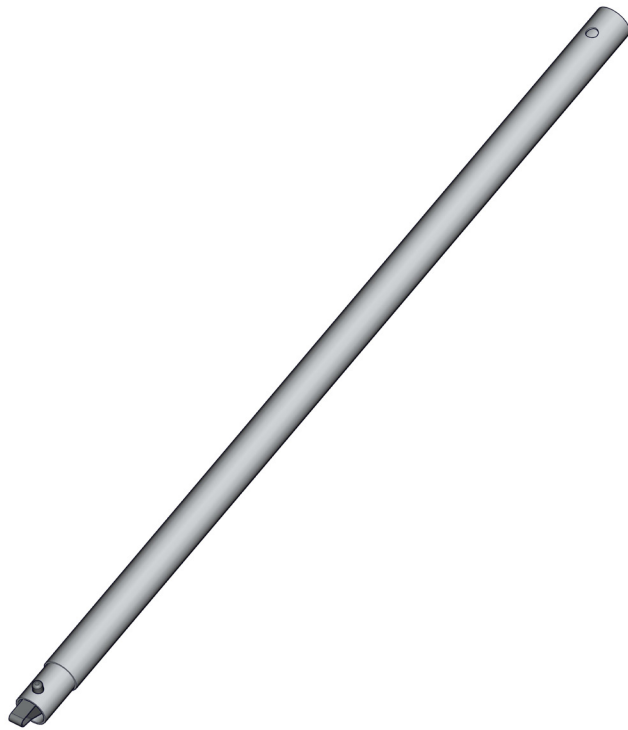
Setup is complete.



Formulate Tube Spreader

TUBE-713-S

Your Formulate® Display Wall conveys your message and communicates your ideas to the world but what if the standard height just isn't enough? Now you have the option to add an additional 2 feet in height to most Formulate display walls creating the ultimate impact for your brand! Make the most of your message with an easy to assemble display addition that will attract attention from across the room.



features and benefits:

- 30mm anodized silver extrusion
- Male end is swage fit with snap button
- Female end is open with hole for snap button
- Tool-less and easy to install snap button connections
- Converts an 8ft high backwall kit into a 10ft high back wall
- Lifetime hardware warranty against manufacturer defects

dimensions:

Hardware

Graphic

30.34" w x 1.37" h x 1.16" d
771mm(w) x 35mm(h) x 30mm(d)

Refer to related graphic template for more information.

Approximate weight:
.5 lb / .23 kg

Visit:
www.exhibitors-handbook.com/graphic-templates

Shipping

additional information:

One box(es)

When included in a larger kit, a different packaging solution will be listed to accommodate all contents of the kit. Individual packaging no longer provided.

31" l x 4" h x 4" d
785mm(l) x 102mm(h) x 102mm(d)

Approximate box weight: 1 lb / .45 kg

Approximate shipping weight(s):

TUBE-713-S
1.5 lb / .68 kg

FMLT-10FT-EXT-3
2.5 lb / 1.13 kg

FMLT-10FT-EXT-4
3 lb / 1.36 kg

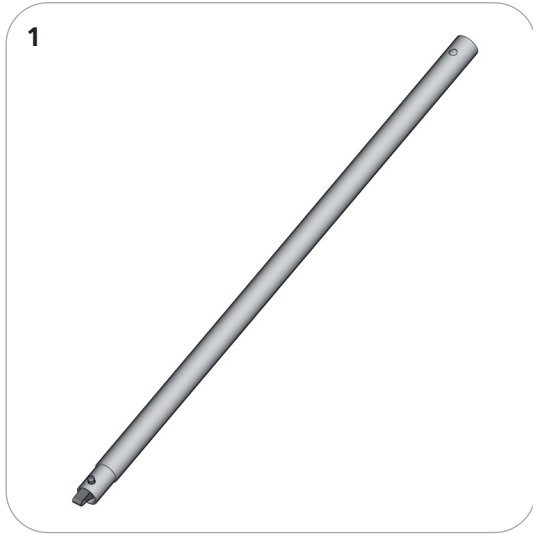
FMLT-10FT-EXT-5
4 lb / 2 kg

FMLT-10FT-EXT-7
4.5 lb / 2.04 kg

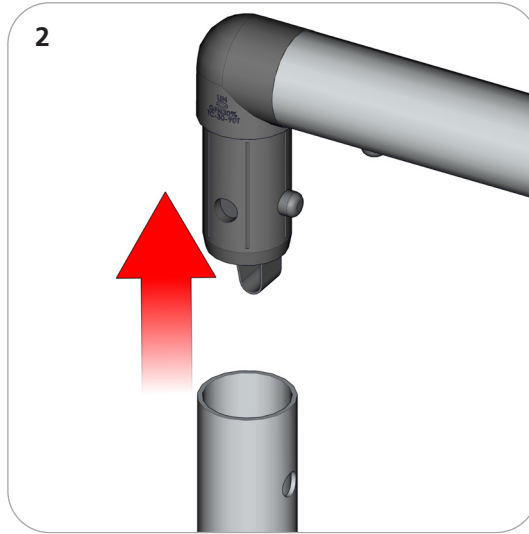
We are continually improving and modifying our product range and reserve the right to vary the specifications without prior notice. All dimensions and weights quoted are approximate and we accept no responsibility for variance. E&OE. See Graphic Templates for graphic bleed specifications.

Connection Methods

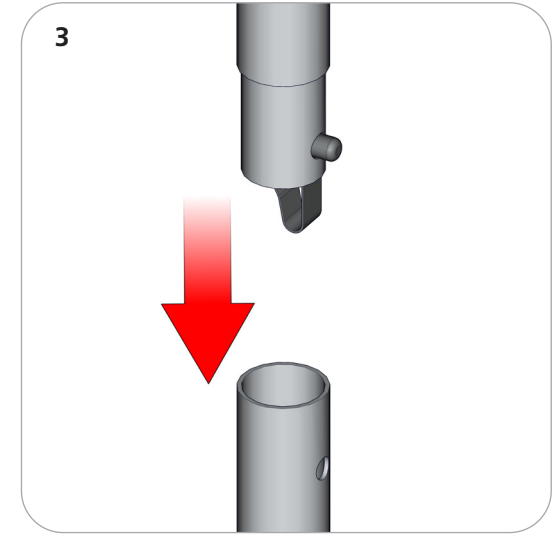
TUBE-713-S



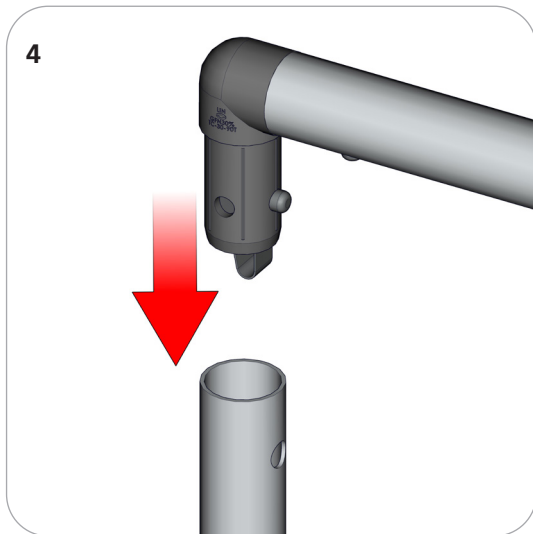
First, notice that the 30mm tube spreader has been universally created to feature a swaged end and an open end to fit with most Formulate display wall frames.



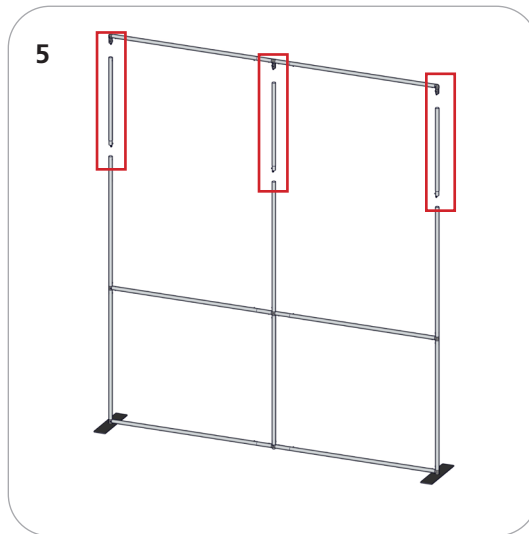
Second, disconnect the snap button connectors at the top of the display wall frame. Continue to remove the entire horizontal row of tubes.



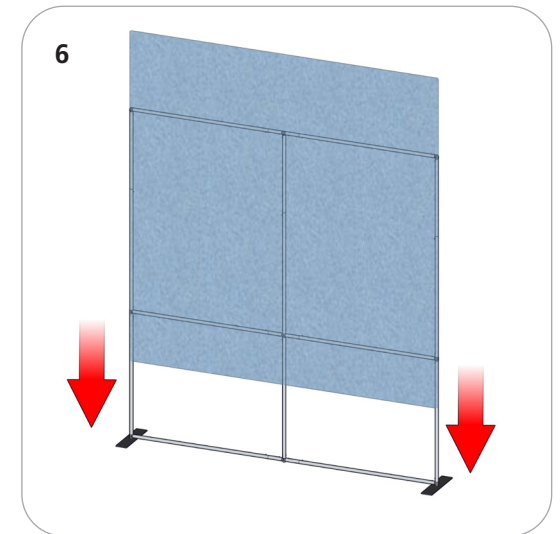
Third, take the male end of the spreader tube and snap it in place of the back wall snap button connectors.



Fourth, take the male end of the plastic connector and snap it into the spreader tube open end.



Fifth, repeat steps 2 - 4 for the rest of the back wall upright connections.



Sixth, apply the 10' high fabric pillowcase over the back frame and zipper it closed.