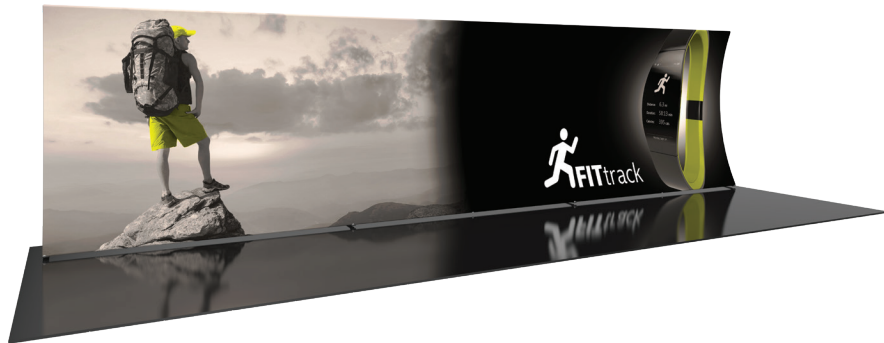


# Formulate Designer Series 30' Backwal - Kit 04

## FMLT-DS-30-04

Formulate® Designer Series 30ft displays have unique stylistic features and shapes, are portable and easy to assemble. The aluminum tube frame features snap-buttons and/or spigot connections and zipper pillowcase fabric graphics. All displays come in portable, wheeled transit cases. Simply pull the pillowcase fabric graphic(s) over the frame and zip.



## features and benefits:

- Premium aluminum tube frames with snap button/ spigot assembly
- Vertical curved shaped frame
- Easy to store and ship
- Quick to set up
- Weighted feet for added stability
- Zipper pillowcase fabric graphic
- Lifetime limited hardware warranty against manufacturer defects

## dimensions:

### Hardware

Assembled unit:  
350.05" w x 91.84" h x 23.97" d  
8891mm(w) x 2333mm(h) x 609mm(d)

Approximate weight with cases:  
118 lbs / 53.5 kgs

### Shipping

Packing case(s):  
2 OCE

Shipping dimensions:  
41" l x 18" h x 17" d  
1042mm(l) x 458mm(h) x 432mm(d)

Approximate total shipping weight  
(includes cases & graphics):  
149 lbs / 67.6 kgs

### Graphic

Refer to related graphic template for more information.

Visit:  
[www.exhibitors-handbook.com/graphic-templates](http://www.exhibitors-handbook.com/graphic-templates)

## additional information:

Graphic material:  
dye-sublimation zipper pillowcase fabric

We are continually improving and modifying our product range and reserve the right to vary the specifications without prior notice. All dimensions and weights quoted are approximate and we accept no responsibility for variance. E&OE. See Graphic Templates for graphic bleed specifications.

# Included In Your Kit

Tools, Components,  
& Connectors



HEX KEY SET x1



TC-30-90T x2

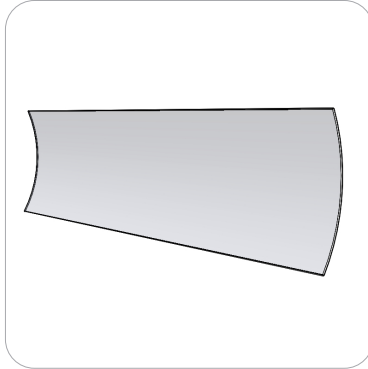


LN114-SCRW x4



PLT-BP-WVC-STD x4

Graphics



FMLT-DS-30-04-G x1

# Included In Your Kit



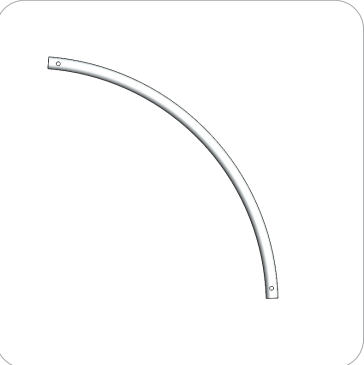
WV10-01-T4 x3



WV20-01-T1 x2

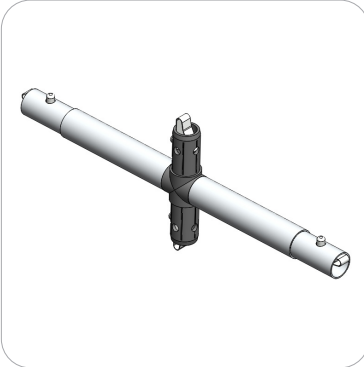


WV10-01-T1 x18

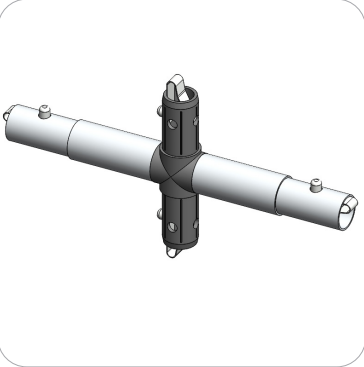


WV10-01-T2 x12

Tubes



WV10-01-T5 x3



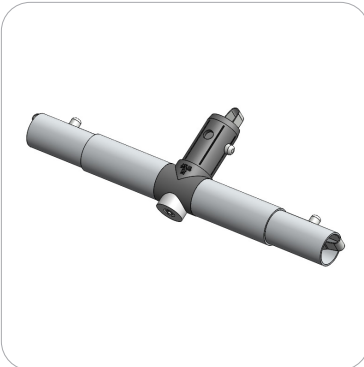
WV20-01-T2 x2



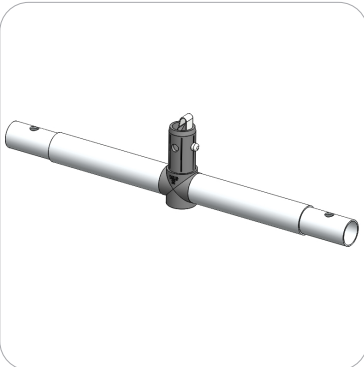
WV10-01-T2-L x1



WV10-01-T2-R x1



WV10-01-T7 x3

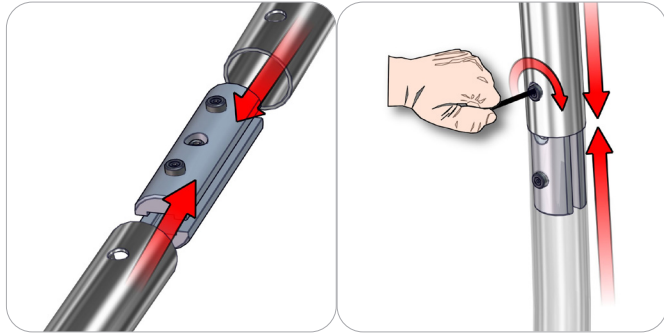


WV20-01-T7-TB x2

# Connection Methods

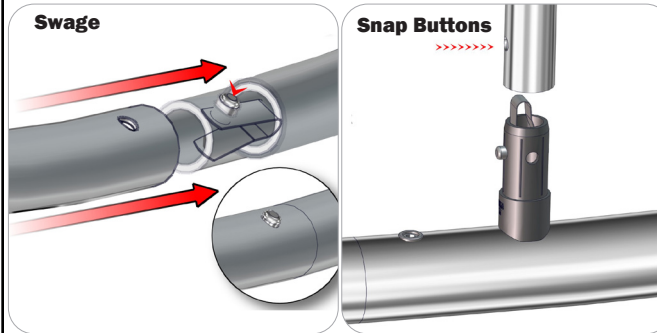
Formulate™ structures use a number of different yet simple connection methods. Your kit will include one or more of the connection methods shown below. Steps within the Kit Assembly will reference a specific method for each connection point.

## Connection Method 1: ES30 / ES50 / ES75



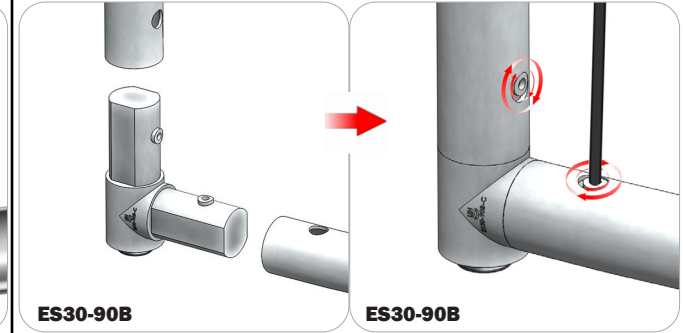
Compress the unlocked connector and slide one tube onto each end. Lock both screws carefully using your hex key tool. Be sure to lock securely, but do not over tighten.

## Connection Method 2: Snap Buttons & Swage



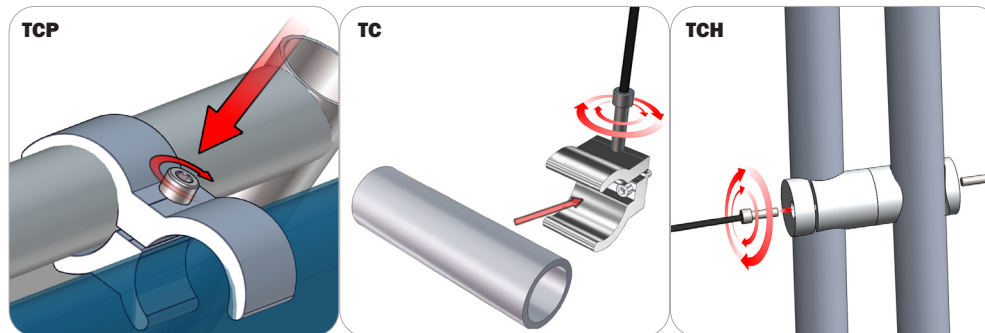
Locate the snap button on the connector or swage tube. Locate the hole on the corresponding tube. Press the snap button with your thumb and slide the tube and connector together so that the snap button snaps fully into the lock hole. To disassemble, press the snap button and pull apart.

## Connection Method 3: ES30-90B / ES30-I / ES30-C



Compress one unlocked end of the connector and slide it through one tube end. Compress the other end of the connector and slide the second tube on. Lock both screws carefully using your hex key tool. Be sure to lock securely, but do not over tighten.

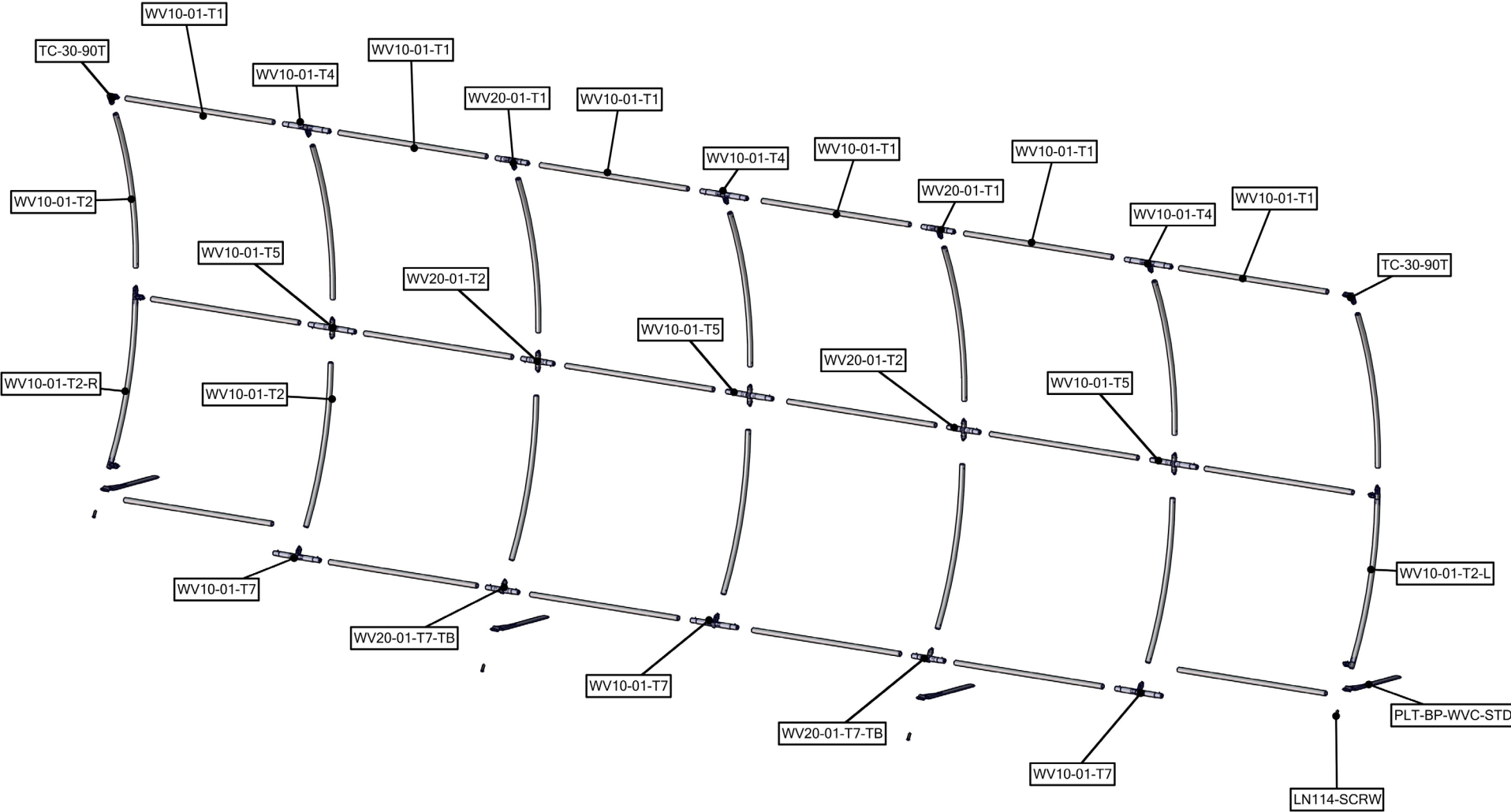
## Connection Method 4: Tube Clamps



Be sure to fully assemble all frames before using clamps. With the clamp unlocked, place one tube of the first frame into the mouth of the clamp. Place the second tube (if applicable) into the second mouth of the clamp. With both frame's tubes in the clamp, be sure to lock securely, but do not over tighten.

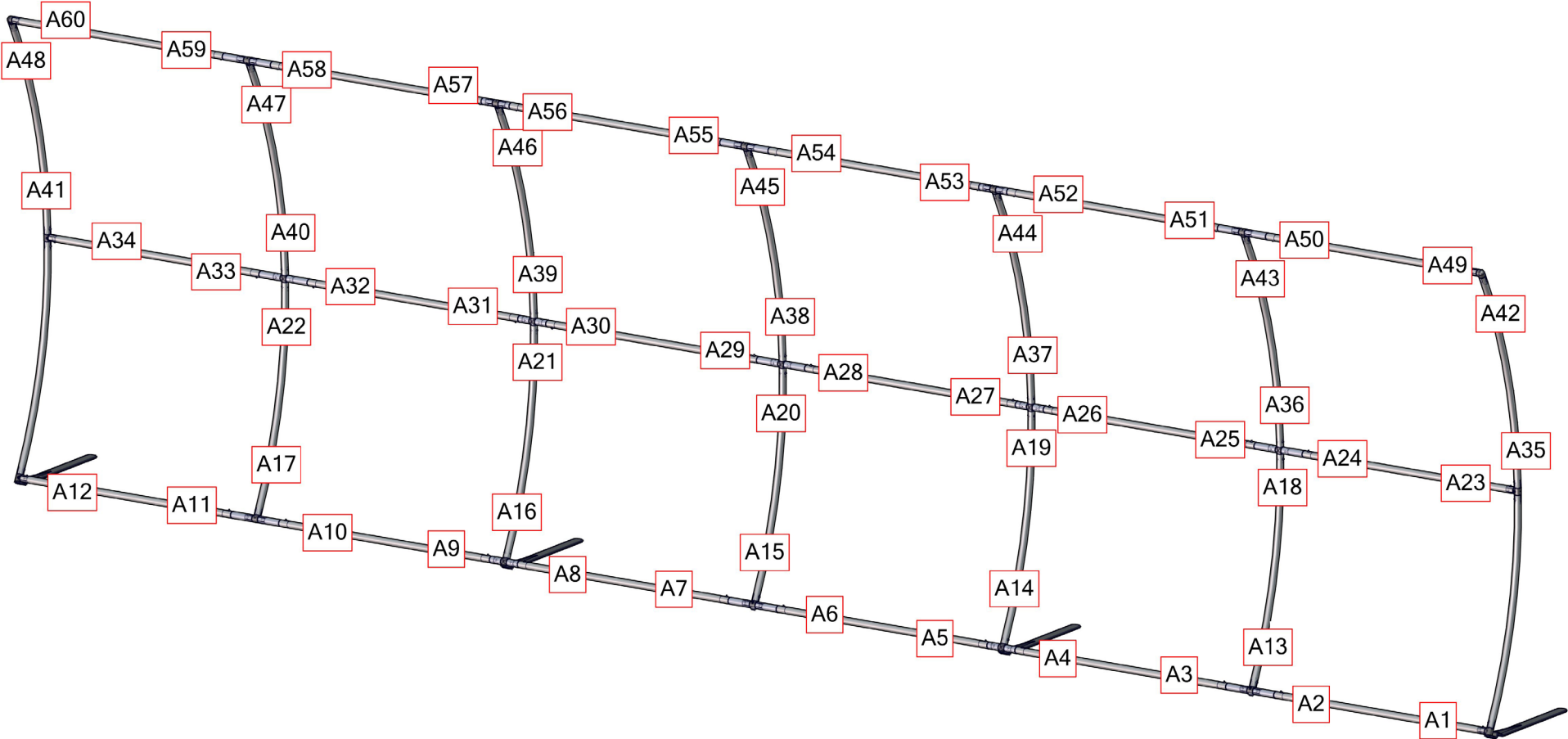
# Exploded View

FMLT-DS-30-04



# Labeling Diagram

FMLT-DS-30-04



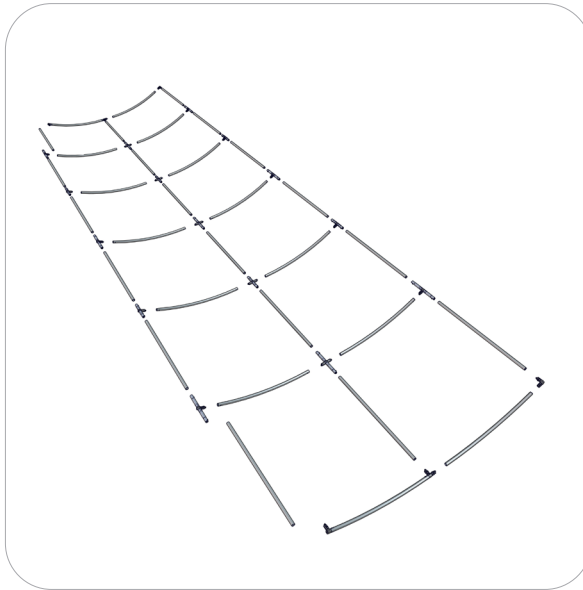
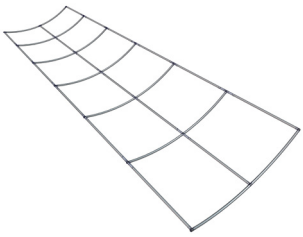
# Kit Assembly

## Step by Step

### Step 1.

Assemble the frame laid out on the floor according to the Labeling Diagram and the Exploded View.

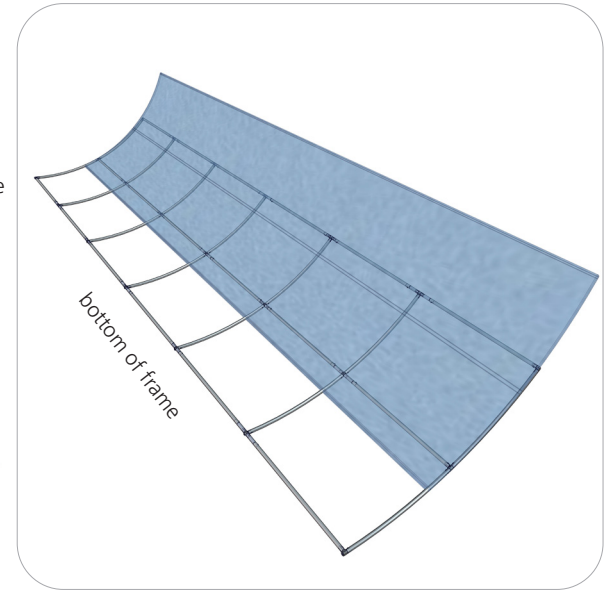
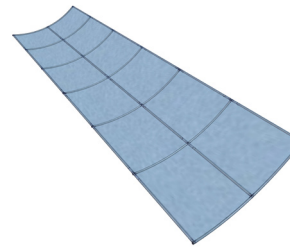
Please reference Connection Method 2 for more details.



### Step 2.

Apply the pillowcase fabric graphic on the frame by pulling it over the top.

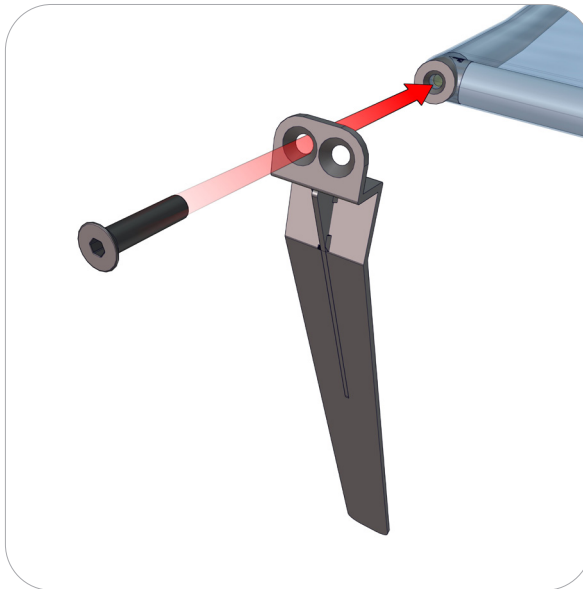
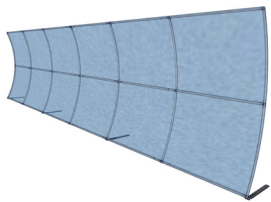
Multiple zippers are located at the bottom end.



### Step 3.

Attach the stabilizing bases on the protruding plastic connectors of the frame. Using the provided hand-tool, tighten the screw for a secure and snug fit. Lift and stand your structure upright.

Please reference Connection Method 1 for more details.



### Step 4.

Setup is complete.

