

# Formulate Designer Series 10' Backwall - Kit 07

## FMLT-DS-10-07

Formulate® Designer Series 10ft displays have unique stylistic features and shapes, are portable and easy to assemble. The aluminum tube frame features snap-buttons and/or spigot connections and zipper pillowcase fabric graphics. All displays come in portable, wheeled transit cases. Simply pull the pillowcase fabric graphic(s) over the frame and zip.



## features and benefits:

- Premium aluminum tube frames with spigot assembly
- Easy to store and ship
- Quick to set up
- Weighted feet for added stability
- Two zipper pillowcase fabric graphics
- Kit includes: monitor kiosk featuring a medium monitor mount, can hold 32-55" monitor / max weight 40lbs
- Lifetime limited hardware warranty against manufacturer defects

## dimensions:

### Hardware

Assembled unit:  
118.2" w x 96" h x 28.2" d  
3003mm(w) x 2438mm(h) x 716mm(d)

Approximate weight with cases:  
156 lbs / 70.8 kgs

### Shipping

Packing case(s):  
2 OCE Cases

Shipping dimensions:  
OCE: Expandable case length (l) may vary  
40" - 66" l x 18" h x 18" d  
1016mm-1677mm(l) x 458mm(h) x 458mm(d)

Approximate total shipping weight  
(includes cases & graphics):  
170 lbs / 77.1 kgs

### Graphic

Refer to related graphic template for more information.

Visit:  
[www.exhibitors-handbook.com/graphic-templates](http://www.exhibitors-handbook.com/graphic-templates)

## additional information:

Graphic material:  
dye-sublimation zipper pillowcase fabric

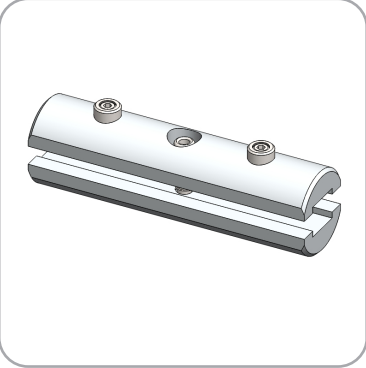
We are continually improving and modifying our product range and reserve the right to vary the specifications without prior notice. All dimensions and weights quoted are approximate and we accept no responsibility for variance. E&OE. See Graphic Templates for graphic bleed specifications.

# Included In Your Kit

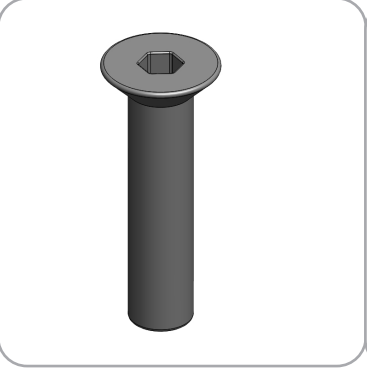
Tools, Components, & Connectors



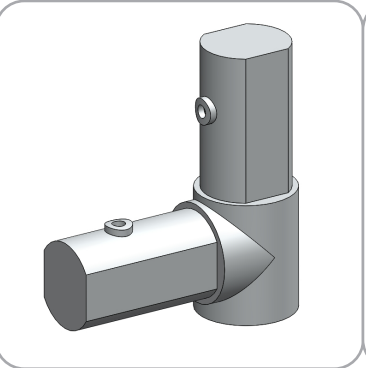
HEX KEY SET x1



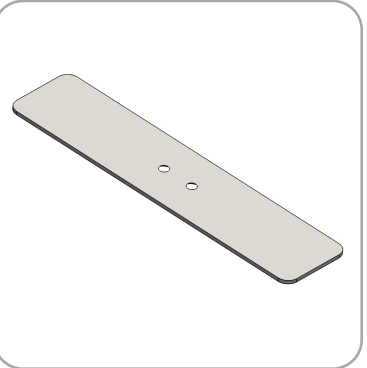
ES30 x13



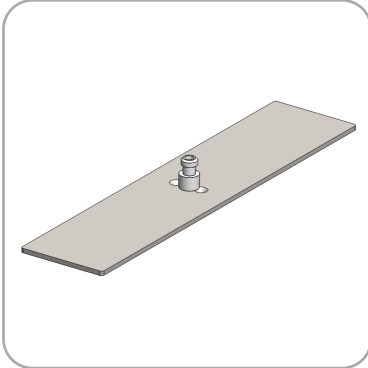
LN114-SCRW x3



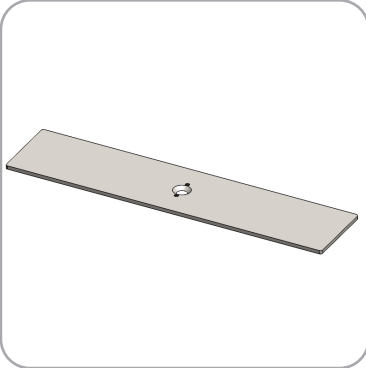
ES30-90B x1



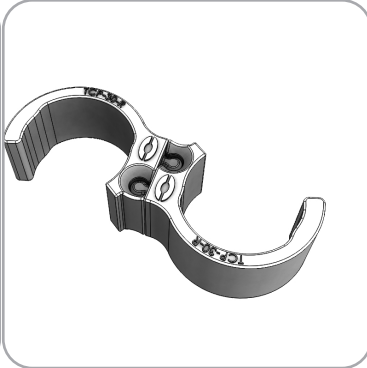
PLT-BP-LN114-S3-450 x1



PLT-BP-LN114-S2-450 x1



PLT-BP-LN114-S2-450 x1

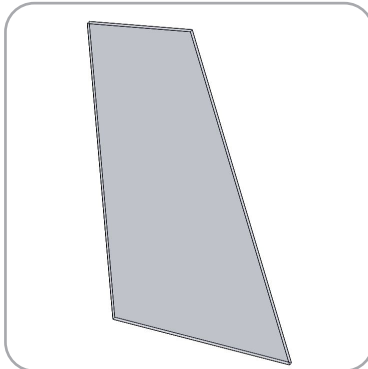


TCP-3030-R x1

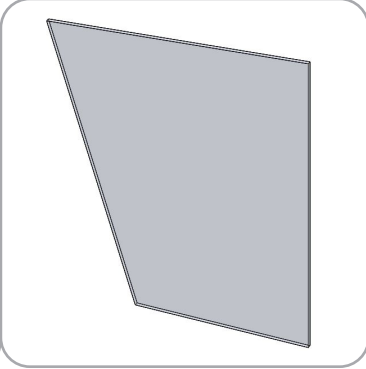


PM4S3-MK-M x1

Graphics



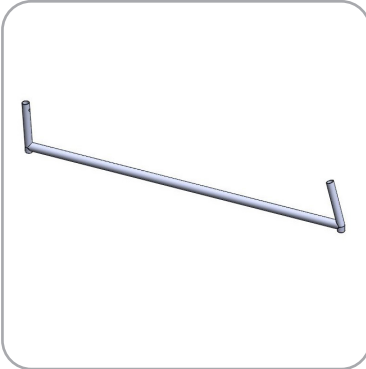
FMLT-DS-10-07-A-G x1



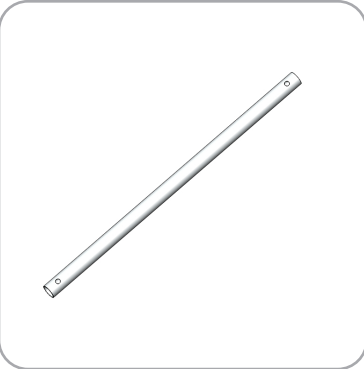
FMLT-DS-10-07-B-G x1

# Included In Your Kit

Tubes



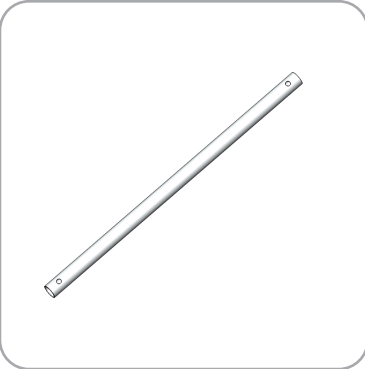
DS-10-07-T1 x1



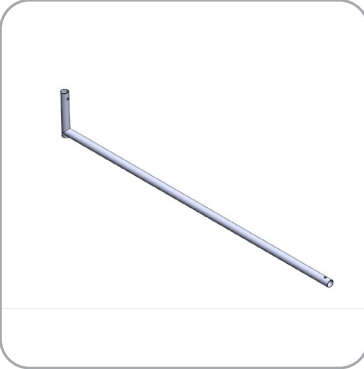
DS-10-07-T2 x2



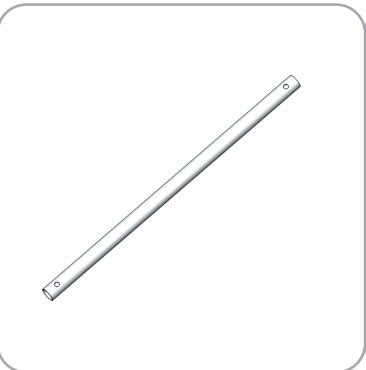
DS-10-07-T3 x1



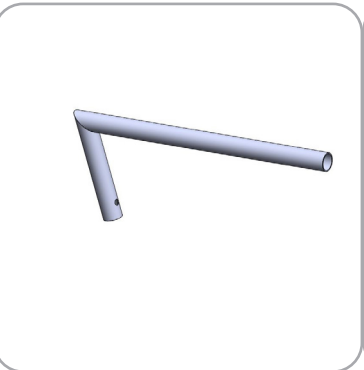
DS-10-07-T4 x2



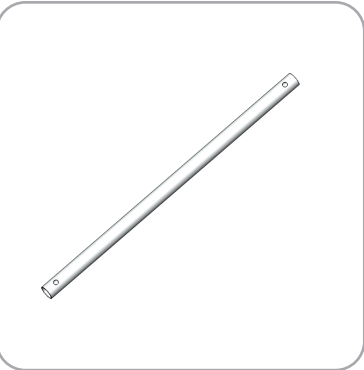
DS-10-07-T5 x1



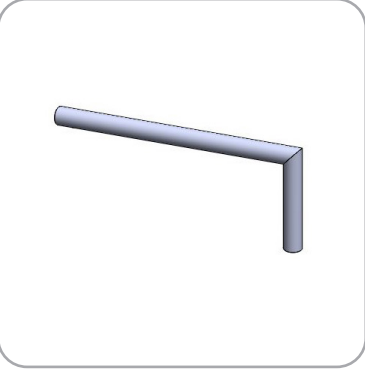
DS-10-07-T6 x2



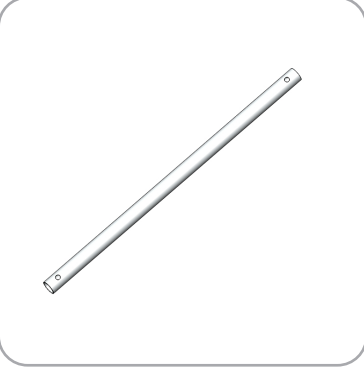
DS-10-07-T7 x1



DS-10-07-T8 x1



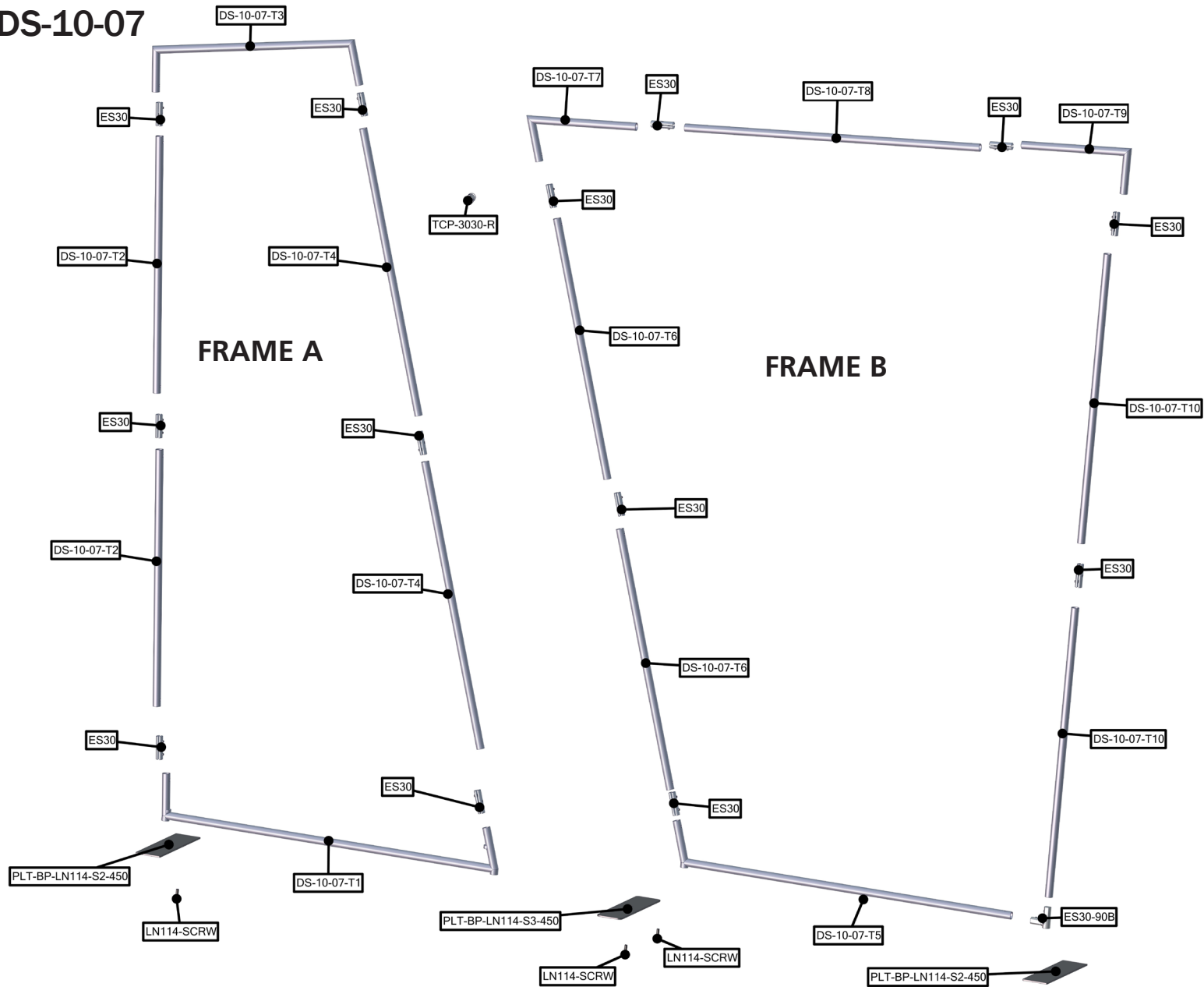
DS-10-07-T9 x1



DS-10-07-T10 x2

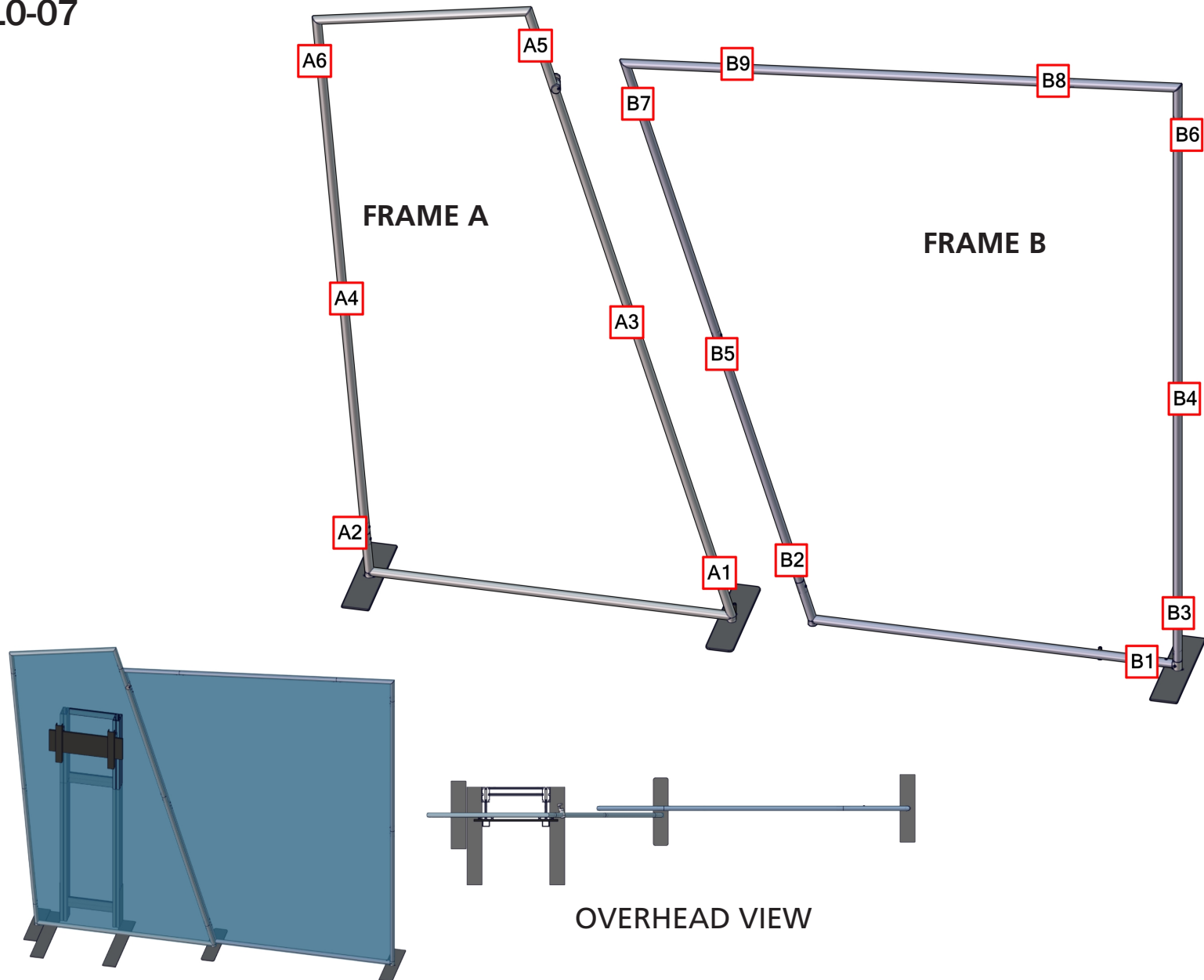
# Exploded View

FMLT-DS-10-07



# Labeling Diagram

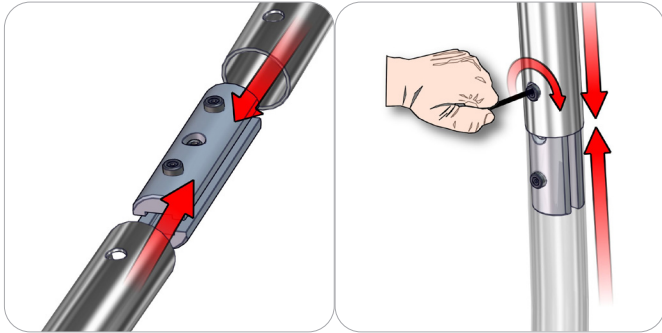
FMLT-DS-10-07



# Connection Methods

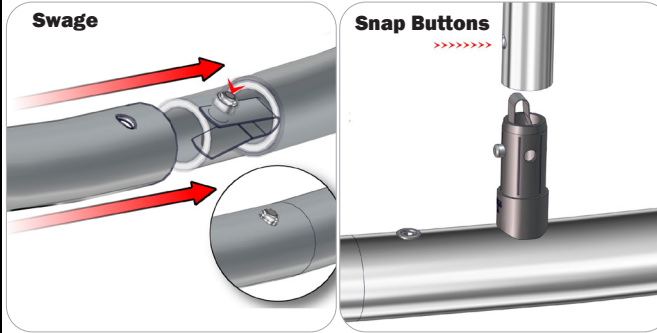
Formulate™ structures use a number of different yet simple connection methods. Your kit will include one or more of the connection methods shown below. Steps within the Kit Assembly will reference a specific method for each connection point.

## Connection Method 1: ES30 / ES50 / ES75



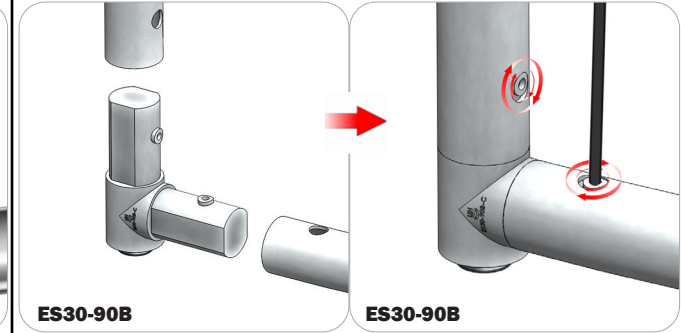
Compress the unlocked connector and slide one tube onto each end. Lock both screws carefully using your hex key tool. Be sure to lock securely, but do not overtighten.

## Connection Method 2: Snap Buttons & Swage



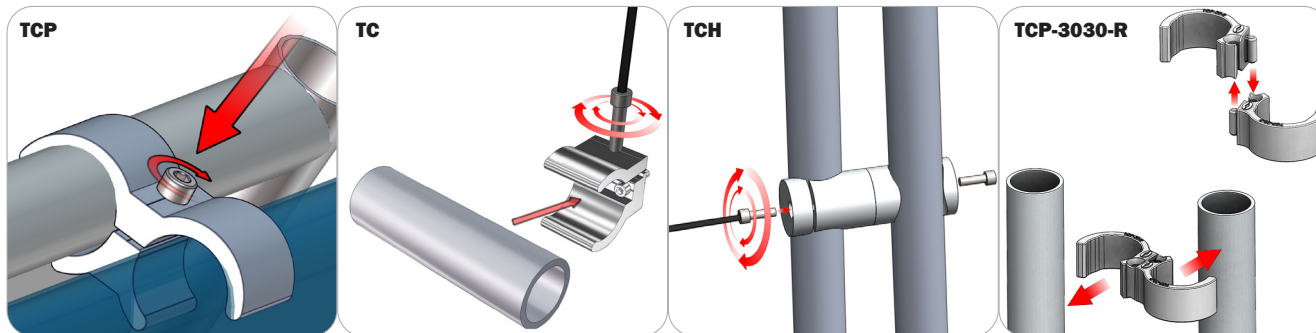
Locate the snap button on the connector or swage tube. Locate the hole on the corresponding tube. Press the snap button with your thumb and slide the tube and connector together so that the snap button snaps fully into the lock hole. To disassemble, press the snap button and pull apart.

## Connection Method 3: ES30-90B / ES30-I / ES30-C



Compress one unlocked end of the connector and slide it through one tube end. Compress the other end of the connector and slide the second tube on. Lock both screws carefully using your hex key tool. Be sure to lock securely, but do not overtighten.

## Connection Method 4: Tube Clamps



Be sure to fully assemble all frames before using clamps. With the clamp unlocked, place one tube of the first frame into the mouth of the clamp. Place the second tube (if applicable) into the second mouth of the clamp. With both frame's tubes in the clamp, be sure to lock securely, but do not overtighten.

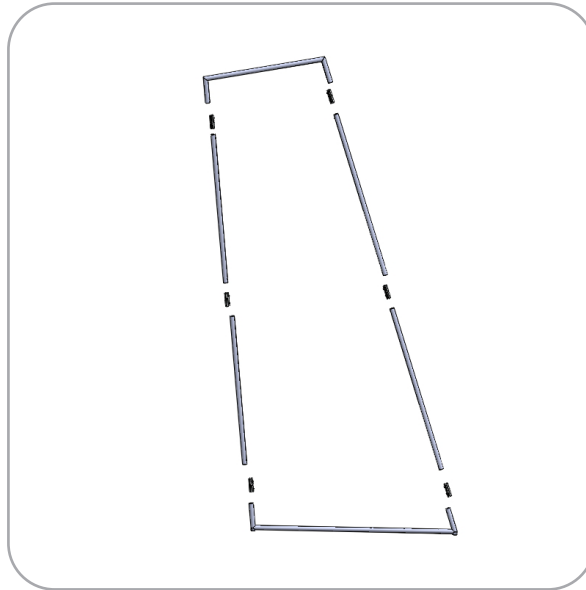
# Kit Assembly

## Step by Step

### Step 1.

Locate the components necessary for assembling Frame A. Assemble your frame in order according to the Labeling Diagram.

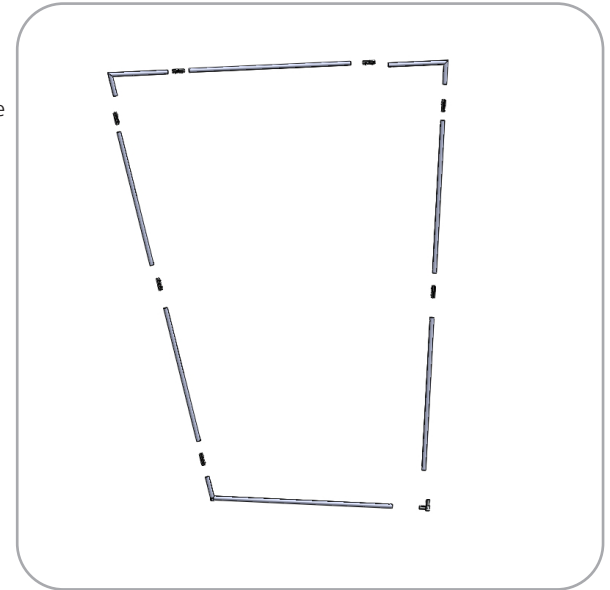
Please reference Connection Methods 1 for more details



### Step 2.

Locate the components necessary for assembling Frame B. Assemble your frame in order according to the Labeling Diagram.

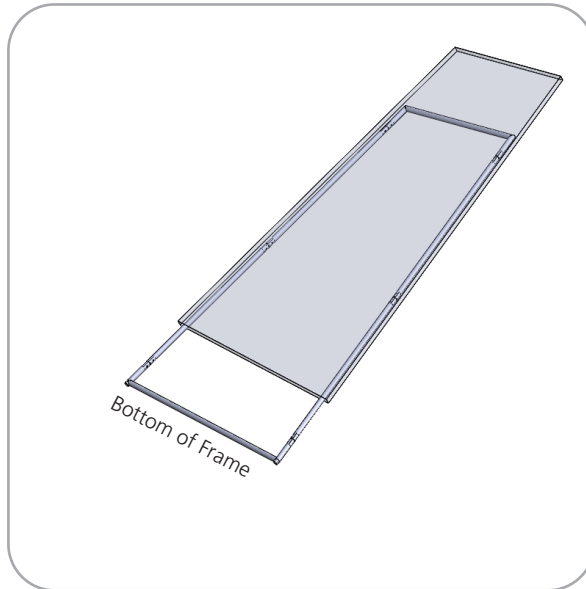
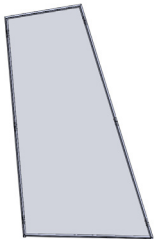
Please reference Connection Methods 1 and 3 for more details



### Step 3.

Fit graphic A onto Frame A. For ease of installation, pull the fabric cover over the top of the frame while the frame rests flat on the floor. Zip to enclose.

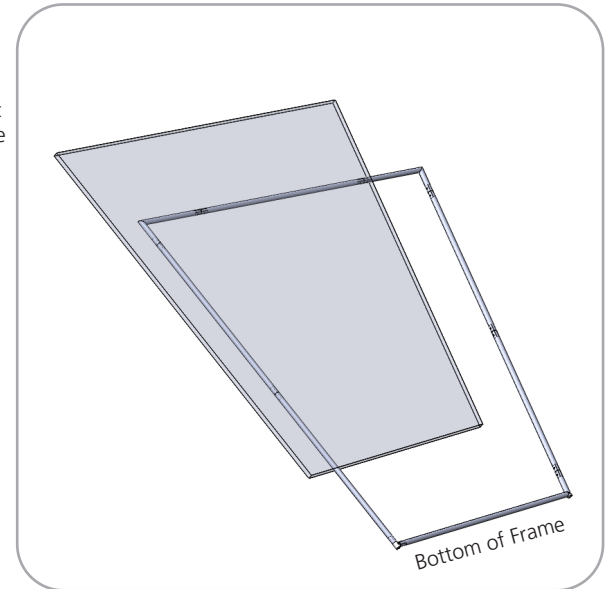
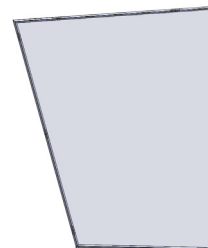
Zipper located to the bottom of Graphic A



### Step 4.

Fit graphic B onto Frame B. For ease of installation, pull the fabric cover over from the top left of the frame downward to the bottom right while the frame rests flat on the floor. Zip to enclose.

Zipper located to the right side and bottom of Graphic B

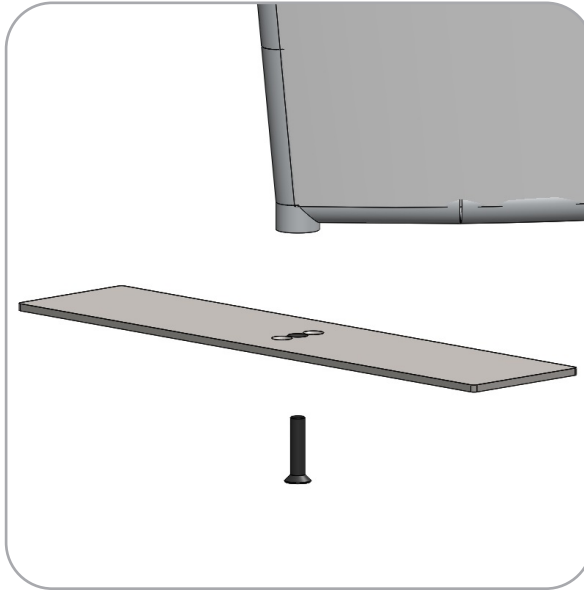
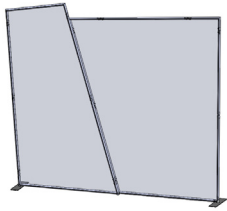


# Kit Assembly

## Step by Step

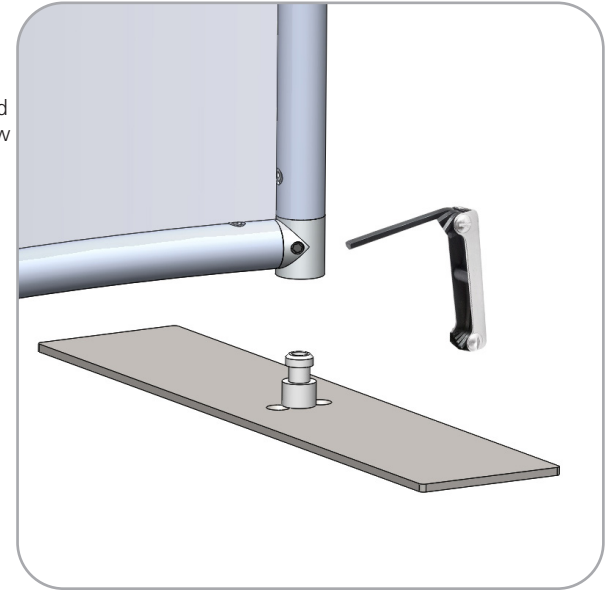
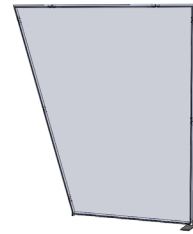
### Step 5.

Locate second LN114-S2-450, and LN114 Screws. Attach to left side of Frame A in order as shown on the figure to the right. Screw the LN114 screw through the bottom of the base to lock in place.



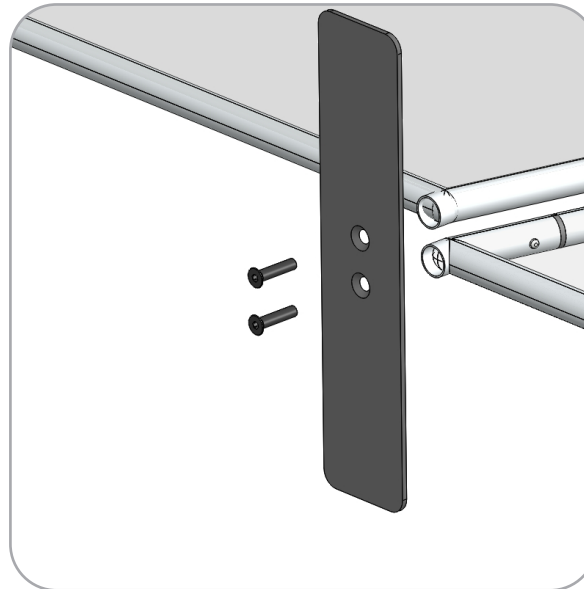
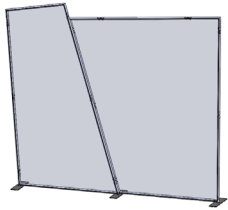
### Step 6.

Locate LN114-S2-450 assemble. Attach the foot onto the right end of Frame B. Tighten the lock screw on the side of the ES30-90B to lock your feet into place.



### Step 7.

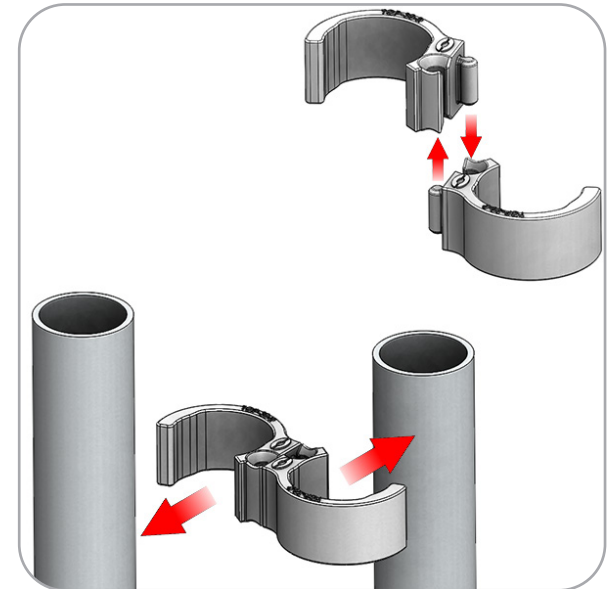
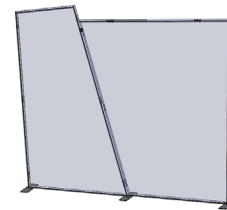
Locate LN114-S3, and the two LN114 Screws. Attach the pieces in order as shown on the figure to the right. Attach to right end of Frame A and left end of Frame B. Screw the LN114 screws through the bottom of the base to lock in place.



### Step 8.

Connect Frame A and B by clamping them together the TCP-3030-R lamp.

Please refer to Connction Method 4 for more details.





# PM4S3 Monitor Kiosk

PM4S3-MK-M  
PM4S3-MK-L

Kiosk displays are portable and easy to assemble. The aluminum extrusion frame features cam locks, tension glide connections and medium or large monitor mounts. This kiosk comes in a expandable shipping case.



## features and benefits:

- Premium aluminum extrusion frames with cam lock and tension glide assembly
- Easy to store and ship
- Quick to set up
- Weighted feet for added stability
- Kiosk Kit includes a medium or large monitor mount
- Lifetime limited hardware warranty against manufacturer defects

## dimensions:

Hardware

Shipping

Assembled unit:  
Medium or Large

Packing case(s):  
Medium or Large  
1 OCE Case

25.59" w x 70.87" h x 25.59" d  
650mm(w) x 1800mm(h) x 650mm(d)

Shipping dimensions:

OCE: Expandable case length (l) may vary  
40" - 66" l x 18" h x 18" d  
1016mm-1677mm(l) x 458mm(h) x 458mm(d)

Approximate weight:  
(excludes cases & monitor mount)  
Medium or Large

Approximate total shipping weight:  
(includes cases & monitor mount)

40 lbs / 19 kgs

Medium  
83 lbs / 38 kgs  
Large  
85 lbs / 39 kgs

## additional information:

-Medium monitor mount can hold 32-55" monitor/ max weight 40lbs

-Large monitor mount can hold 40"-65" monitor/ max weight 40lbs

-Monitor not included

-If shipping with backwall kit cases may vary

We are continually improving and modifying our product range and reserve the right to vary the specifications without prior notice. All dimensions and weights quoted are approximate and we accept no responsibility for variance. E&OE.

# Included In Your PM4S3 Monitor Kiosk

Tools, Components, Connectors & Extrusions



5MM ALLEN-T x1



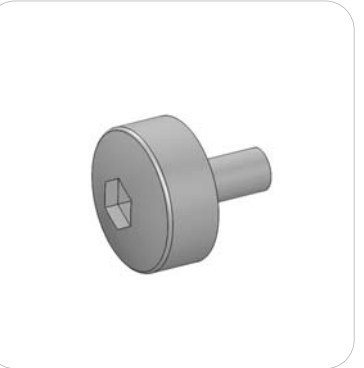
PM4S3-MM-FOOT-L x1



PM4S3-MM-FOOT-R x1



LN100 x6



M5 THUMBSCREW x8



PH2-350-L-L x3



PH5-100-L-L x2



PM4S4-150 x2



PM4S3-600-A165-A165 x2



PM4S3-1200-A165-A165 x2



PH2-300-TG x2

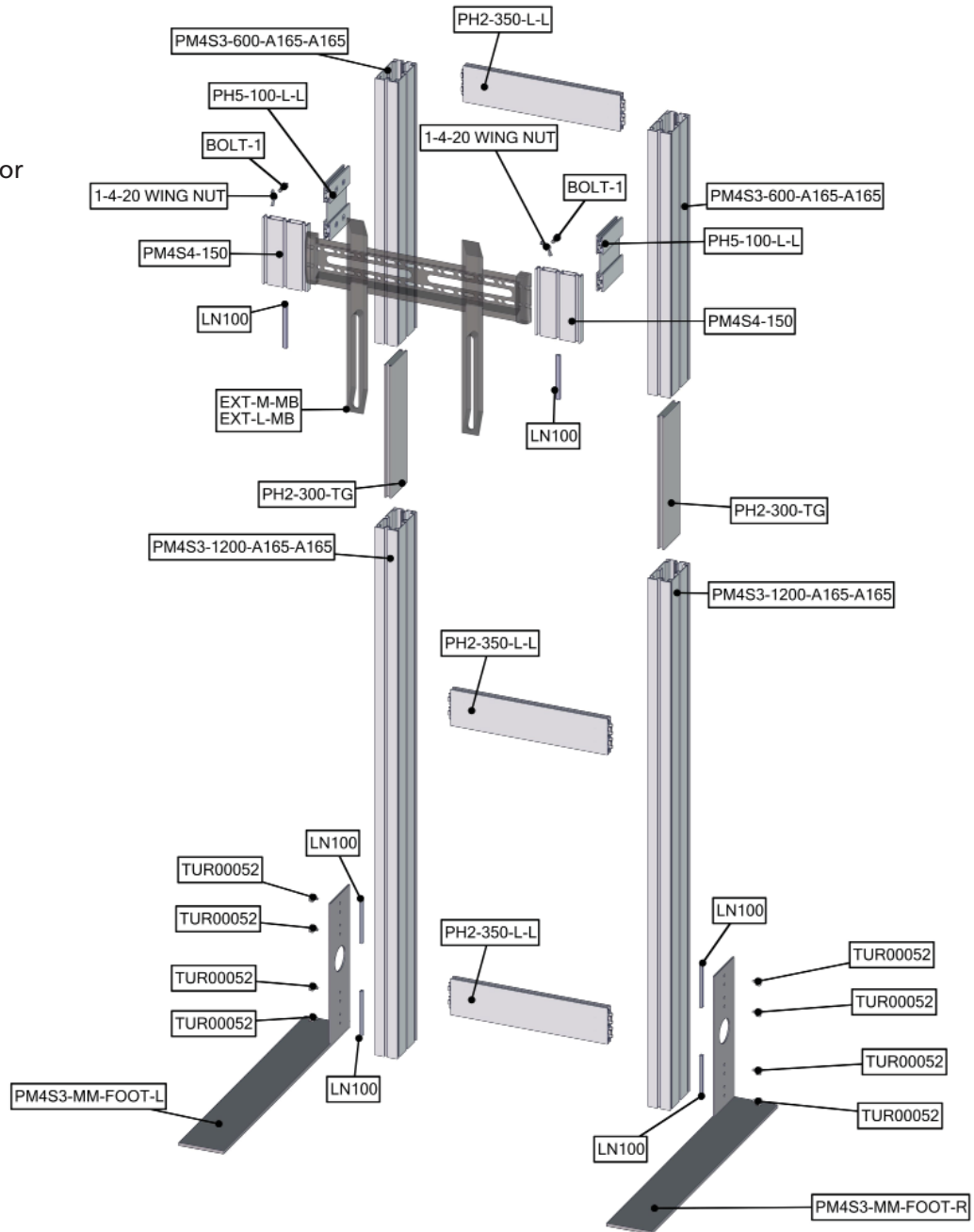


EXT-M-MB (or) EXT-LG-MB x1  
Fastening Hardware Included

# Exploded View

## PM4S3-MK-M PM4S3-MK-L

Please note:  
This is the the kiosk frame build for  
either medium or large kit.

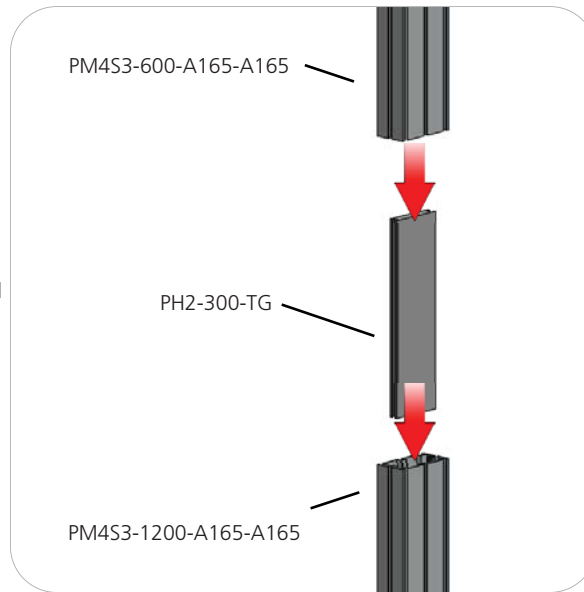


# Kit Assembly

## Step by Step

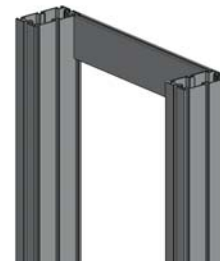
### Step 1.

Reference the image to the right. Locate the coded extrusions. Slide the PH2-300-TG connector into one end of the PM4S3-1200-A165-A165 so that it goes as deep as the internal pins. Connect the PM4S3-600-A165-A165 by sliding it over the PH2-300-TG. Repeat for this step for the second vertical.



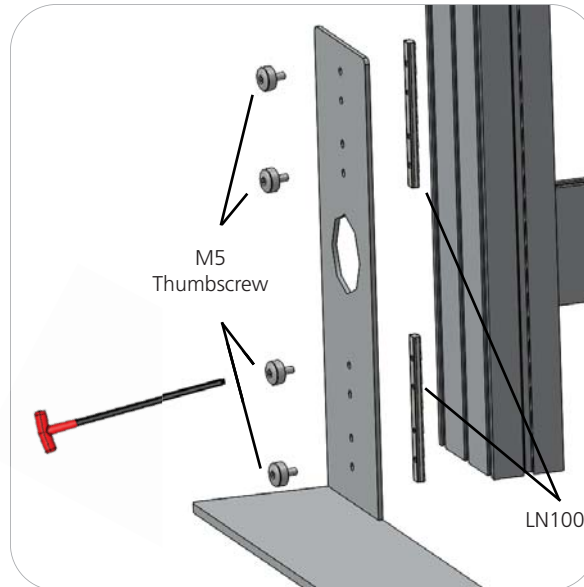
### Step 2.

Collect your extrusions and handtool. Using the provided handtool, lock the extrusions into the back channel of the three channel PM4S3 faces as shown in the image below. Be sure the locks face toward the back of the assembly and do not over tighten.



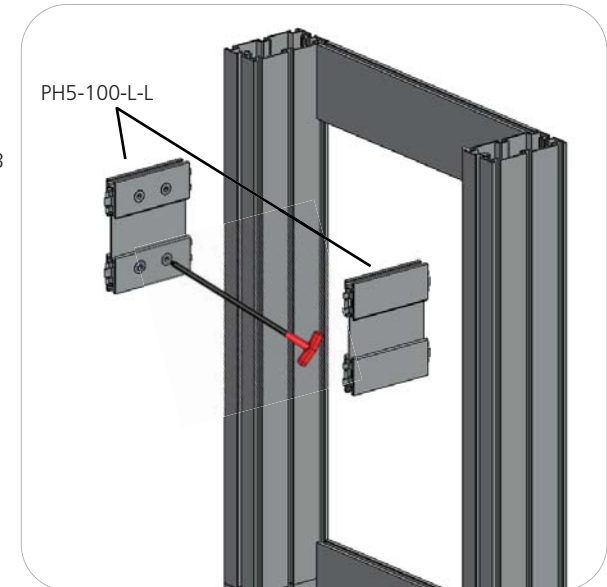
### Step 3.

Locate the M5 thumbscrews, LN100s, and the PM4S3-MM stabilizing bases. Slide the LN100s into the middle channel of the PM4S3. Hand screw the M5 thumbscrews through the base holes and into the LN100 holes. Use the handtool to securely fasten the M5 Thumbscrews. Do not over tighten.



### Step 4.

Measure from the ground to the center of the hole in your main kit's graphic. Lock the center of your PH5-100-L-L into the PM4S3 stacks at the dimension height of the graphic hole. Do not over tighten.



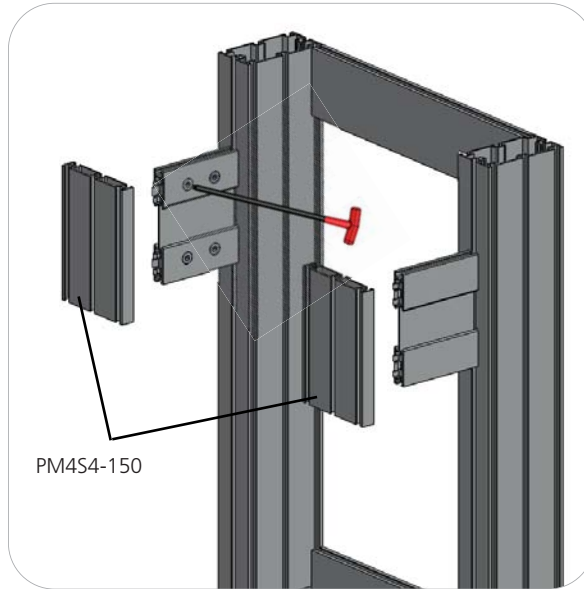
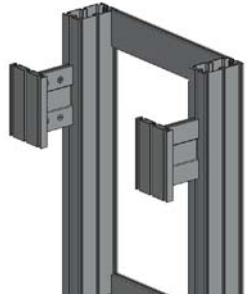
# Kit Assembly

## Step by Step

### Step 5.

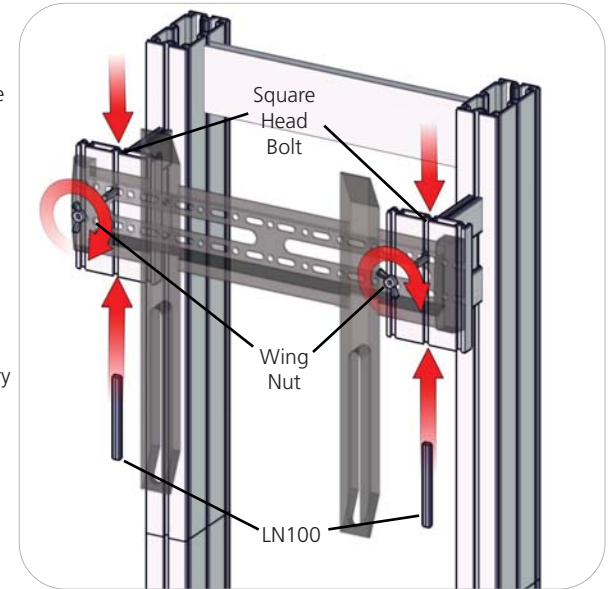
NOTE: Your main backwall assembly must be completed with graphics before completing this step of the monitor kit.

Lock your PM4S4-150 to the ends of the PH5-100-L-L. Do not over tighten.



### Step 6.

Set your monitor stand so that the extrusion arms fit through the graphic hole. Use the provided fastening hardware to complete your monitor stand. Slide the LN100 into the bottom center channel of the PM4S4-150. Next, slide the Square Head Bolt into the top center channel of the PM4S4-150. Apply the monitor bracket and spacer washer before fastening with the wingnut. Monitor mount may vary depending on size. Monitor not included.



### Step 7.

Setup is complete.



# Monitor Bracket Instructions

## Extrusion Channel Applications



### EXT-SM-MB

Sizes: 17" - 37"

Max weight varies per application

**Assembled unit:**

9" w x 16" h x 1.4" d  
230mm (w) x 410mm (h) x 35mm (d)

**Shipping dimensions:**

14" l x 6" h x 4" d  
356mm (l) x 152mm (h) x 102mm (d)

**Approximate total shipping weight:**

6 lbs / 2.7 kgs

**VESA:**

75 x 75 - 200 x 200mm



### EXT-M-MB

Sizes: 32" - 55"

Max weight varies per application

**Assembled unit:**

16" w x 16" h x 1.4" d  
410mm (w) x 410mm (h) x 35mm (d)

**Shipping dimensions:**

24" l x 4" h x 4" d  
610mm (l) x 102mm (h) x 102mm (d)

**Approximate total shipping weight:**

7 lbs / 3.2 kgs

**VESA:**

100 x 100 - 400 x 400mm



### EXT-LG-MB

Sizes: 40" - 65"

Max weight varies per application

**Assembled unit:**

24" w x 16" h x 1.4" d  
610mm (w) x 410mm (h) x 35mm (d)

**Shipping dimensions:**

28" l x 6" h x 6" d  
711mm (l) x 152mm (h) x 152mm (d)

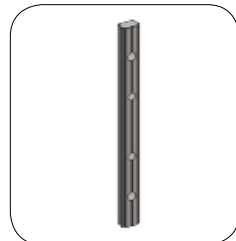
**Approximate total shipping weight:**

8 lbs. / 3.6 kgs

**VESA:**

100 x 100 - 600 x 400mm

### Included hardware:



LN-100

x2



M5 x 10

LN-LCD-SCW

x2



1/4"-20 x 1"

BOLT-1

x2



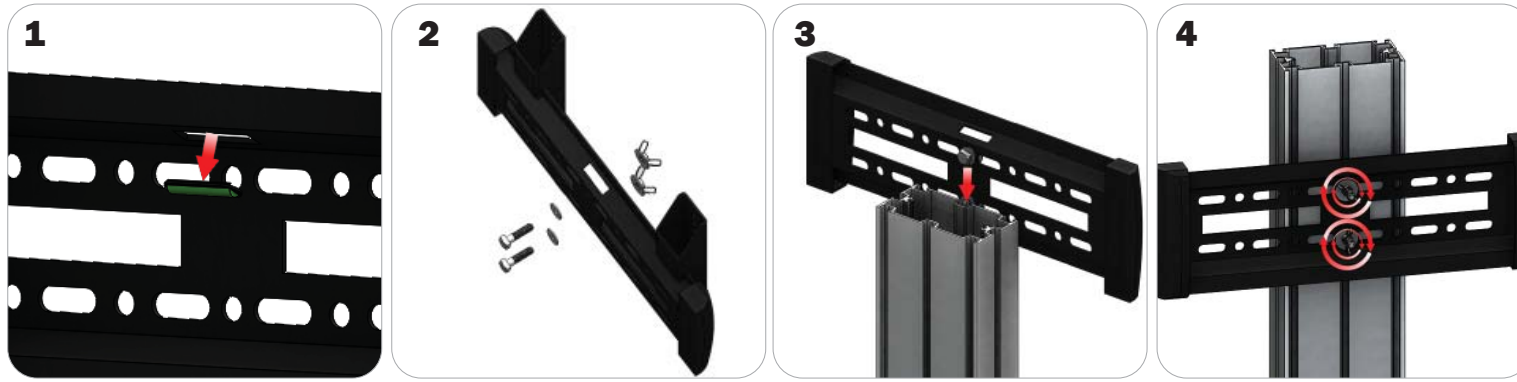
1/4"-20

Flange Wingnut

x2

# EXTRUSION CONNECTION

## Channel Connection A

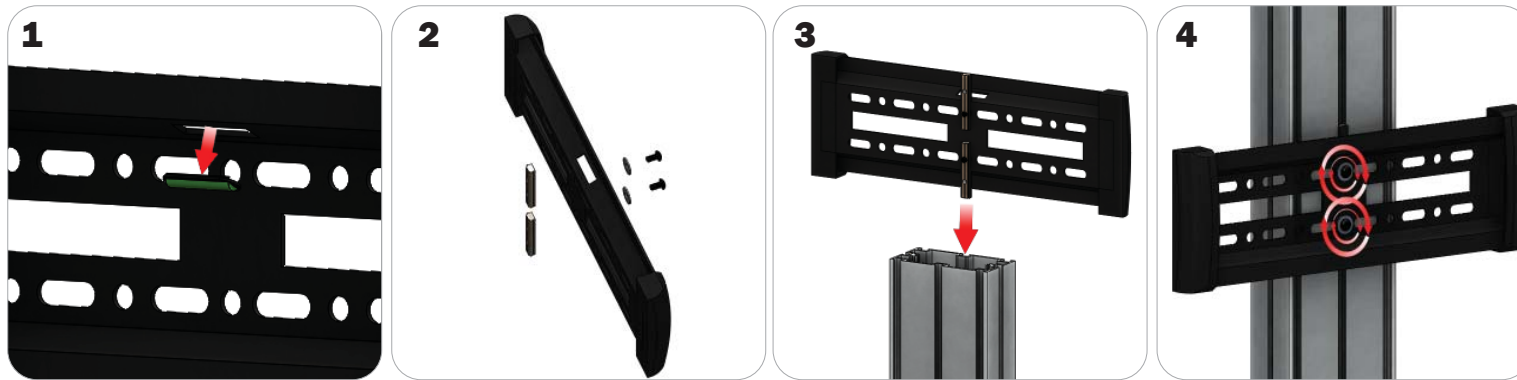


Locate all components needed to assemble the monitor mount with the channel connection A method. You will need (1) monitor bracket, (2) square head bolts, (2) washers, and (2) wingnuts.

**Step 1:** Apply pressure to the rear side of the leveling gauge clipped into the monitor mount to remove it. **Step 2:** Insert the provided bolts through the washers and center top and bottom holes of the monitor mount. Loosely thread your wingnuts onto the end of the bolts. **Step 3:** Slide the bolt heads down the extrusion channel.

**Step 4:** Tighten your wingnuts to lock the monitor bracket in place. **Step 5:** Reference the included manufacturer monitor mount instructions for fastening your monitor to the bracket.

## Channel Connection B



Locate all components needed to assemble the monitor mount with the channel connection B method. You will need (1) monitor bracket, (2) LN-LCD-SCW, (2) LN-100, and (2) washers.

**Step 1:** Apply pressure to the rear side of the leveling gauge clipped into the monitor mount to remove it. **Step 2:** Loosely thread the LN-LCD-SCW screws through the washers, the center top and bottom holes of the monitor bracket, and through the LN-50 holes. **Step 3:** Slide the LN-100s down the extrusion channel. **Step 4:** Tighten your LN-LCD-SCW to lock the monitor bracket in place.

**Step 5:** Reference the included manufacturer monitor mount instructions for fastening your monitor to the bracket.

## TRI-30MM Channel Tube Connection



Locate all components needed to assemble the monitor mount with the TRI-30MM Channel Tube Connection method. You will need (1) monitor bracket, (2) Square Bolts, and (2) Wingnuts.

**Step 1:** Slip the head of the square bolts into the extrusion channel of the tube. **Step 2:** Apply your monitor bracket to the protruding square bolts. **Step 3:** Lock your monitor bracket to the square bolts using the provided wingnuts. **Step 4:** Reference the included manufacturer monitor mount instructions for fastening your monitor to the bracket.