

Formulate Designer Series 10' Backwall - Kit 04

FMLT-DS-10-04

Formulate® Designer Series 10ft displays have unique stylistic features and shapes, are portable and easy to assemble. The aluminum tube frame features snap-buttons and/ or spigot connections and zipper pillowcase fabric graphics. All displays come in portable, wheeled transit cases. Simply pull the pillowcase fabric graphic(s) over the frame and zip.



features and benefits:

- Premium aluminum tube frames with spigot assembly
- Easy to store and ship
- Quick to set up
- Weighted feet for added stability
- Two zipper pillowcase fabric graphics
- Lifetime limited hardware warranty against manufacturer defects

dimensions:

Hardware

Graphic

Assembled unit:
120.1" w x 96" h x 41.6" d
3051mm(w) x 2438mm(h) x 1057mm(d)

Refer to related graphic template for more information.

Approximate weight with cases:
58 lbs / 26.3 kgs

Visit:
www.exhibitors-handbook.com/graphic-templates

Shipping

Packing case(s):
1 OCE Case

Shipping dimensions:
OCE: Expandable case length (l) may vary
40" - 66" l x 18" h x 18" d
1016mm-1677mm(l) x 458mm(h) x 458mm(d)

Approximate total shipping weight
(includes cases & graphics):
71 lbs / 32.2 kgs

additional information:

Graphic material:
dye-sublimation zipper pillowcase fabric

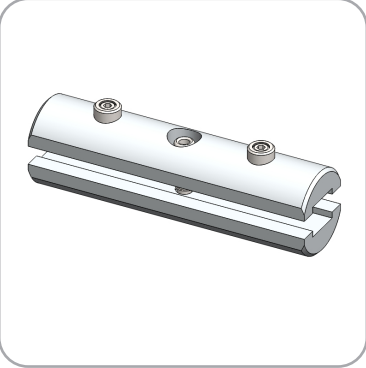
We are continually improving and modifying our product range and reserve the right to vary the specifications without prior notice. All dimensions and weights quoted are approximate and we accept no responsibility for variance. E&OE. See Graphic Templates for graphic bleed specifications.

Included In Your Kit

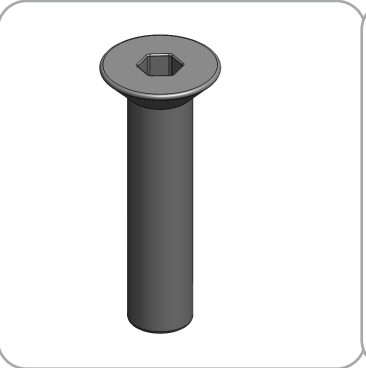
Tools, Components, & Connectors



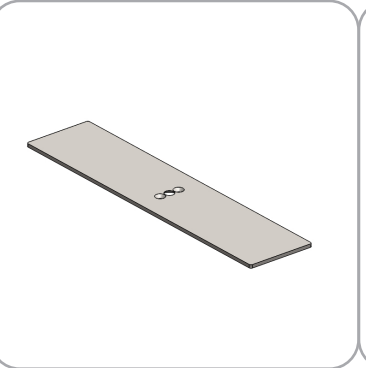
HEX KEY SET x1



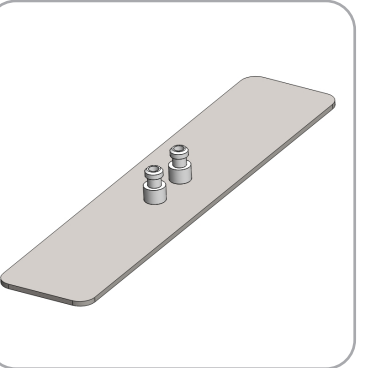
ES30 x17



LN114-SCRW x4



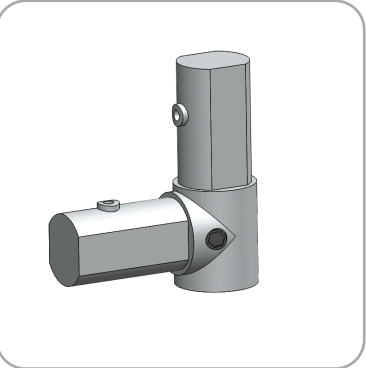
PLT-BP-LN114-S2-450 x2



PLT-BP-LN114-S3-450 x1

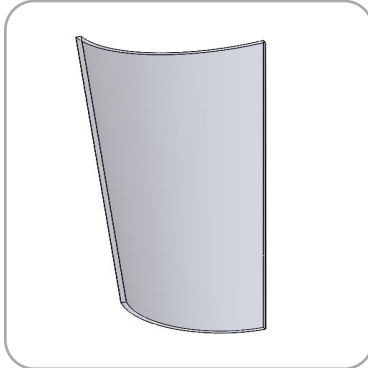


TCP-3030-R x1

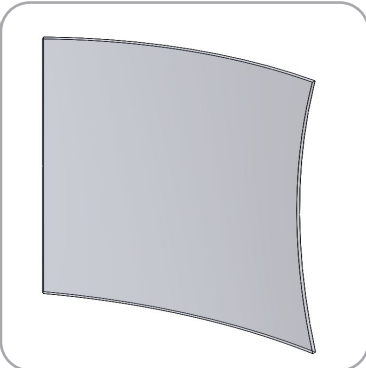


ES30-90B x2

Graphics



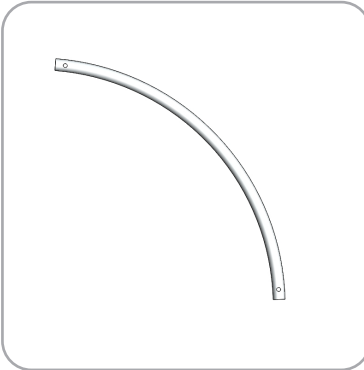
FMLT-DS-10-04-A-G x1



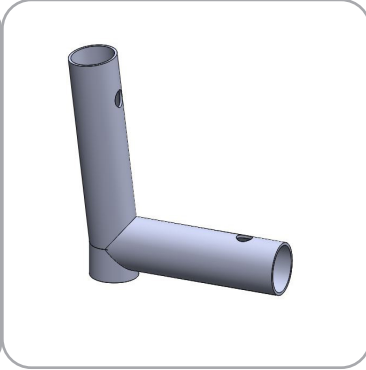
FMLT-DS-10-04-B-G x1

Included In Your Kit

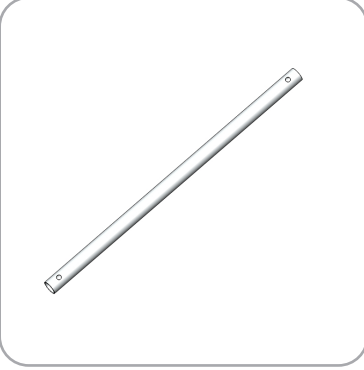
Tubes



DS-10-04-T1 x1



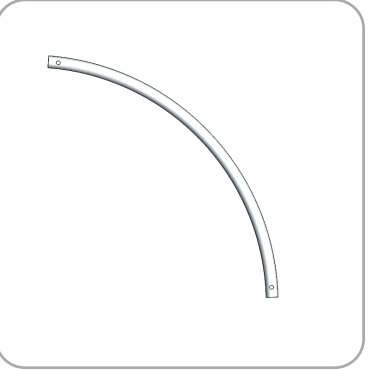
DS-10-04-T2 x1



DS-10-04-T3 x2



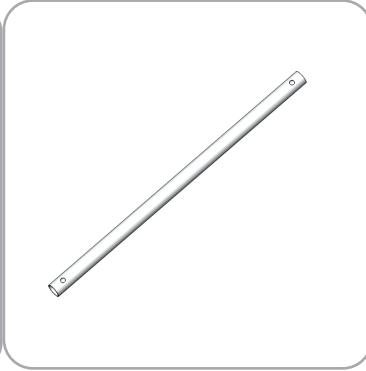
DS-10-04-T4 x1



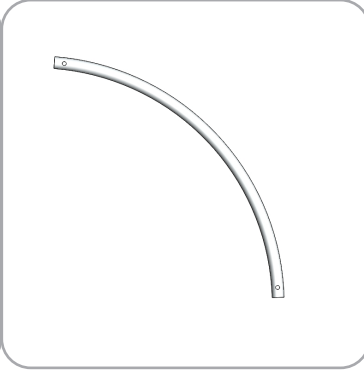
DS-10-04-T5 x1



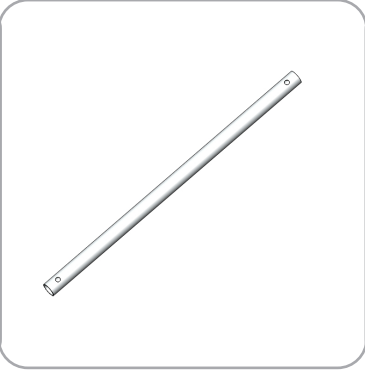
DS-10-04-T6 x1



DS-10-04-T7 x2



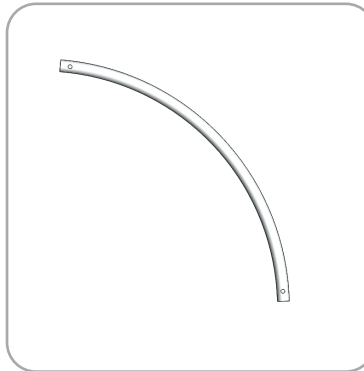
DS-10-04-T8 x2



DS-10-04-T9 x2



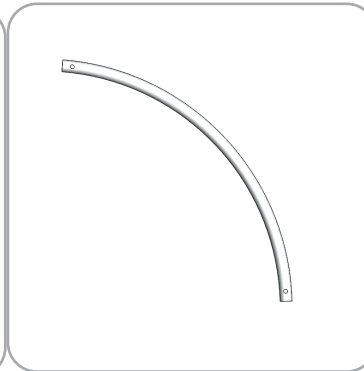
DS-10-04-T10 x1



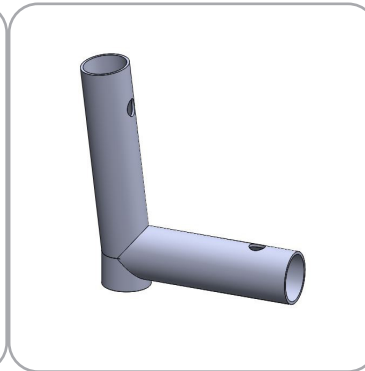
DS-10-04-T11 x1



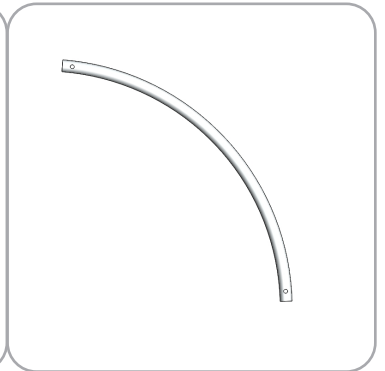
DS-10-04-T12 x1



DS-10-04-T13 x1



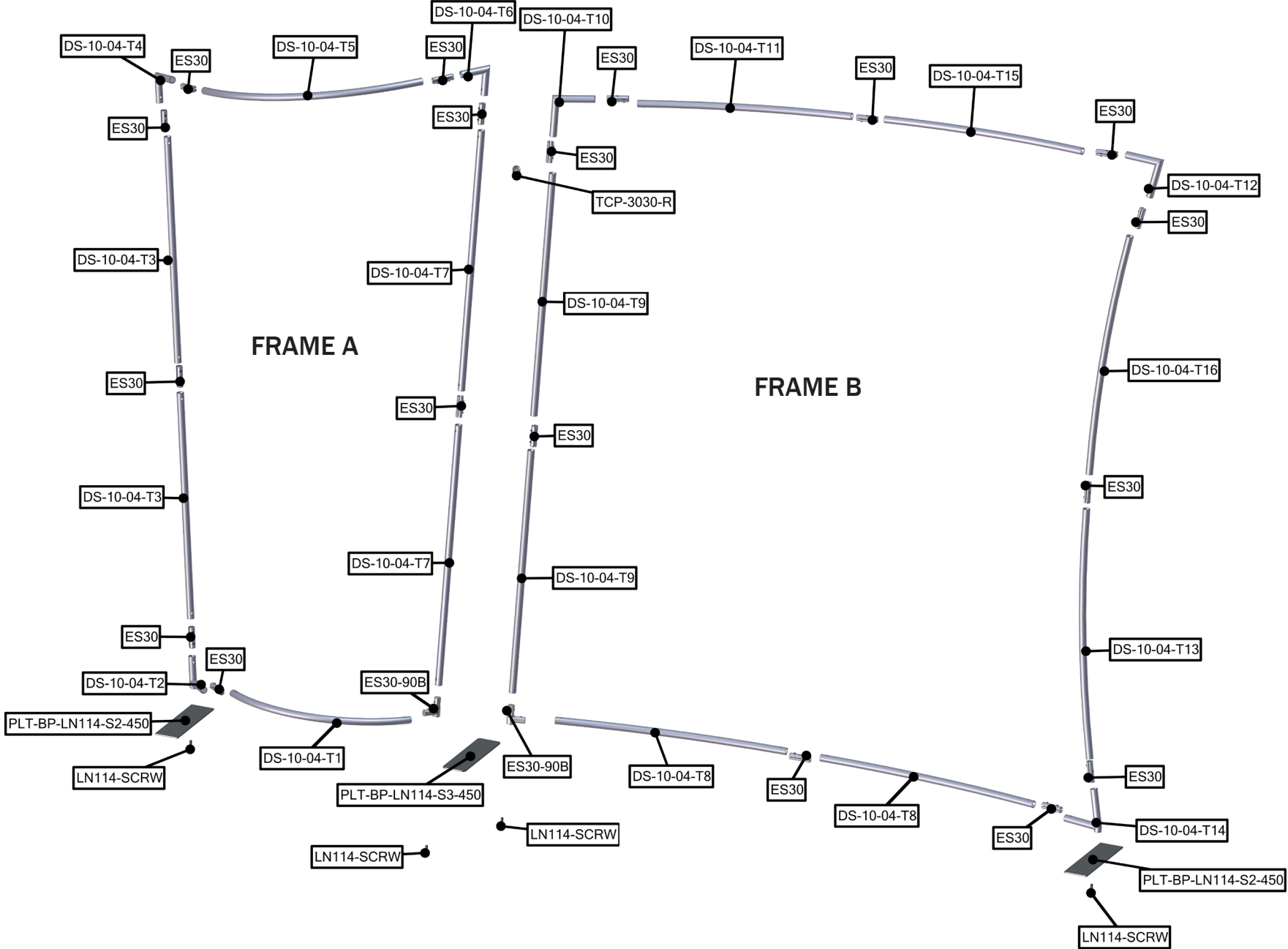
DS-10-04-T14 x1



DS-10-04-T15 x1
DS-10-04-T16 x1

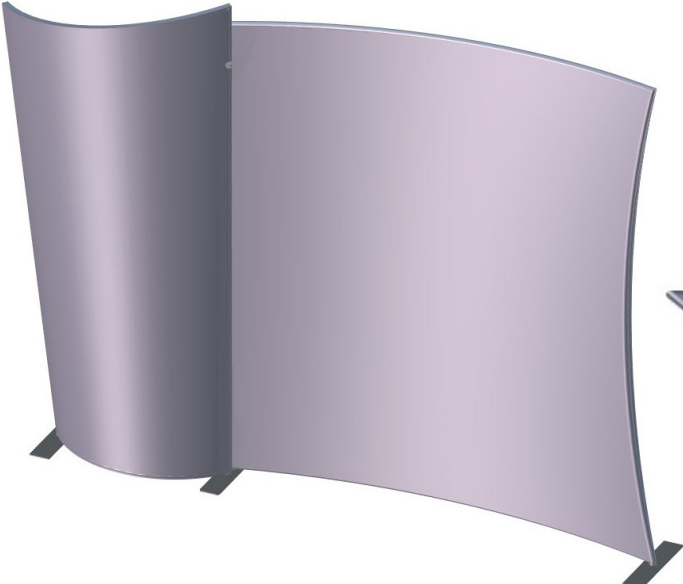
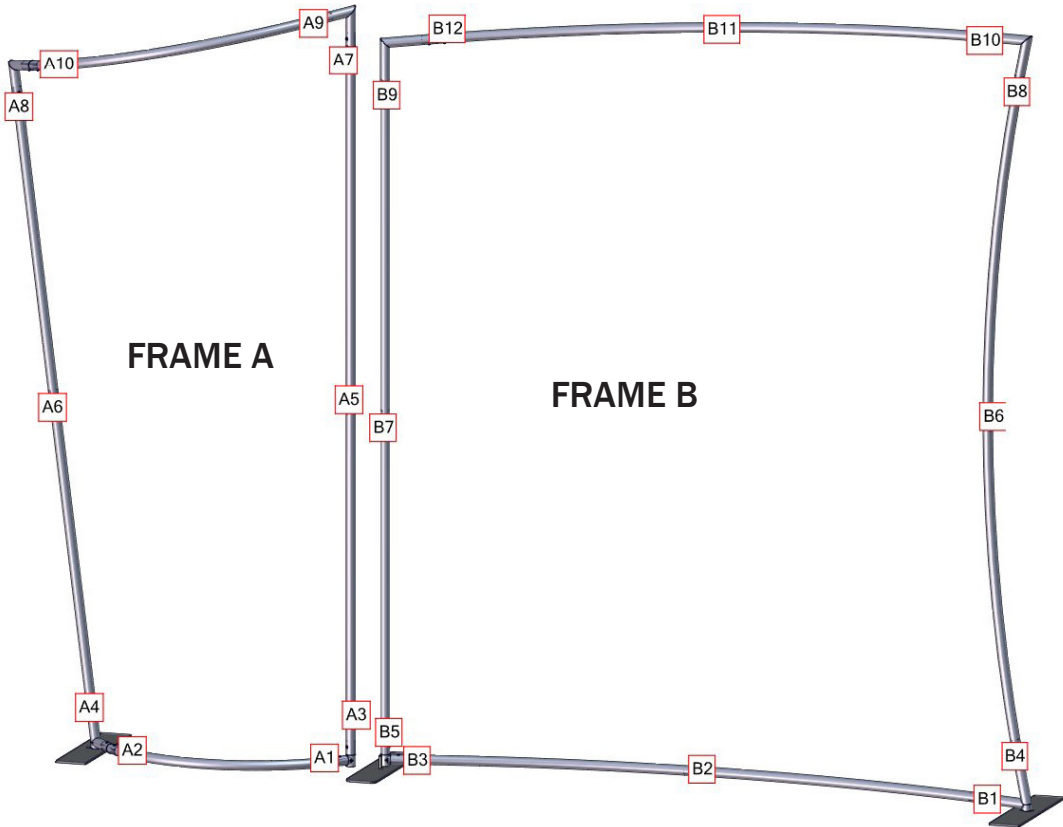
Exploded View

FMLT-DS-10-04



Labeling Diagram

FMLT-DS-10-04

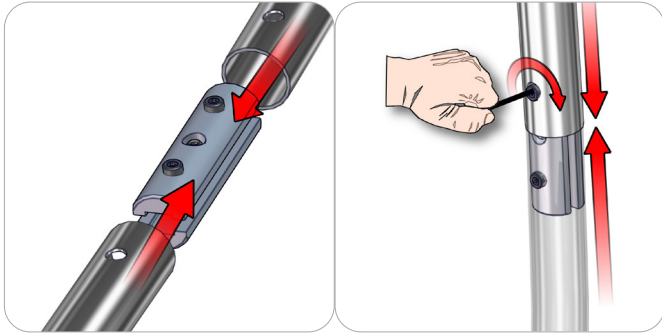


OVERHEAD VIEW

Connection Methods

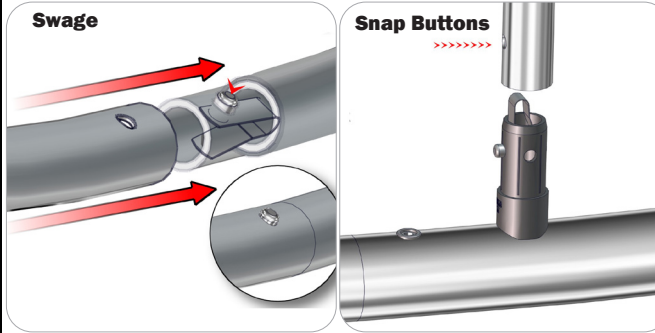
Formulate™ structures use a number of different yet simple connection methods. Your kit will include one or more of the connection methods shown below. Steps within the Kit Assembly will reference a specific method for each connection point.

Connection Method 1: ES30 / ES50 / ES75



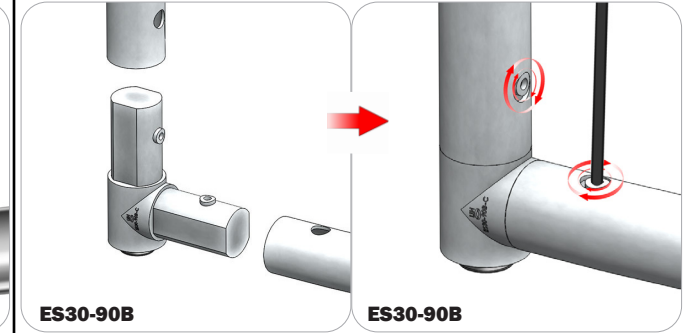
Compress the unlocked connector and slide one tube onto each end. Lock both screws carefully using your hex key tool. Be sure to lock securely, but do not overtighten.

Connection Method 2: Snap Buttons & Swage



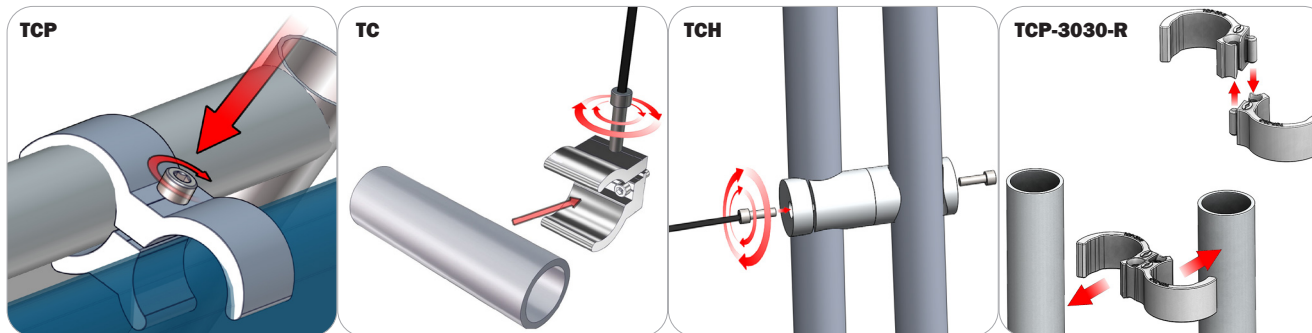
Locate the snap button on the connector or swage tube. Locate the hole on the corresponding tube. Press the snap button with your thumb and slide the tube and connector together so that the snap button snaps fully into the lock hole. To disassemble, press the snap button and pull apart.

Connection Method 3: ES30-90B / ES30-I / ES30-C



Compress one unlocked end of the connector and slide it through one tube end. Compress the other end of the connector and slide the second tube on. Lock both screws carefully using your hex key tool. Be sure to lock securely, but do not overtighten.

Connection Method 4: Tube Clamps



Be sure to fully assemble all frames before using clamps. With the clamp unlocked, place one tube of the first frame into the mouth of the clamp. Place the second tube (if applicable) into the second mouth of the clamp. With both frame's tubes in the clamp, be sure to lock securely, but do not overtighten.

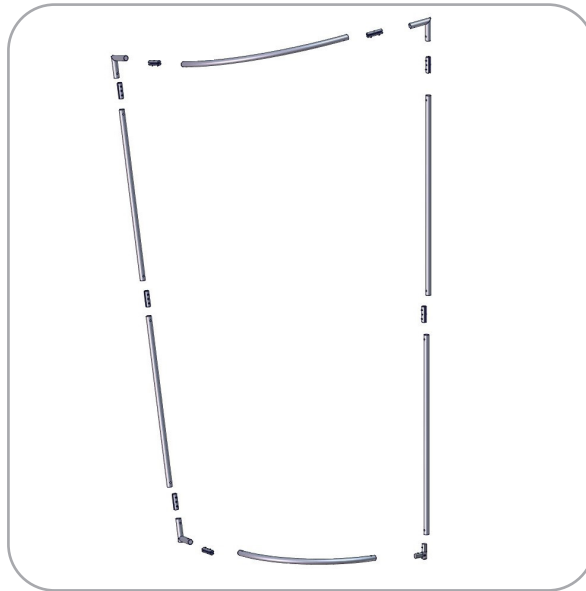
Kit Assembly

Step by Step

Step 1.

Locate the components necessary to assemble Frame A. Assemble in the order specified in the Labeling Diagram.

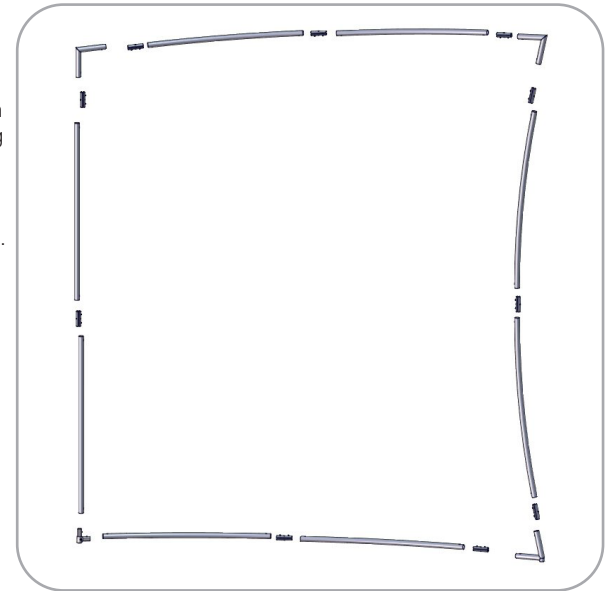
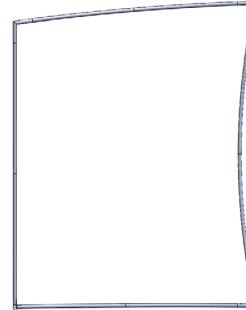
Please reference Connection Methods 1 and 3 for more details.



Step 2.

Locate the components necessary to assemble Frame B. Assemble in the order specified in the Labeling Diagram.

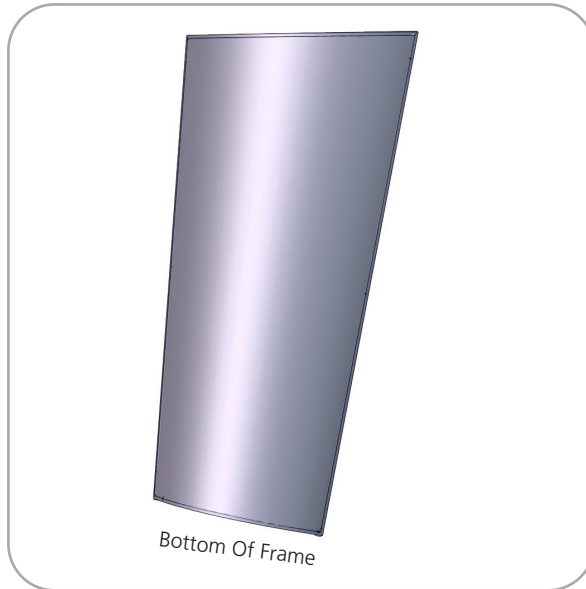
Please reference Connection Methods 1 and 3 for more details.



Step 3.

Locate the fabric cover for Frame A. For ease of application, lay the frame on the ground and pull the fabric cover over the top of the frame. Zip to enclose the frame.

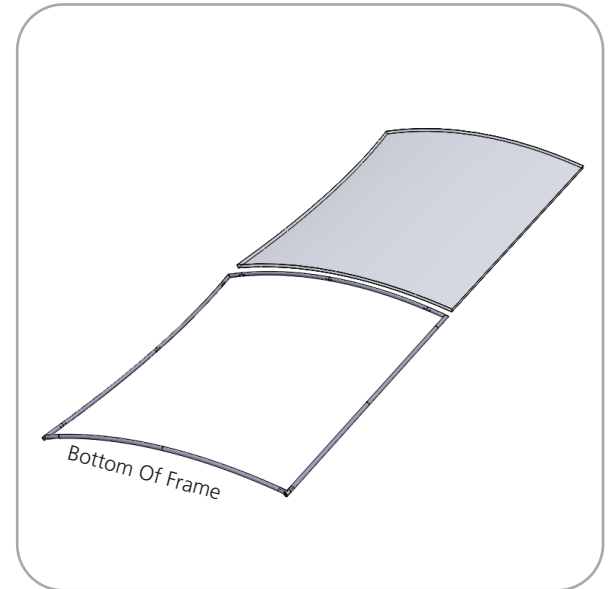
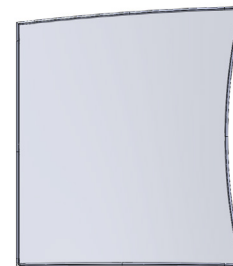
Zipper located to the side and bottom of Graphic A



Step 4.

Locate the fabric cover for Frame B. For ease of application, lay the frame on the ground and pull the fabric cover over the top of the frame. Zip to enclose the frame.

Zipper located to the left side and bottom of Graphic B

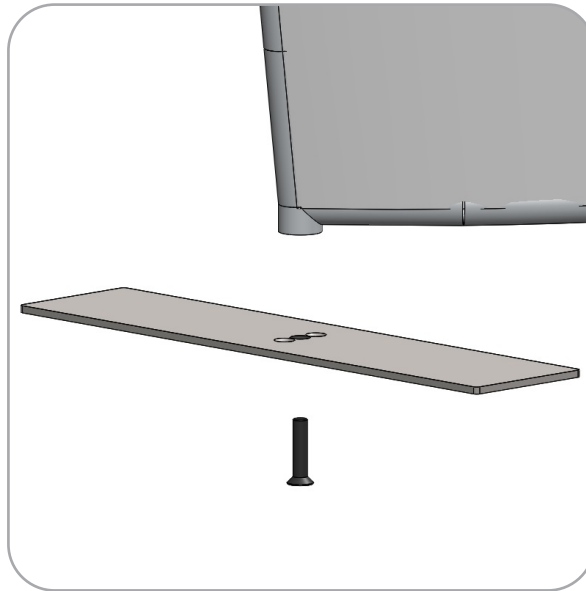
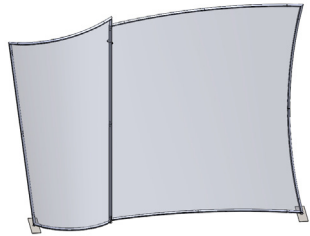


Kit Assembly

Step by Step

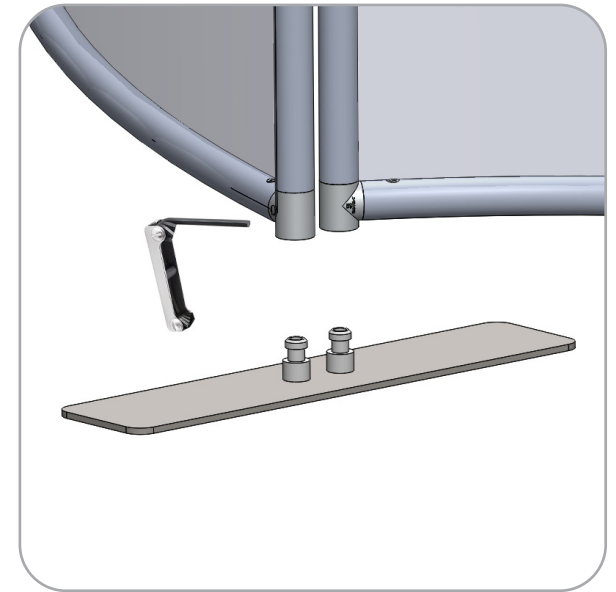
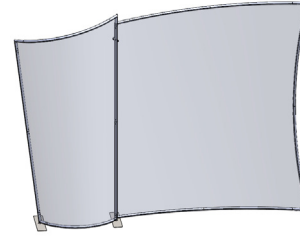
Step 5.

Locate both LN114-S2, and LN114 Screws. Attach the pieces in order as shown on the figure to the right. Screw the LN114 screw through the bottom of the base to lock in place.



Step 6.

Locate the LN114-S3. Push the hubs on the base into the ES30-90Bs on the frames. Lock the foot to the frames using the screw on the sides of the ES30-90Bs.



Step 7.

Use the TCP-3030-R connector to brace both frames together at the top insides of both frames.

Please reference Connection Method 4 for more details.

