

Formulate Backlit Straight 50mm - 8ft

FMLT-BL-WS8-01

The Formulate® 8ft Straight Backlit display is a captivating and eye-catching exhibit that combines an aluminum tube frame with an LED light curtain and a zipper pillowcase printed fabric graphic. The LED light curtain helps draw attention to the display and offers even and bright white light balance throughout. An expandable, sturdy display case is included to protect the frame and LED light curtain in transit to events and tradeshows.



features and benefits:

- State-of-the-art 50mm aluminum tube frame with spigot assembly
- LED light curtain easily attaches to the frame at the top and bottom
- Pillowcase fabric graphic is printed on backlit textile and includes an opaque backer
- Kit includes: one frame, one dye-sublimated zipper pillowcase graphic, and one wheeled OCE molded storage case
- Quick to set up
- Easy to store and ship
- Lifetime hardware warranty against manufacturer defects

dimensions:

Hardware

Graphic

Assembled unit:
89.94" w x 92" h x 26.57" d
2285mm(w) x 2337mm(h) x 675mm(d)

Refer to related graphic template for more information.

Approximate weight:
55 lbs / 25 kg

One year warranty.

Visit:
<https://www.theexhibitorshandbook.com/download-graphic-templates>

Shipping

additional information:

Packing case(s):
1 OCE

Graphic material:
Dye-sublimation zipper pillowcase fabric

Shipping dimensions:
OCE: Expandable case length (l) may vary
40" - 66" l x 18" h x 18" d
1016-1677mm(l) x 458mm(h) x 458mm(d)

When included in a larger kit, a different packaging solution will be listed to accommodate all contents of the kit. Individual packaging no longer provided.

Approximate total shipping weight:
80 lbs / 37 kg

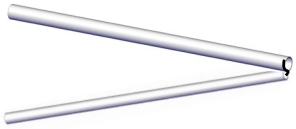


This product may include the following materials for recycle:
aluminum, select wood, fabric, cardboard, paper, steel, and plastics.

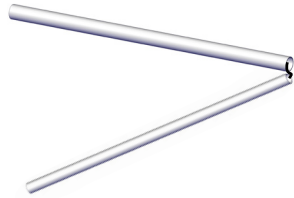
We are continually improving and modifying our product range and reserve the right to vary the specifications without prior notice. All dimensions and weights quoted are approximate and we accept no responsibility for variance. E&OE. See Graphic Templates for graphic bleed specifications.

Included In Your Kit

Tools, Components, & Connectors



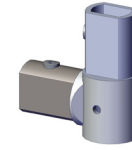
FMLT-BL-WS8-01-SIDE x2



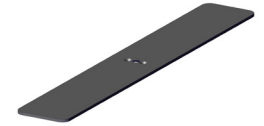
FMLT-BL-WS8-01-HORIZONTAL x2



ES50-2W x2



ES50-I-ES50-C-ASY x2



LN114-S2-650 x2

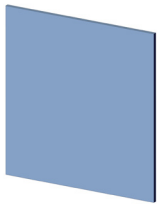


FMLT-BL-CURTAIN LIGHT x3



FMLT-BL-CURTAIN-TRANS-2 x1

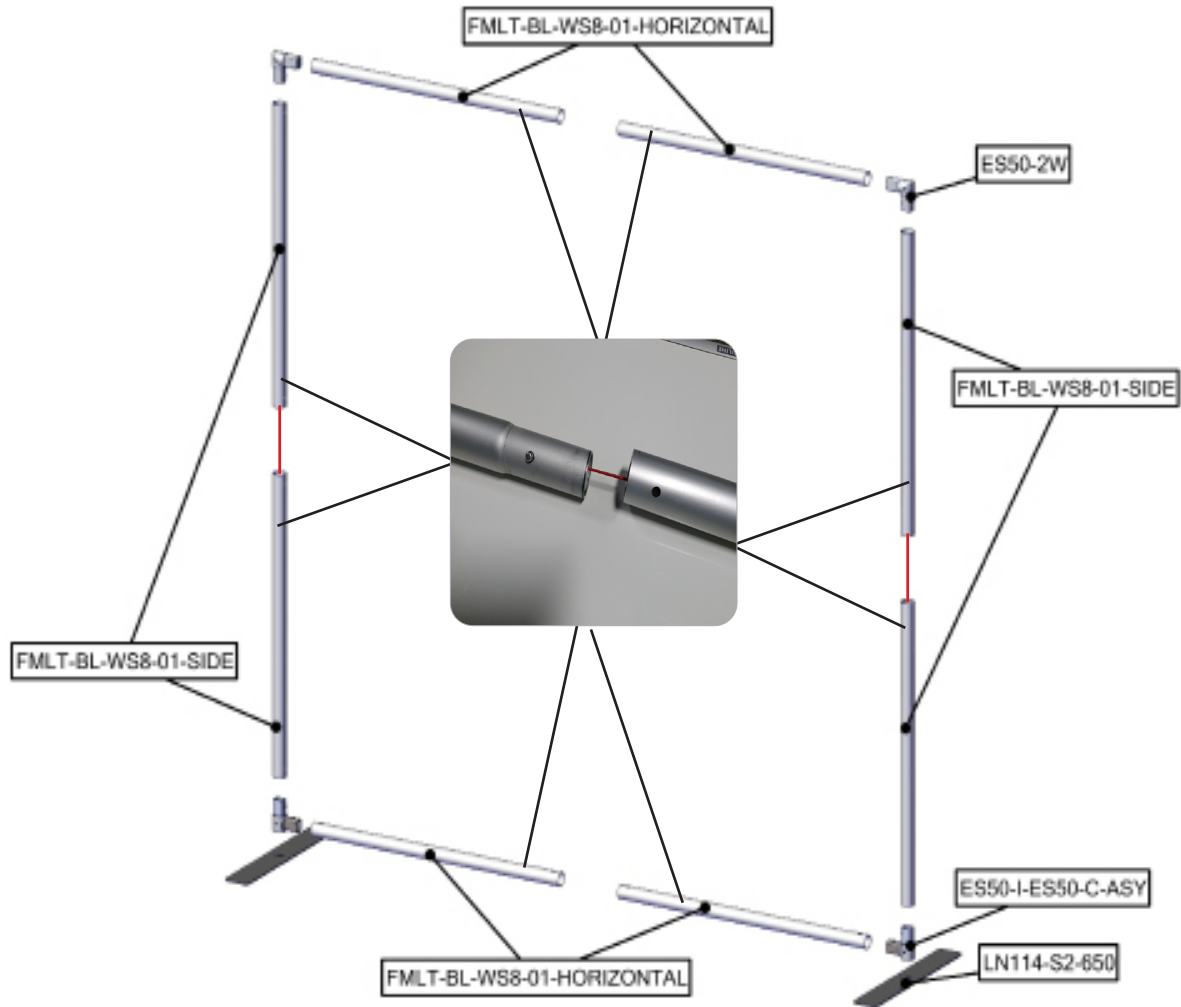
Graphics



FMLT-BL-WS8-01-G x1

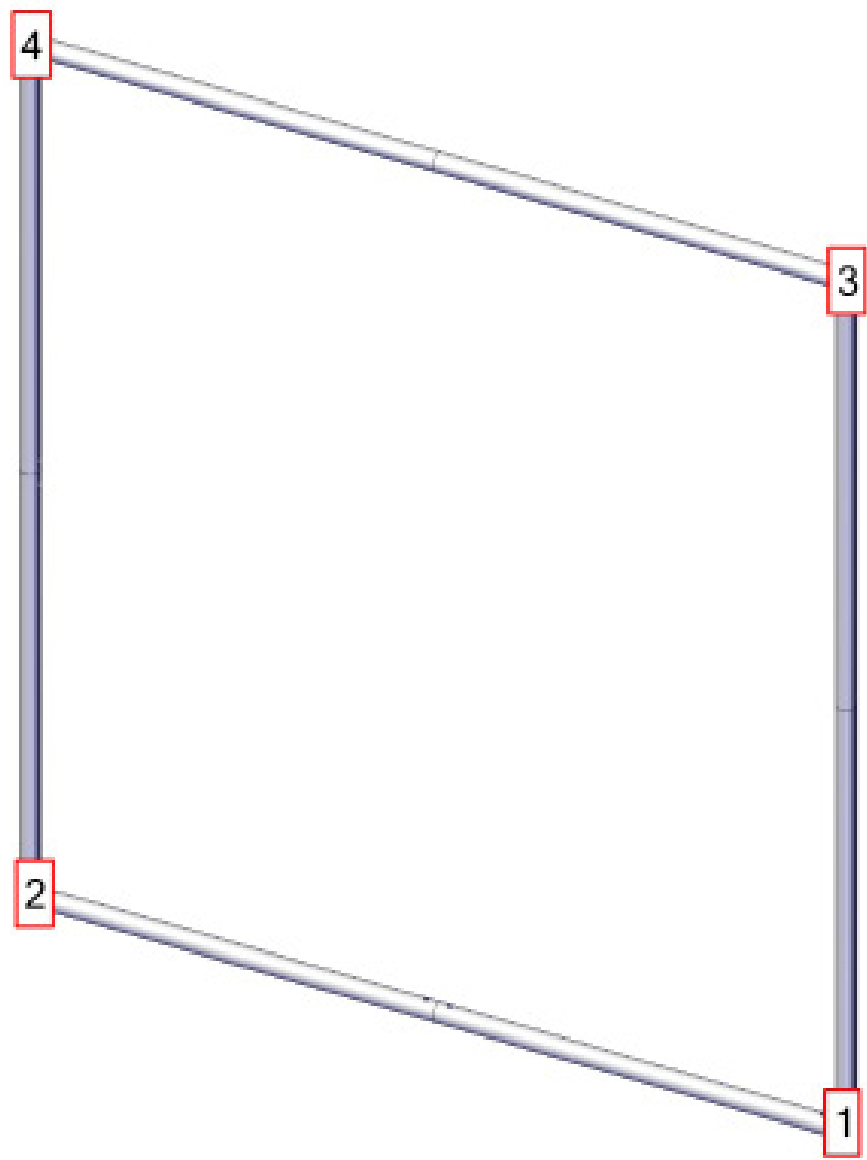
Exploded Diagram

FMLT-BL-WS8-01



Labeling Diagram

FMLT-BL-WS8-01



Kit Assembly

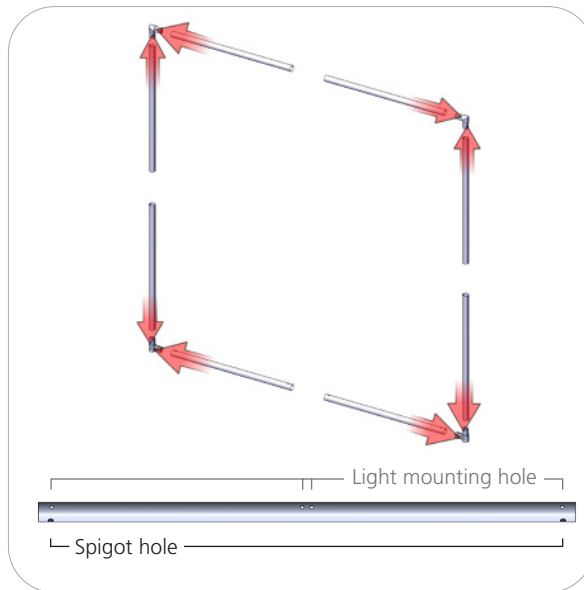
Step by Step

Step 1.

Gather the components to build the frame. Use the Exploded View and the Labeling Diagram for part labels.

Reference Connection Method 1 and 3 for more details.

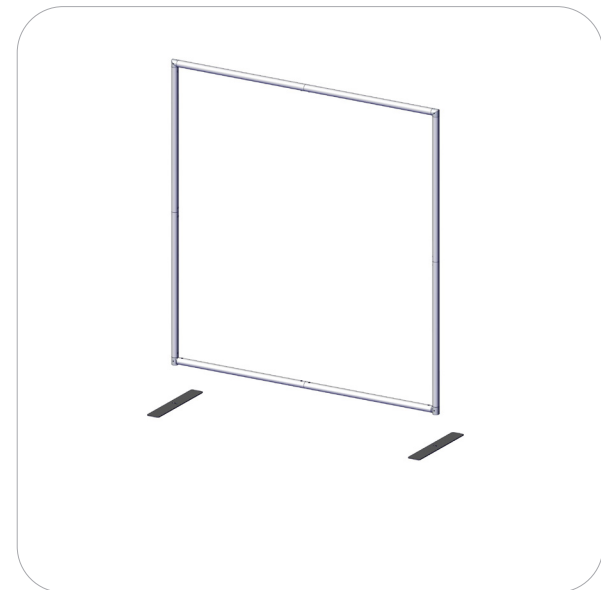
Do not lock the bottom tubes, and ensure the light mounting holes point upward.



Step 2.

Gather the components to attach the bases. Use the Exploded View and the Labeling Diagram for part labels.

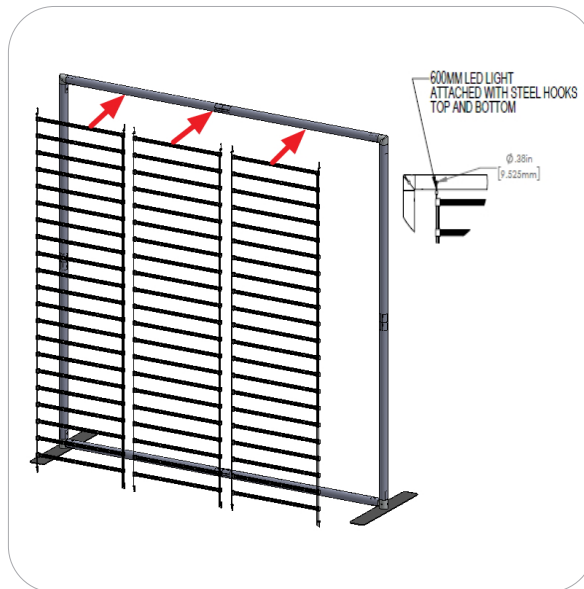
Reference Connection Method 2 for more details.



Step 3.

Hook the lights in the top tube mounting holes to hang, noting top vs. bottom labeling (the female plugs should be on bottom).

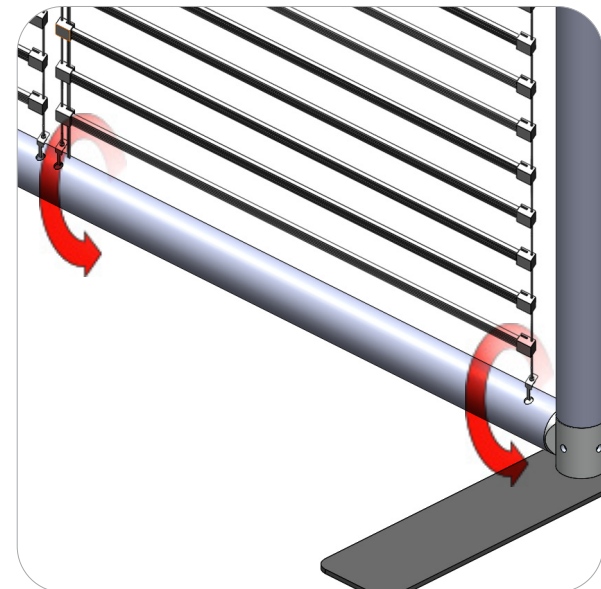
Use the Exploded View and the Labeling Diagram for part labels.



Step 4.

Hook the lights in the bottom tube light mounting holes and rotate the tube so the spigot holes face up and the lock engages through. Tighten in place.

Reference Connection Method 1 for more details.



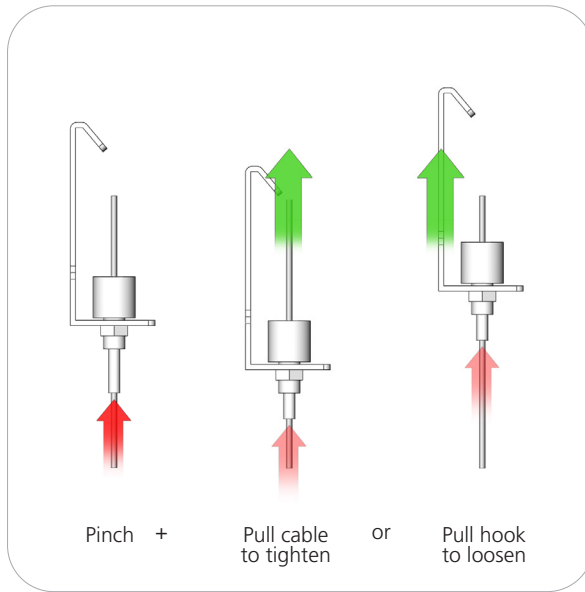
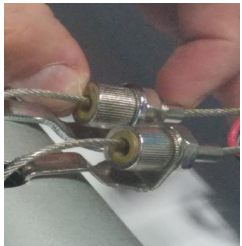
Kit Assembly

Step by Step

Step 4. (Optional)

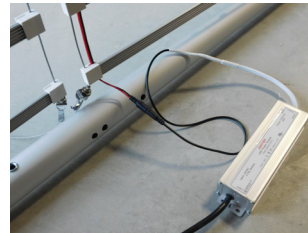
To correct slack in the curtain, adjust the light hooks by pinching and pulling the cable towards you to tighten or pulling the hook towards you to loosen.

Reference Connection Method 1 for more details.



Step 5.

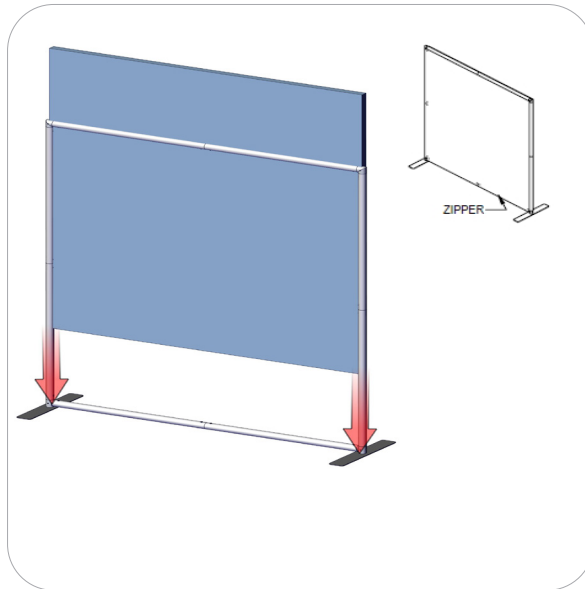
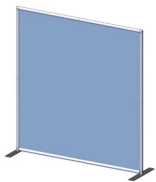
Connect all 3 wires from the 3 curtain lights, like in picture to the right. Last step, plug into outlet.



Step 6.

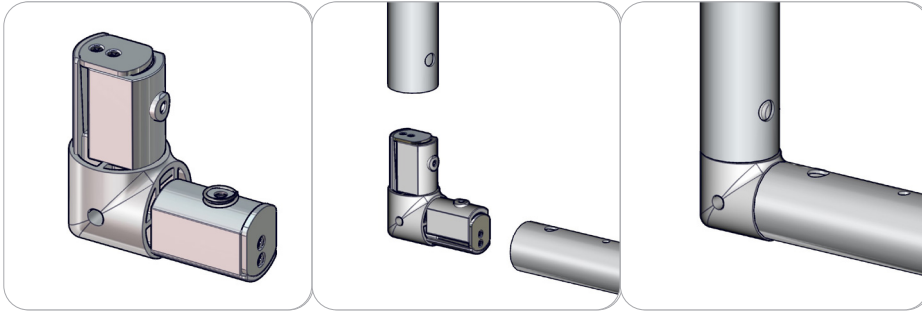
Slide graphic over top of frame. Once in place the graphic may be zipped at the bottom.

Setup is complete.



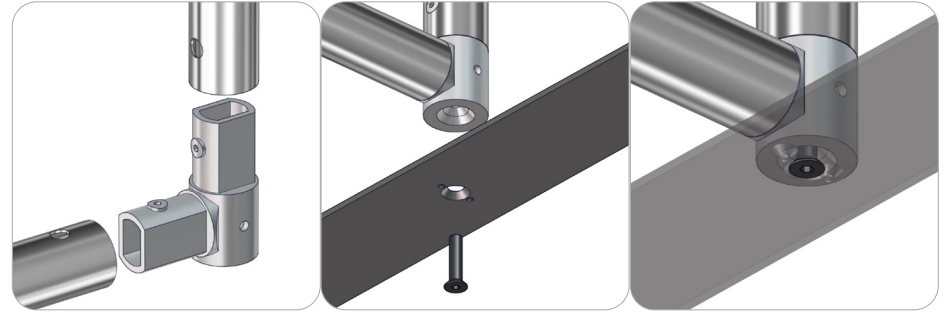
Connection Methods

Connection Method 1: ES50-2W



For spigot connections, compress the unlocked connector and slide into the tube lock access hole. Lock both screws carefully using your allen key tool. Be sure to lock securely, but do not over tighten. Do not force the connection and be careful with the tube edges, they may be sharp. To disassemble, unlocked connector press the snap button and pull apart.

Connection Method 2: ES50-I-ES50-C-ASY



First, check if the connector ends compress. If they do not compress, use the allen key tool for turning the internal screw counter clockwise. Second, compress the connector end and slide it into the tube. Align the connector end button with the tube hole until it pops out. Third, use the allen key tool for turning the internal screw clockwise for a secure fit. Be sure to lock securely, but do not over tighten. Attach a stabilizing base plate to the connector with a M10 counter sink screw.

Connection Method 3: SNAP BUTTONS



For snap button connections, locate the snap button on the connector or swage tube. Locate the hole on the corresponding tube. Press the snap button with your thumb and slide the tube and connector together so that the snap button snaps fully into the lock hole. To disassemble, press the snap button and pull apart.