

Hybrid Pro Counter 02

HPC-02

All Hybrid Pro™ Modular counters feature accessible storage and locking doors. Purchased printed fabric graphics or rigid infill panels allow for your messaging and branding.



features and benefits:

- White laminate cabinet
- Dye-sub push-fit fabric graphic either opaque or backlit
- Locking storage door in back
- Easy step-by-step instructions
- Kit includes laminated cabinet, custom side and top laminated accent panel, locking storage door, one vinyl graphic and one woodcrate case
- Lifetime hardware warranty against manufacturer defects

dimensions:

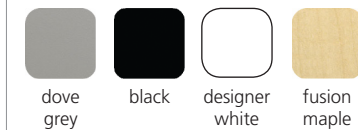
Hardware	Graphic
<p>Assembled unit: 70.88" w x 39.375" h x 23.63" d 1800mm(w) x 1000mm(h) x 600.2mm(d)</p> <p>Counter holds max weight 50 lbs / 22.68 kgs</p>	<p>Total visual area: 45.75" w x 26.0625" h</p> <p>Please be sure to include a 2" bleed around the perimeter.</p> <p>Refer to related graphic templates for more information</p>
<p>Shipping</p> <p>Shipping dimensions - ships in 1 case: 1 WOODCRATE case: 73" l x 48" h x 39" d 1854mm(l) x 1219mm(w) x 991mm(h)</p> <p>Approximate shipping weight (entire kit): 489 lbs / 222 kgs</p>	<p>Visit: www.exhibitors-handbook.com/graphic-templates</p>

additional information:

Graphic material:
dye-sub graphic either opaque or backlit

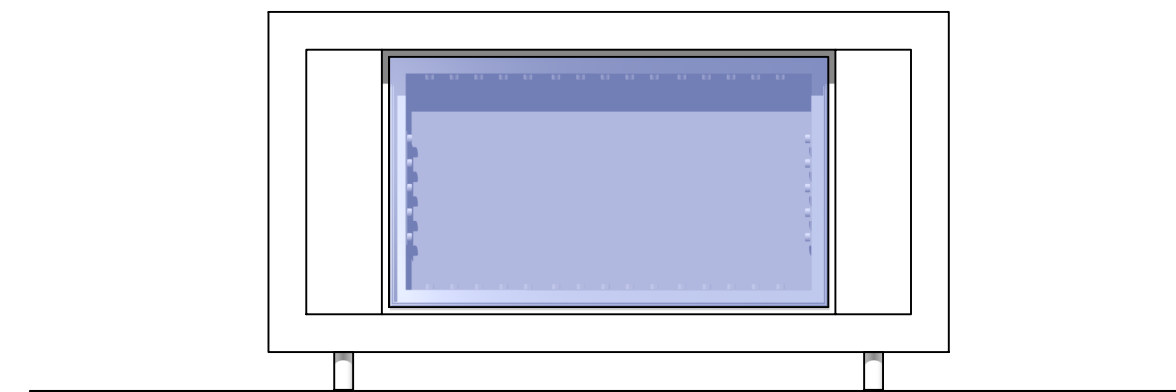
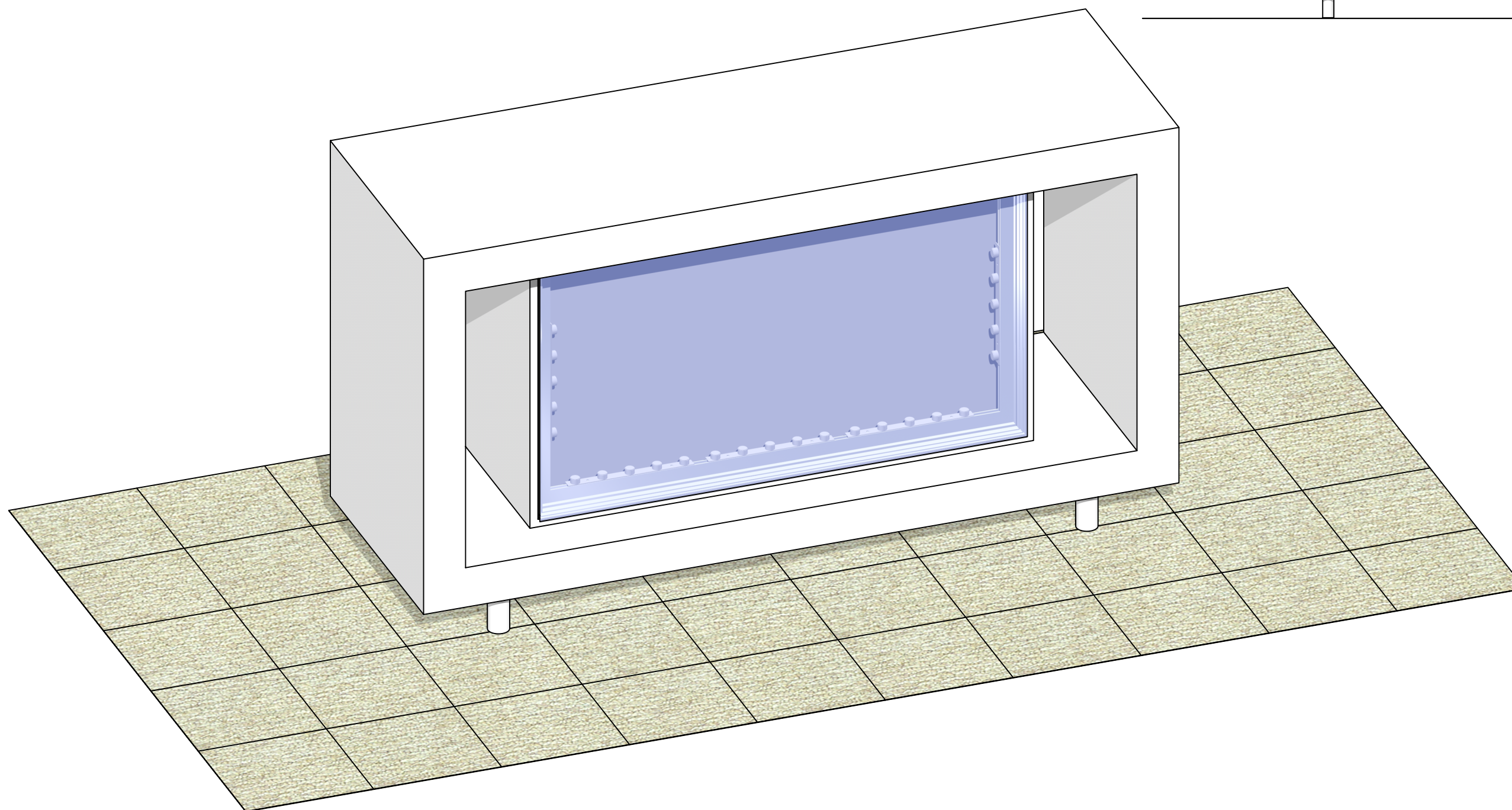
Aluminum offsets

Laminate counter color options:



We are continually improving and modifying our product range and reserve the right to vary the specifications without prior notice. All dimensions and weights quoted are approximate and we accept no responsibility for variance. E&OE. See Graphic Templates for graphic bleed specifications.

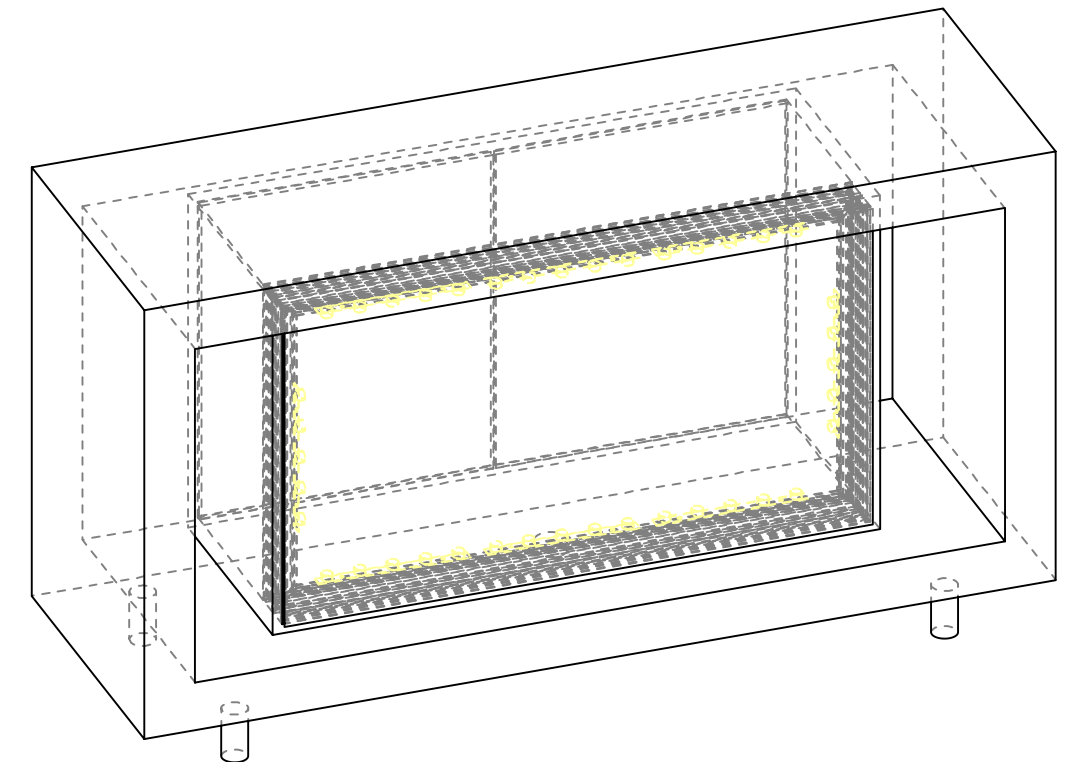
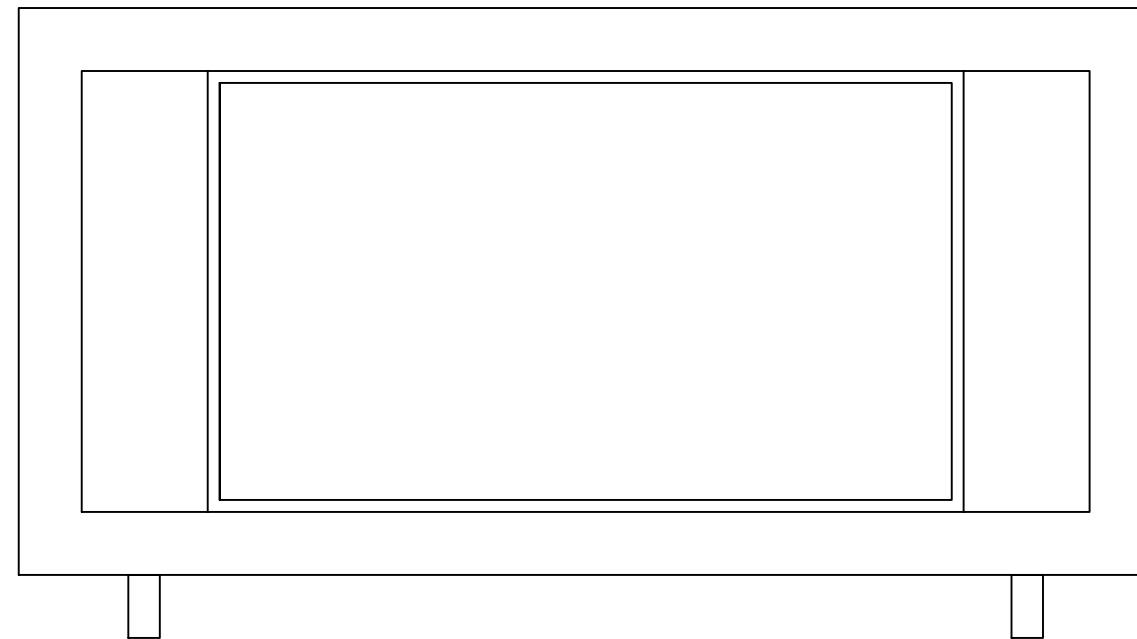
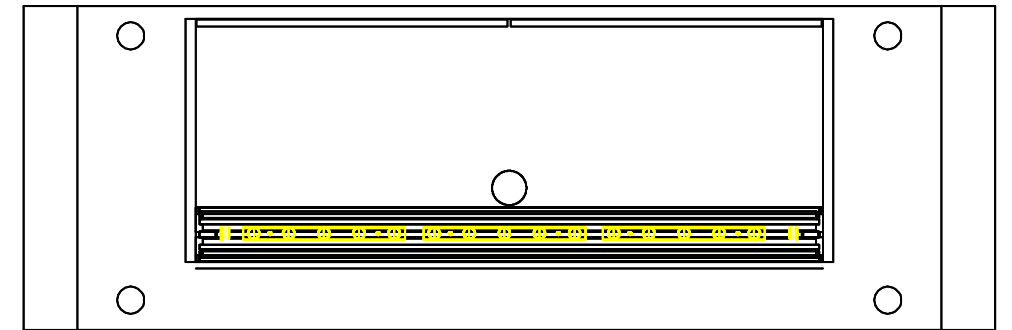
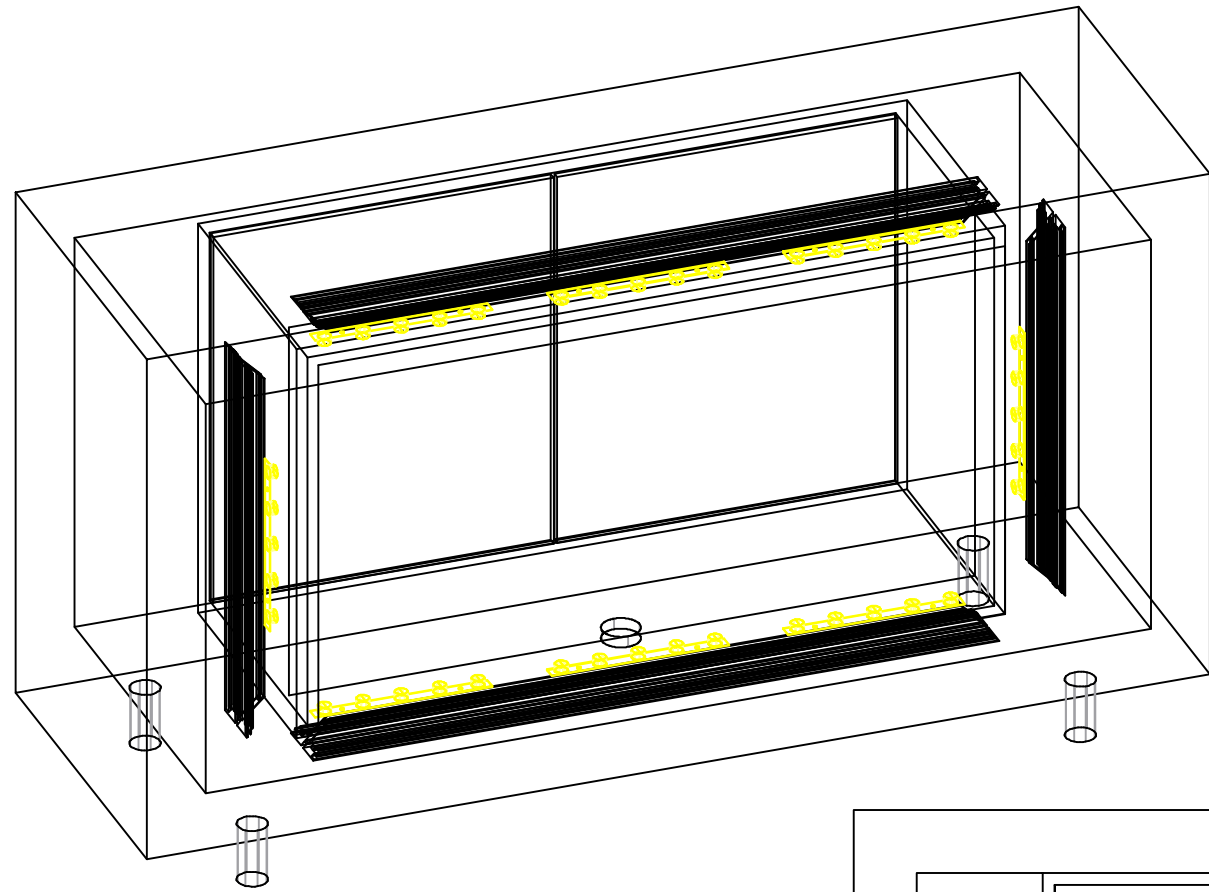
R-HPC-02-A



Code	#	Description
SO-3 BARREL	4	3" STAND OFF
R-HPC-02	1	6'X3'X2' CUSTOM COUNTER WITH INTERNAL 4" SMARTWALL ON FRONT AND DOUBLE DOOR BACK
R107	2	1162MM (45.75") PHFC4 EXTRUSION WITH MITRE CUT BOTH ENDS
R106	2	662MM (26.06") PHFC4 EXTRUSION WITH MITRE CUT BOTH ENDS WITH SIDE CAM LOCKS
LED-WHT-DB-300	8	300MM (11.81") LENGTH LED LIGHTS FOR DIRECTIONAL BACKLIGHT
GRAPHIC	1	26 1/16" (H) X 45 3/4" (W) BACKLIT DYESUB GRAPHIC W/ FCE-2 (SEG) ON PERIMETER
UNPRINTED	1	26 1/16" (H) X 45 3/4" (W) WHITE FABRIC W/ FCE-2 (SEG) ON PERIMETER

BOM

R-HPC-02

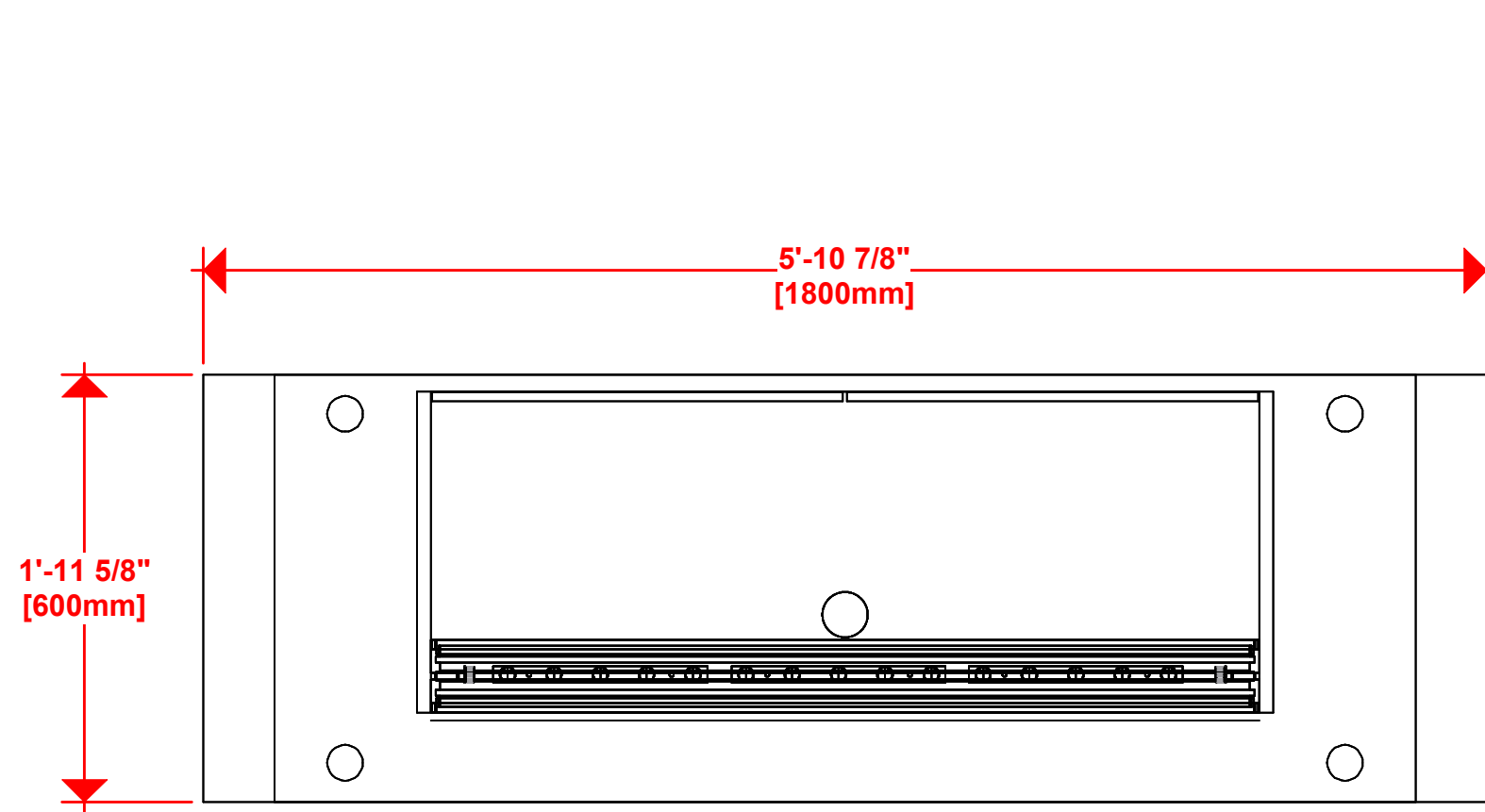


1. Redesign of this exhibit without approval by manufacturer may result in dangerous and unsafe structures. Manufacturer disclaims any responsibility for redesigned exhibits it does not approve in writing.

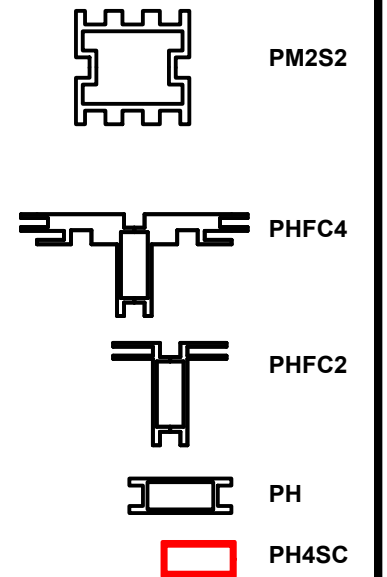
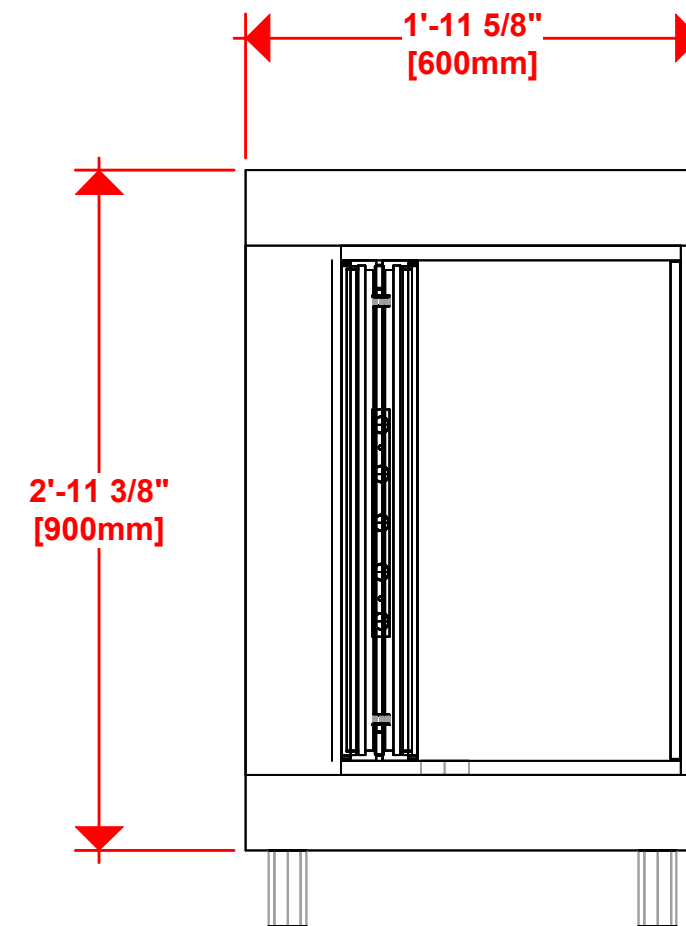
2. Parts and components such as panels and extrusions are manufactured to metric sizing. Where ever possible sizes have been noted in feet and inches as well as in metric. Below is the imperial to metric sizing table as reference. "Nominal" refers to approximate size.

2400mm = (94 1/2")	☎ Phone Line / Fax
2100mm = (82 5/8")	🌐 Internet connection
1800mm = (70 7/8")	🔌 Outlet
1500mm = (59")	⚡ Main Drop (point of distrution)
1200mm = (47 1/4")	
900mm = (35 1/2")	
600mm = (23 5/8")	
300mm = (11 7/8")	

--- Wire running under carpet



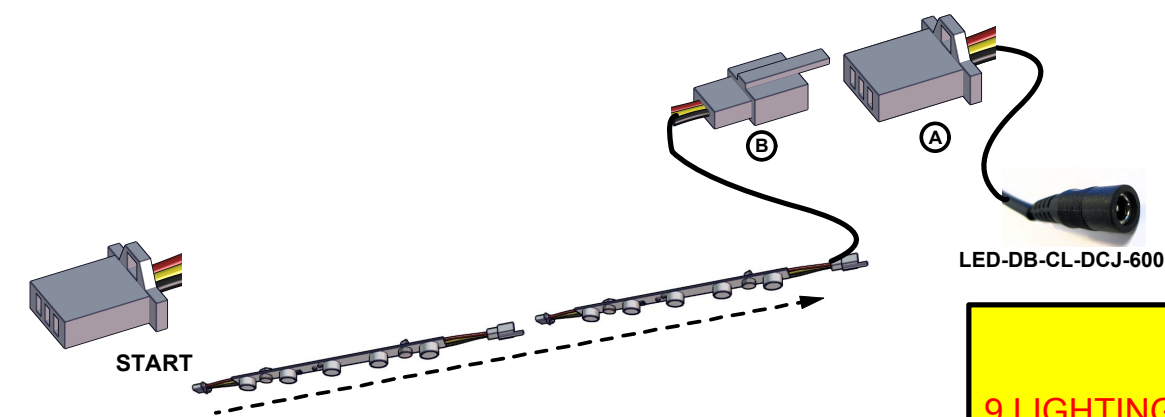
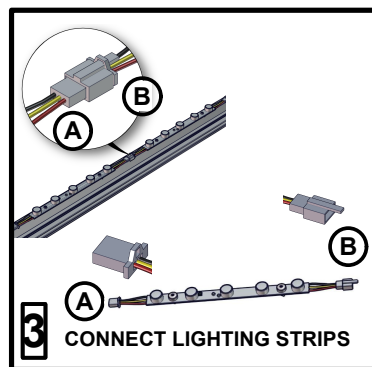
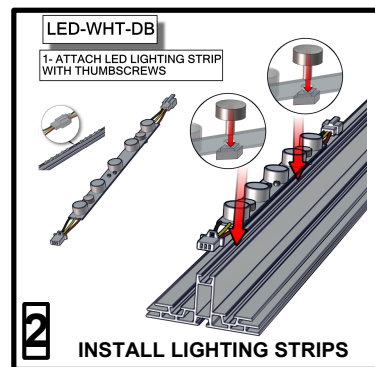
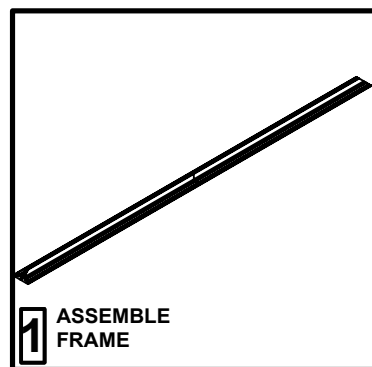
(8) LED LIGHTS = 50W PER STICK



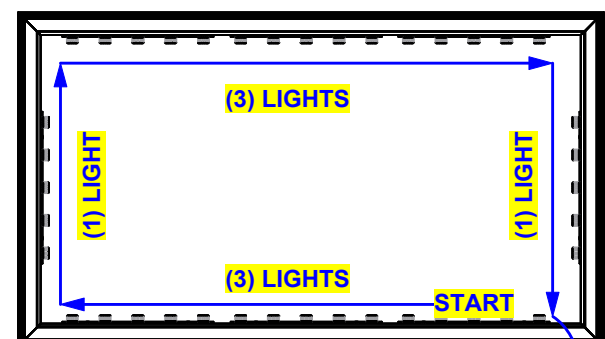
HYBRID PRO RENTAL KIT

Title: SET-UP INSTRUCTIONS

LED-WHT-DB-300 LIGHTS



IMPORTANT!
9 LIGHTING STRIPS MAXIMUM
PER POWER SUPPLY



1. Redesign of this exhibit without approval by manufacturer may result in dangerous and unsafe structures. Manufacturer disclaims any responsibility for redesigned exhibits it does not approve in writing.

2. Parts and components such as panels and extrusions are manufactured to metric sizing. Where ever possible sizes have been noted in feet and inches as well as in metric. Below is the imperial to metric sizing table as reference. "Nominal" refers to approximate size.

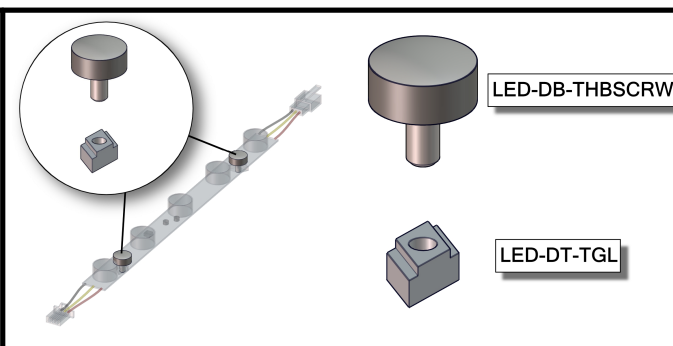
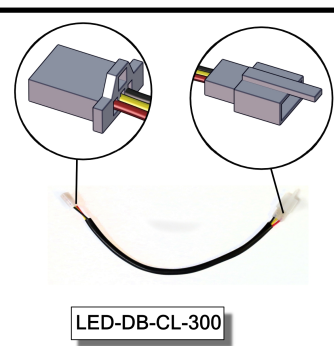
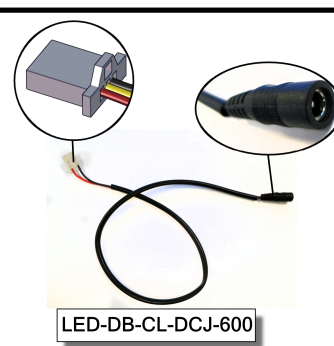
- 2400mm = (94 1/2")
 - 2100mm = (82 5/8")
 - 1800mm = (70 7/8")
 - 1500mm = (59")
 - 1200mm = (47 1/4")
 - 900mm = (35 1/2")
 - 600mm = (23 5/8")
 - 300mm = (11 7/8")
- Phone Line / Fax
 - Internet connection
 - Outlet
 - Main Drop (point of distrution)
- Wire running under carpet

- PM2S2
- PHFC4
- PHFC2
- PH
- PH4SC

END LINE CONNECTORS & POWER SUPPLY

EXTENSION CORDS

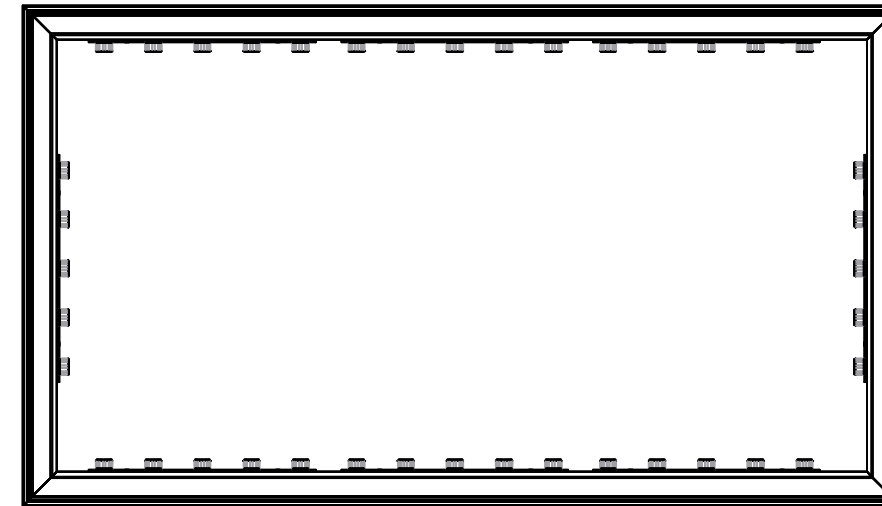
HARDWARE



HYBRID PRO RENTAL KIT

Title: SET-UP INSTRUCTIONS

Code	#	Description
R107	2	1162MM (45.75") PHFC4 EXTRUSION WITH MITRE CUT BOTH ENDS
R106	2	662MM (26.06") PHFC4 EXTRUSION WITH MITRE CUT BOTH ENDS WITH SIDE CAM LOCKS
LED-WHT-DB-300	8	300MM (11.81") LENGTH LED LIGHTS FOR DIRECTIONAL BACKLIGHT
GRAPHIC	1	26 1/16" (H) X 45 3/4" (W) BACKLIT DYESUB GRAPHIC W/ FCE-2 (SEG) ON PERIMETER
UNPRINTED	1	26 1/16" (H) X 45 3/4" (W) WHITE FABRIC W/ FCE-2 (SEG) ON PERIMETER

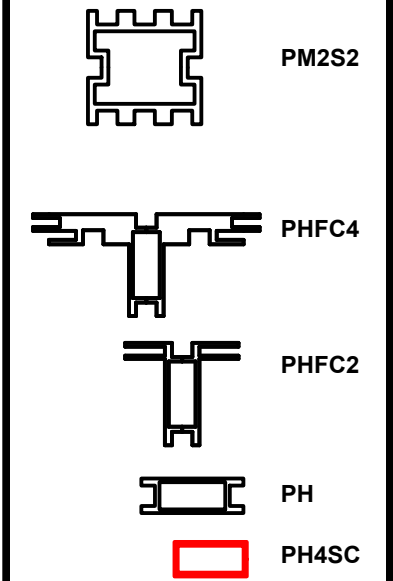
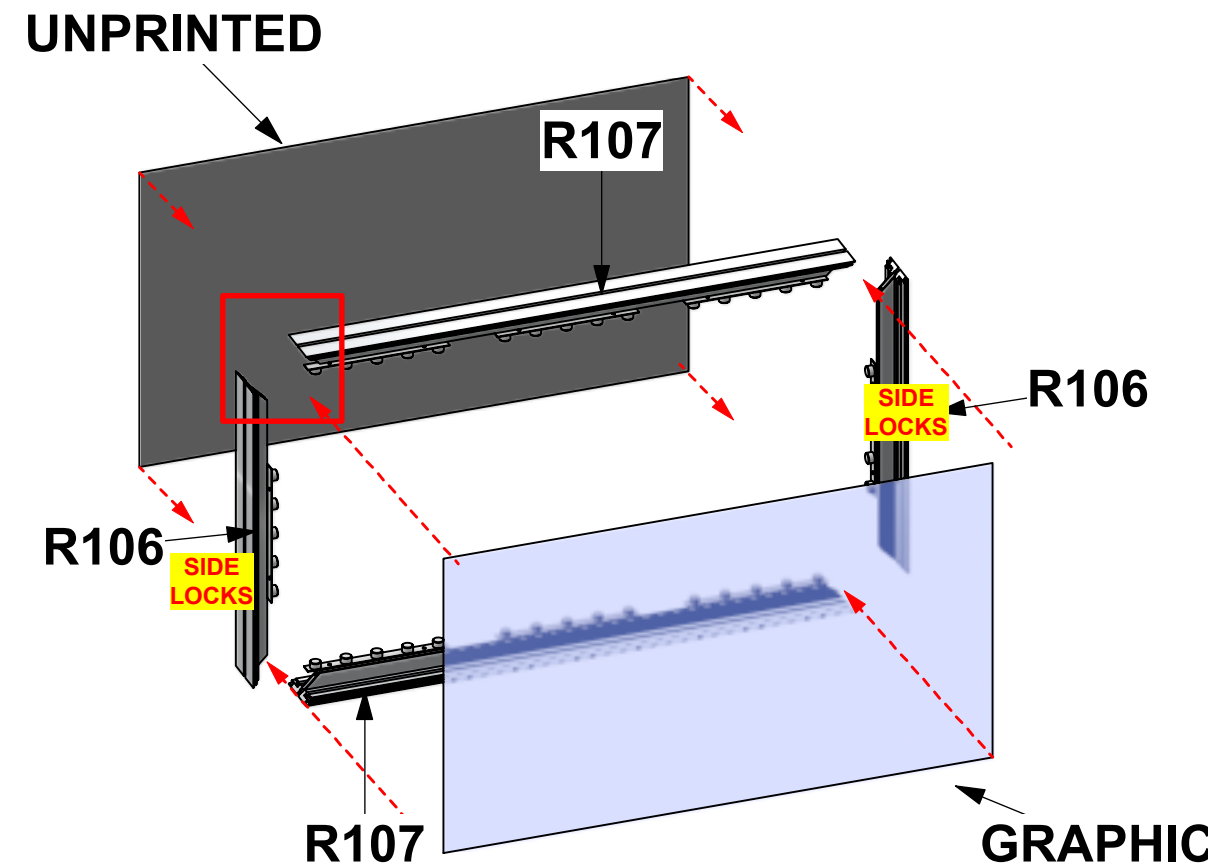
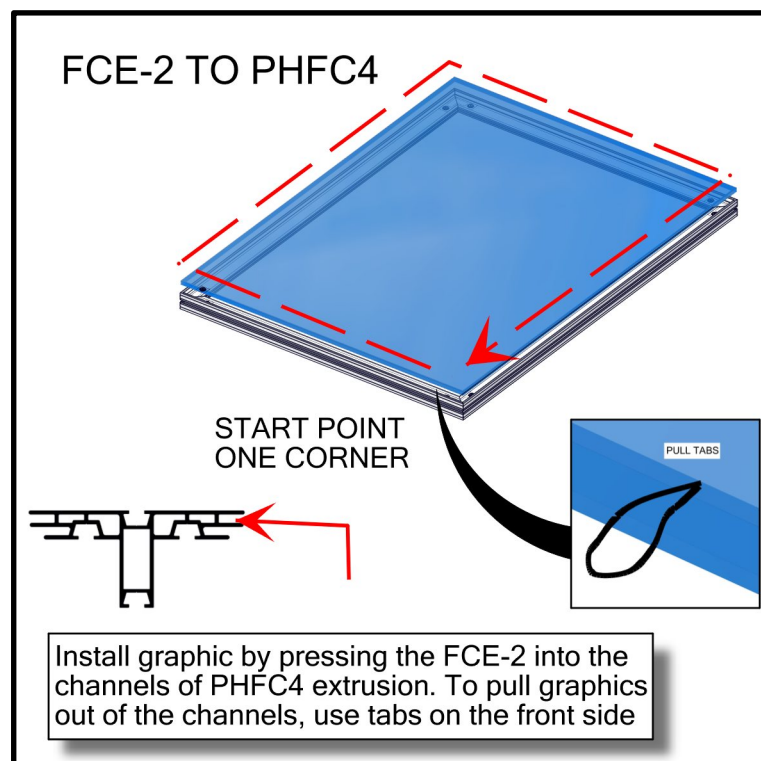
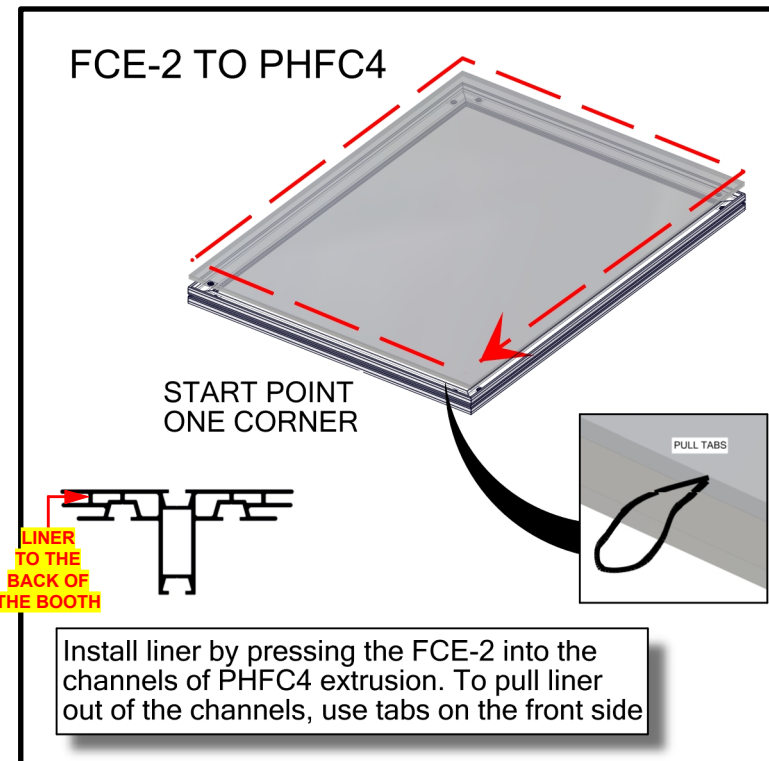
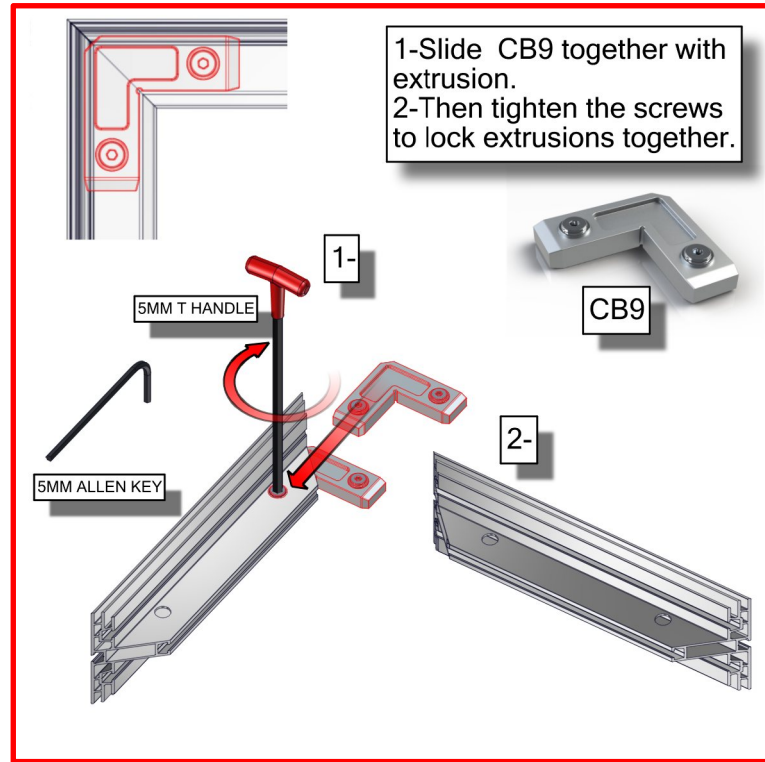


1. Redesign of this exhibit without approval by manufacturer may result in dangerous and unsafe structures. Manufacturer disclaims any responsibility for redesigned exhibits it does not approve in writing.

2. Parts and components such as panels and extrusions are manufactured to metric sizing. Where ever possible sizes have been noted in feet and inches as well as in metric. Below is the imperial to metric sizing table as reference. "Nominal" refers to approximate size.

2400mm = (94 1/2")	Phone Line / Fax
2100mm = (82 5/8")	Internet connection
1800mm = (70 7/8")	Outlet
1500mm = (59")	Main Drop (point of distrution)
1200mm = (47 1/4")	
900mm = (35 1/2")	
600mm = (23 5/8")	
300mm = (11 7/8")	

--- Wire running under carpet



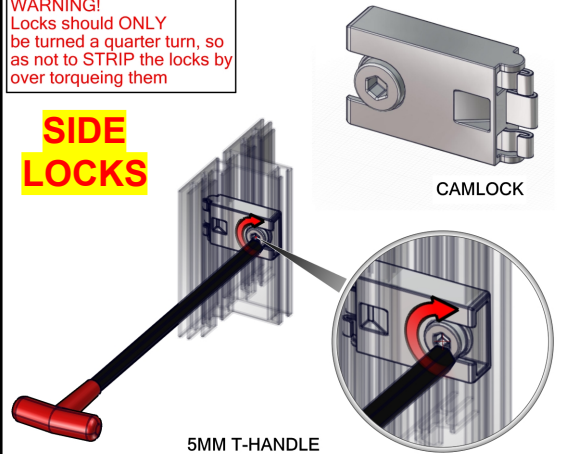
HYBRID PRO RENTAL KIT

Title: SET-UP INSTRUCTIONS

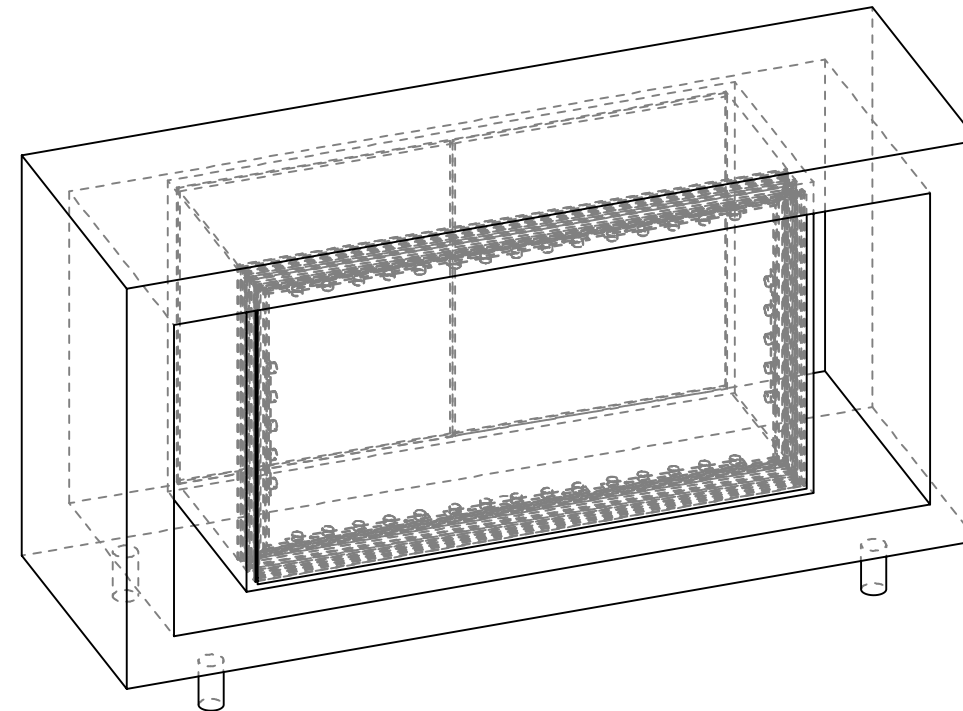
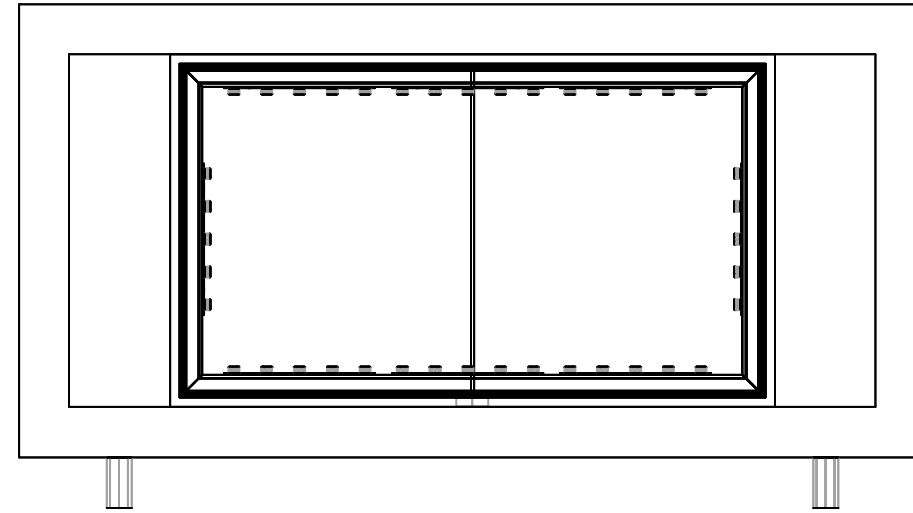
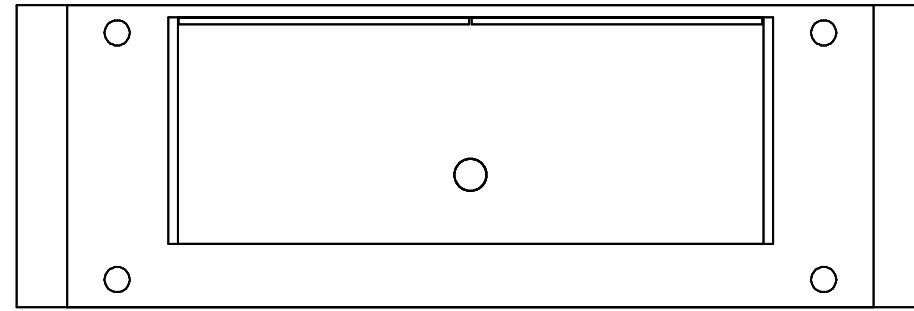
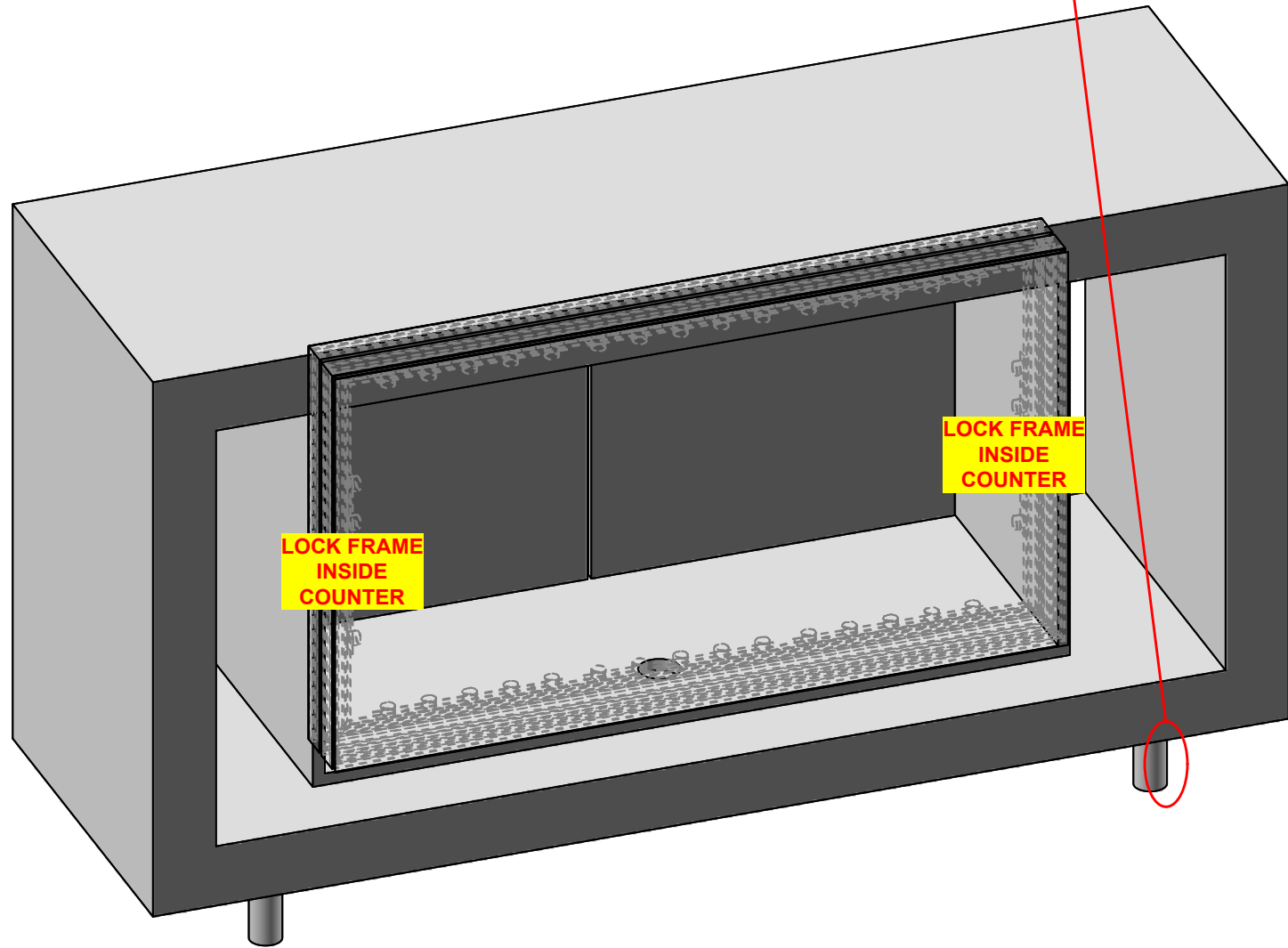
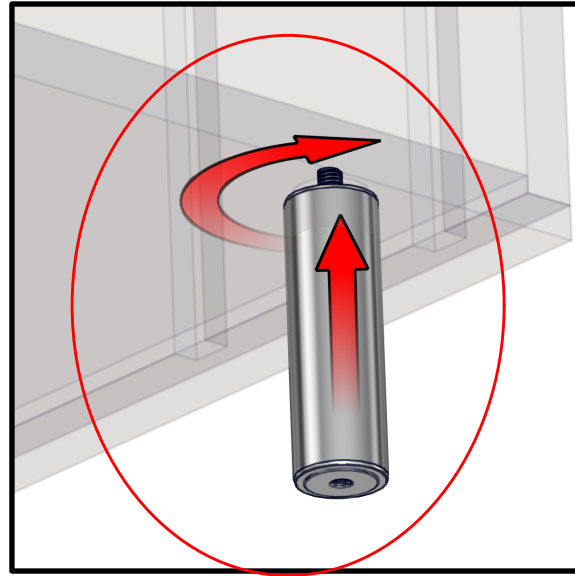
Code	#	Description
SO-3 BARREL	4	3" STAND OFF
R-HPC-02	1	6'X3'X2' CUSTOM COUNTER WITH INTERNAL 4" SMARTWALL ON FRONT AND D

WARNING!
Locks should ONLY be turned a quarter turn, so as not to STRIP the locks by over torquing them

SIDE LOCKS



LOCK EXTRUSION BY USING 5MM HEX KEY

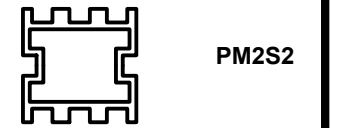


1. Redesign of this exhibit without approval by manufacturer may result in dangerous and unsafe structures. Manufacturer disclaims any responsibility for redesigned exhibits it does not approve in writing.

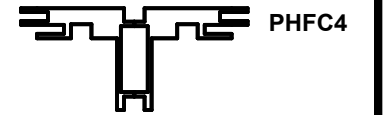
2. Parts and components such as panels and extrusions are manufactured to metric sizing. Where ever possible sizes have been noted in feet and inches as well as in metric. Below is the imperial to metric sizing table as reference. "Nominal" refers to approximate size.

2400mm = (94 1/2")	Phone Line / Fax
2100mm = (82 5/8")	Internet connection
1800mm = (70 7/8")	Outlet
1500mm = (59")	Main Drop (point of distrution)
1200mm = (47 1/4")	
900mm = (35 1/2")	
600mm = (23 5/8")	
300mm = (11 7/8")	

--- Wire running under carpet



PM2S2



PHFC4



PHFC2



PH

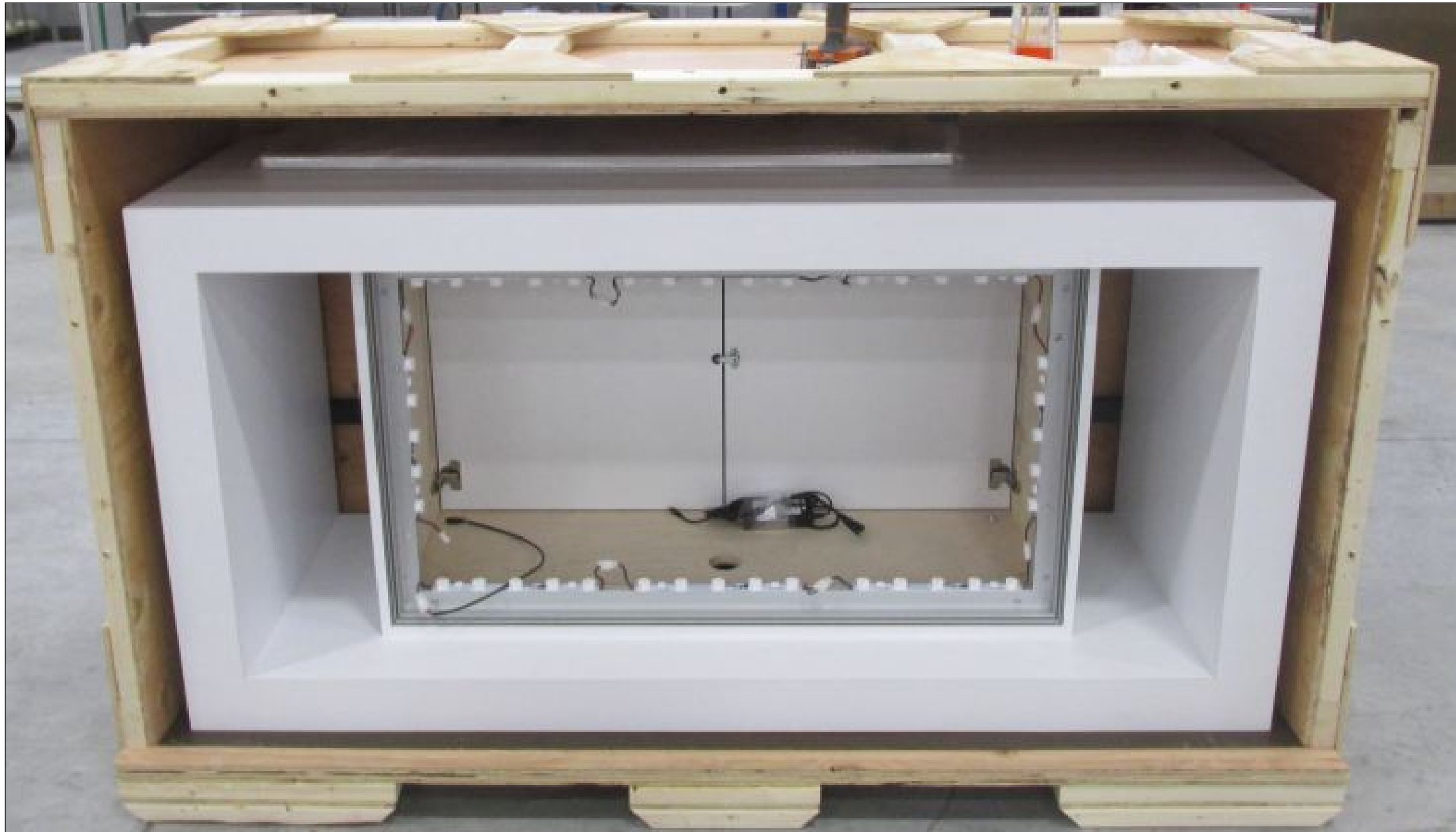


PH4SC

HYBRID PRO RENTAL KIT





Title: SET-UP INSTRUCTIONS

PACKING INSTRUCTIONS



1 R-HPC-02

CASE # 1

LEGEND	
	GREY FOAM FOLDED TO FILL EMPTY SPACES OR USED AS PROTECTION
	1/8" CARDBOARD SPACER (PUT IN BETWEEN EVERY PANEL)
	DIVIDER
	1/4" WHITE FOAM (USED AS PROTECTION DOOR PANELS W/ LOCKS)

