

# Hybrid Pro Modular Kit 17

## HP-K-17

Hybrid Pro™ Modular exhibits and counters are a perfect solution for the serious exhibitor. Exhibits feature heavy-duty aluminum extrusion frames and push-fit fabric graphics. Count on making an unforgettable impact with Hybrid Pro Modular exhibit kits, counters, and accessories.



## features and benefits:

- Silver aluminum extrusion frame
- 15'9" tall 20' x 20' island display
- Base structure features white laminate panels with accessible storage closet 96" w x 36" d; lockable door on 36" side
- Six Lumina 200 LED floodlights
- Kit includes frame, accessible lockable storage space, four pillowcase graphics, two fabric graphic panels, three shaped Sintra, three counters, six small monitor mounts, six 200 LED floodlights, two molded OCE storage cases and one woodcrate
- Lifetime hardware warranty against manufacturer defects

## dimensions:

### Hardware

Assembled unit:  
Center Tower: 15'9" h x 7'5.625" d'

Counter w/Sintra Panels:  
51.125" w x 94.5" h x 39.375" d

Counter (each): 37" w x 36.5" h x 25" d  
939.8mm(w) x 927.1mm(h) x 635mm(d)

Counter holds max weight 50 lbs / 22.7 kgs

### Shipping

Shipping dimensions - ships in 3 cases:  
2 OCE cases: 66" l x 18" h x 18" d  
1676.4mm(w) x 457.2mm(h) x 457.2mm(d)

1 WOODCRATE case: 101" l x 53" h x 49" d  
2565.4mm(l) x 1346.2mm(h) x 1244.6mm(d)

Approximate shipping weight (entire kit):  
1353 lbs / 614 kgs

### Graphic

Total visual area:  
Dye Sub Graphic Structure A1, A2, F1 & F2 (double sided):  
Outside: 112.56" w x 47.25" h  
Inside: 110.75" w x 47.25" h

Dye Sub Graphic Structure C1, C2, D1 & D2 (double sided): Outside: 109.5" w x 12" h  
Inside: 117.31" w x 22" h

Dye Sub Fabric Panels B & E:  
35.3" w x 86.48" h

UV Graphic J, K, L: 37.25" w x 35.18" h

UV Graphic G, H, I: 18" w x 49" h

Counter front: 37.25" w x 35.18" h  
946.15mm(w) x 893.57mm(h)

Please consider obstructions and spaces created by the extrusions when designing graphics. Be sure to include a 2" bleed around the perimeter of panel B1, B2, C1 and C2 and 5" bleed for fabric structures.

## additional information:

Fabric material: Dye-sublimated fabric

Tabletop color options:



silver black mahogany natural

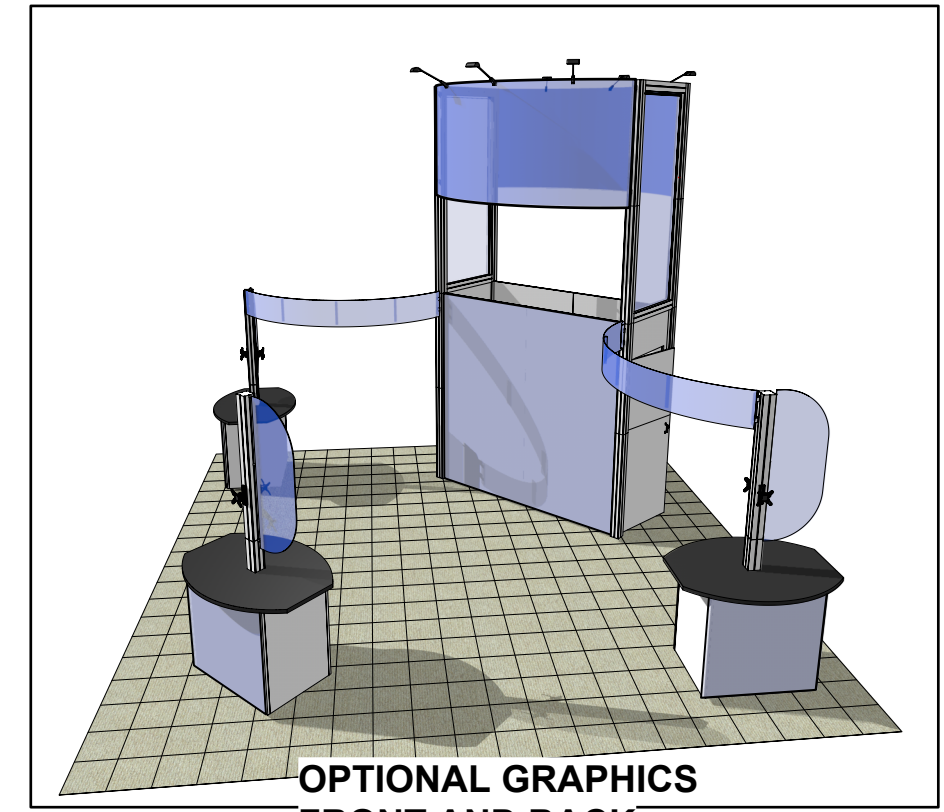
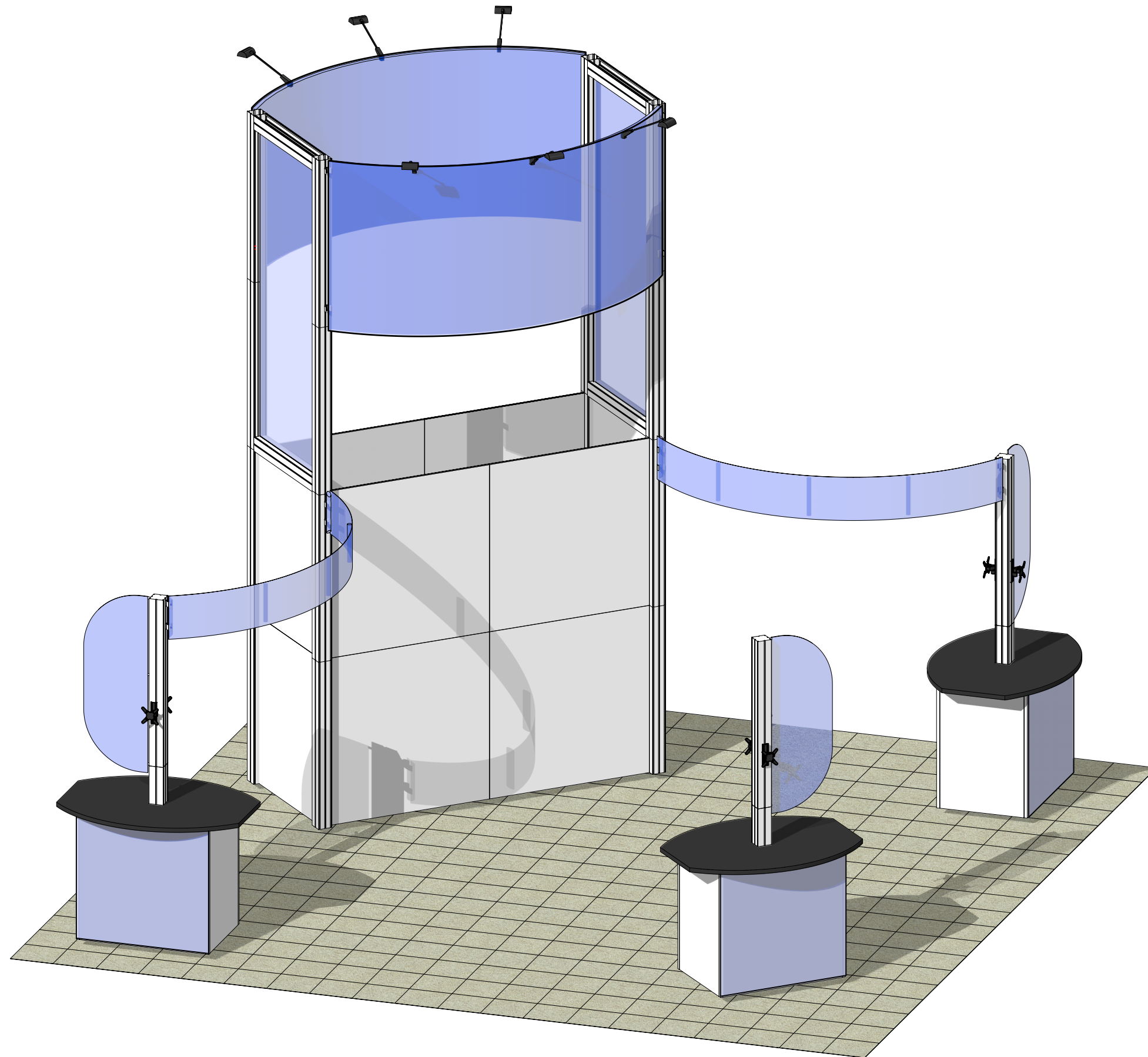
Lights Included: Lumina 200 LED floodlight, straight arm and adjustable head, black finish, 19.5" from end to end

Small monitor bracket holds 13-39" LCD, max weight 25 lbs / 11.34 kgs

\*Flooring and monitors not included

We are continually improving and modifying our product range and reserve the right to vary the specifications without prior notice. All dimensions and weights quoted are approximate and we accept no responsibility for variance. E&OE. See Graphic Templates for graphic bleed specifications.

**R-HP-K-17**

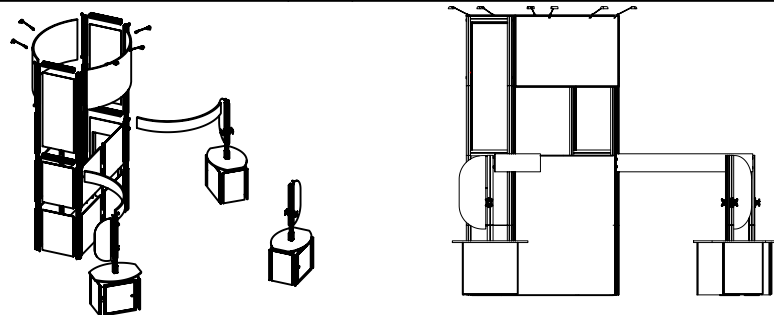
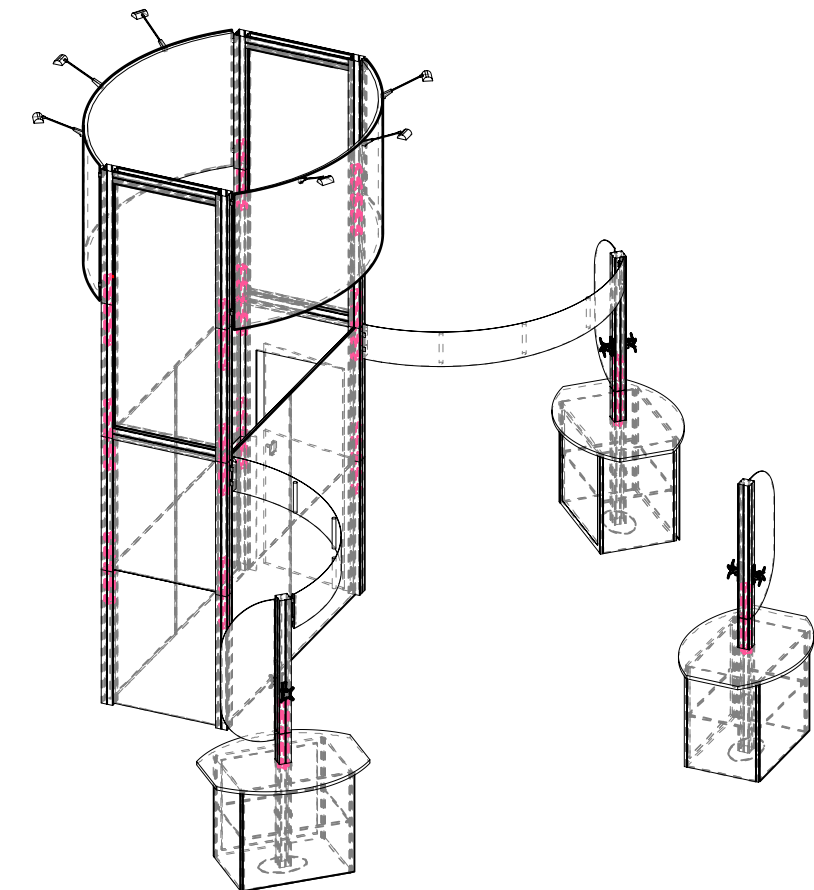
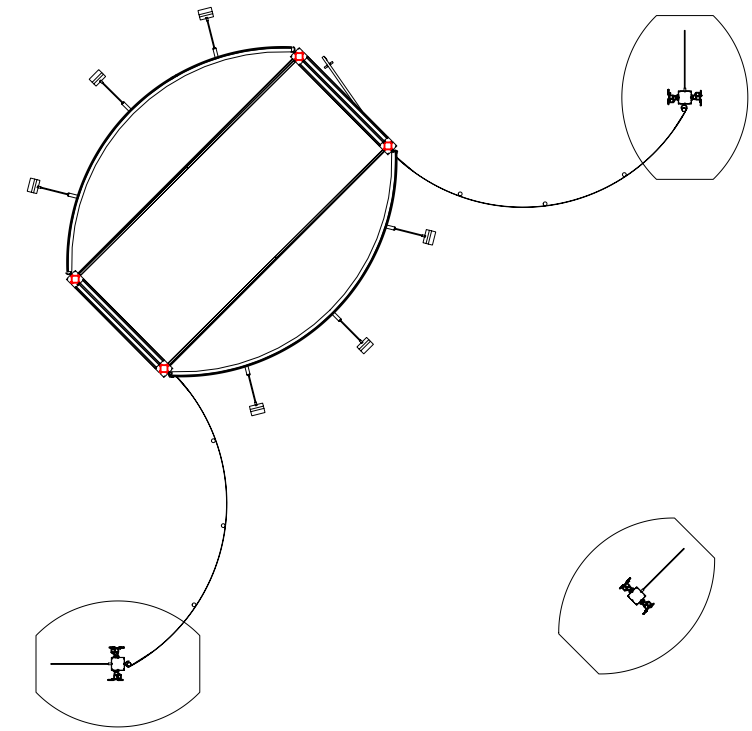


**OPTIONAL GRAPHICS  
FRONT AND BACK**

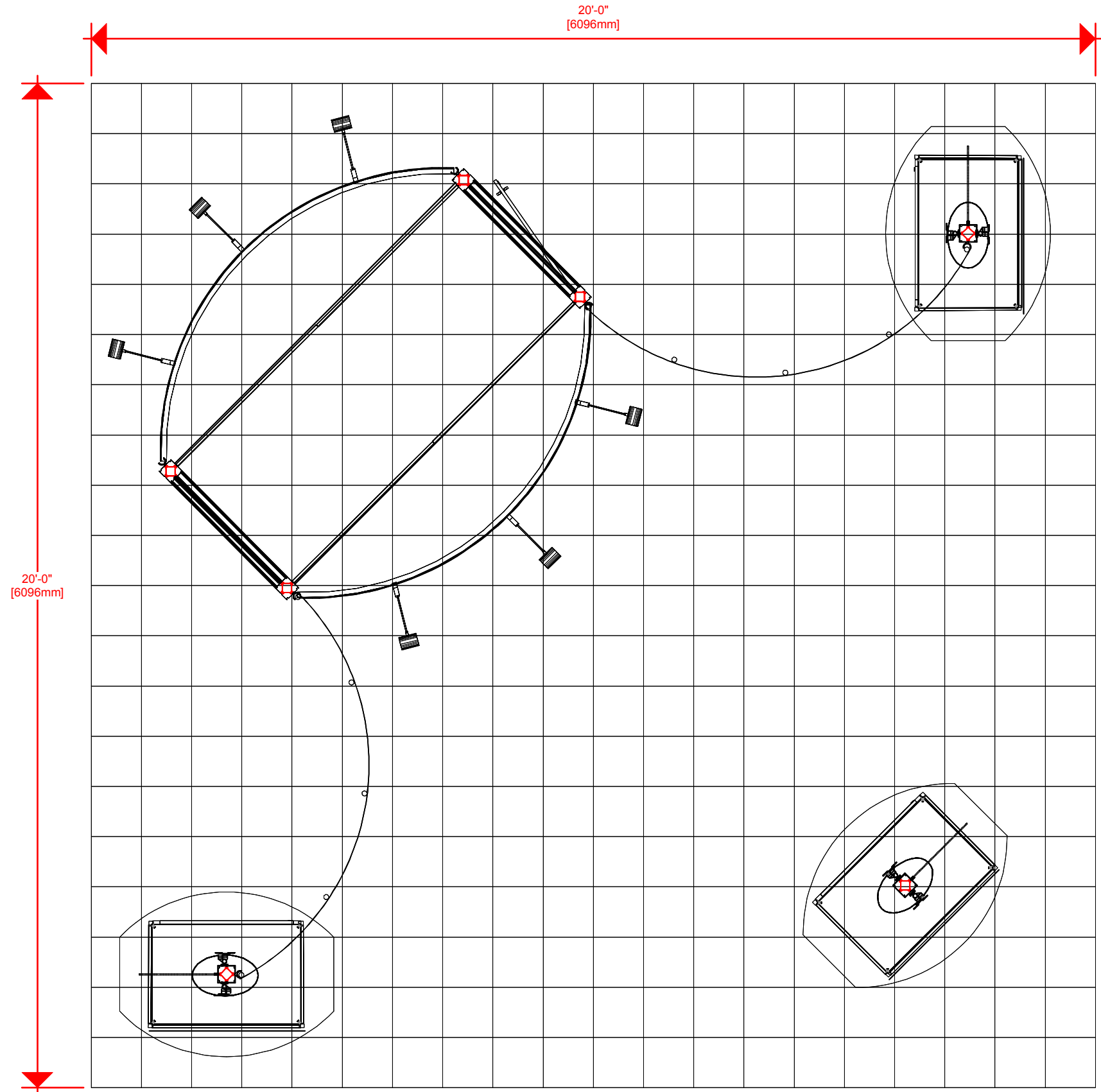
Code	#	Description
R15	16	1200MM PM4S2 SILVER EXTRUSION WITH PH2 STOPS AT 315MM BOTH ENDS
R71	2	1200MM V x 900MM W LAMINATE PANEL
R35	2	900MM PM4S2 SILVER EXTRUSION WITH LOCKS BOTH ENDS
R66	2	900MM PM4U SILVER EXTRUSION WITH LOCKS BOTH ENDS
R70	8	1200MM V x 1200MM W LAMINATE PANEL
L180N-1200	2	1200MM 180N DEGREE SILVER LINK EXTRUSION
R57	3	900MM V x 900MM W LAMINATE PANEL
R74	6	900MM V x 600MM W LAMINATE PANEL
L90S-900	12	900MM 90 DEGREE SILVER LINK EXTRUSION
R13	15	600MM PH2 CONNECTOR WITH TENSION GLIDES
R56	3	900MM W x 900MM V LAMINATE CABINET DOOR PANEL
R69	1	900MM W x 2400MM V FULL SIZE SPLIT LAMINATE DOOR PANEL
CT-54L	3	5' X 4' LAMINATE COUNTER TOP
R114	3	1200MM PM4S2 WITH SET SCREW AT 305MM BOTH ENDS WIRE HOLE @ BOTTOM
R113	3	1200MM PM4S2 WITH SET SCREW AT 305MM BOTH ENDS WIRE HOLE @ MIDDLE
GRAPHIC D2	1	49.75" X 18" DSG DOUBLE SIDED GRAPHIC ON 6MM SINTRA
PANEL CLAMP	9	45-panel clamp (hamburger clip)
GRAPHIC D3	1	49.75" X 18" DSG DOUBLE SIDED GRAPHIC ON 6MM SINTRA
GRAPHIC D1	1	49.75" X 18" DSG DOUBLE SIDED GRAPHIC ON 6MM SINTRA
TC-30MM	16	SILVER ANODIZE FINISH 30MM TUBE CLAMP
CFS	1	(A) 8' L X 4' H CURVE BANNER W/ GRAPHIC I
LEDL10S	6	LED SPOTLIGHT,3M,UL PLUG W/TRANSFORMER SILVER
NF-RK-09-1	1	(C2) 108" X 12" & CONVEX 106" X 12" CONCAVE C SHPD FAB STRUCT GRFX - PRINT B.S.
L180N-600	4	600MM 180N DEGREE SILVER LINK EXTRUSION
L180N-1200	8	1200MM (47.24") 180N DEGREE SILVER LINK EXTRUSION
L180N-600	16	600MM (23.62") 180N DEGREE SILVER LINK EXTRUSION
GRAPHIC B1	1	86 10/16" (H) X 35 7/8" (W) SINGLE SIDED DYESUB GRAPHIC WITH FCE-2
CFS	1	(A2) 8' L X 4' H CURVE BANNER W/ GRAPHIC H
GRAPHIC B2	1	86 10/16" (H) X 35 7/8" (W) SINGLE SIDED DYESUB GRAPHIC WITH FCE-2
NF-RK-09-1	1	(C1) 108" X 12" CONVEX & 106" X 12" CONCAVE C SHPD FAB STRUCT GRFX - PRINT B.S. (RK-09 KIT)
GRAPHIC E1	1	35 3/16" (H) X 37 1/4" (W) ROLLABLE DETACHABLE DSG GRAPHIC WITH MAGNET ON BACK PERIMETER
GRAPHIC E2	1	35 3/16" (H) X 37 1/4" (W) ROLLABLE DETACHABLE DSG GRAPHIC WITH MAGNET ON BACK PERIMETER
GRAPHIC E3	1	35 3/16" (H) X 37 1/4" (W) ROLLABLE DETACHABLE DSG GRAPHIC WITH MAGNET ON BACK PERIMETER
PM4BP1	3	15 3/4" X 9 7/8" ALUMINUM BASE PLATE
SM-BRACKET	6	SMALL MONITOR BRACKET
INTERNAL SHELF	3	BLACK INTERNAL SHELF
SS1	12	SHELF SUPPORT PIN (SILVER)
R67	4	900MM (35.43") FABRIC CONNECTION EXTRUSION WITH ROUTES
R68	4	2186MM (86.06") FABRIC CONNECTION EXTRUSION
GRAPHIC M	2	98.5" X 98.25" DYESUB GRAPHIC WITH VELCRO

# BOM

R-HP-K-17





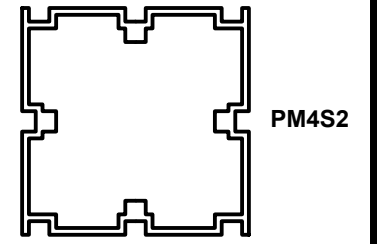
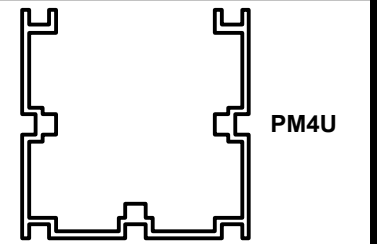


(6) LEDL10S LIGHTS = 50W PER STICK

1. Redesign of this exhibit without approval by manufacturer may result in dangerous and unsafe structures. Manufacturer disclaims any responsibility for redesigned exhibits it does not approve in writing.

2. Parts and components such as panels and extrusions are manufactured to metric sizing. Where ever possible sizes have been noted in feet and inches as well as in metric. Below is the imperial to metric sizing table as reference. "Nominal" refers to approximate size.

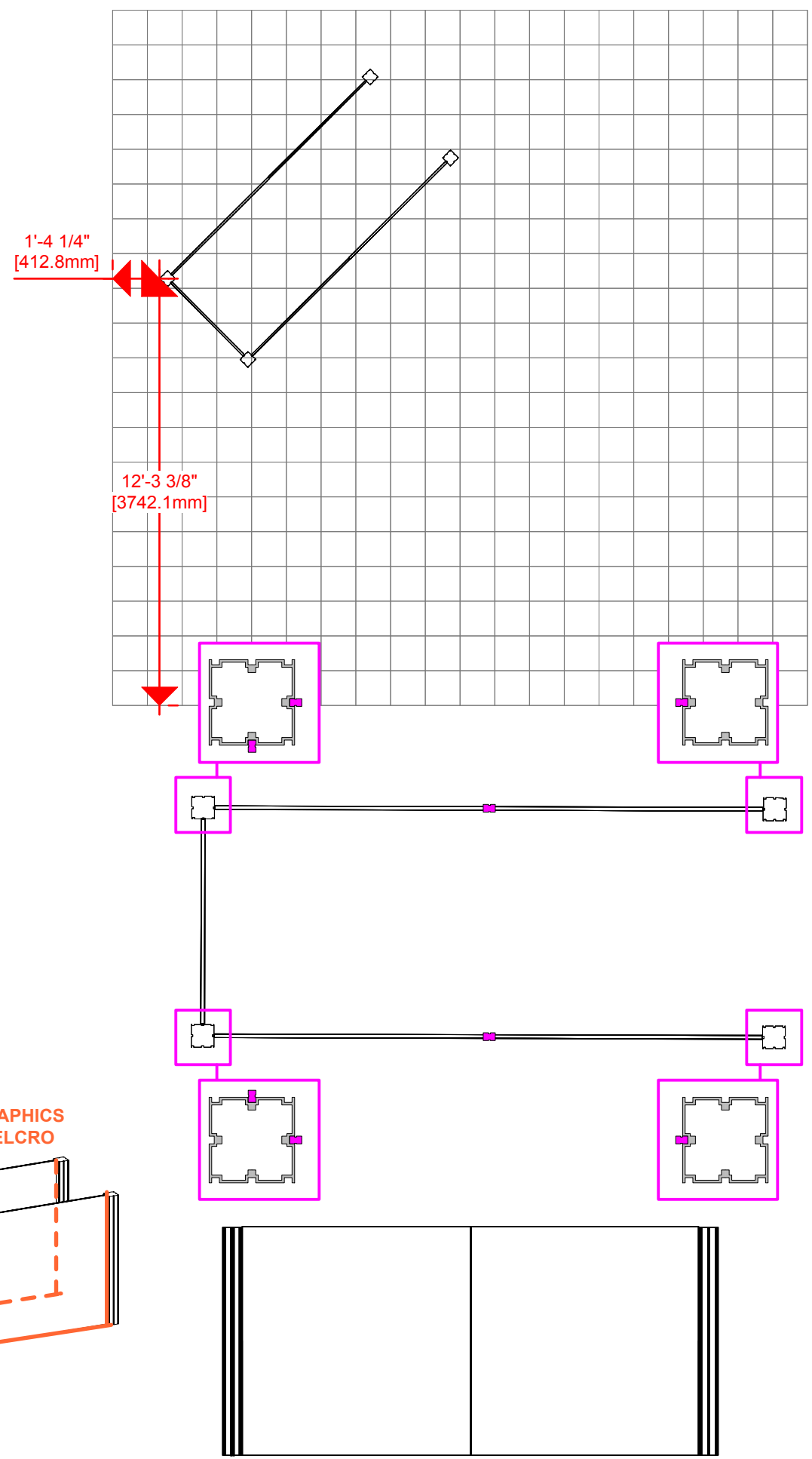
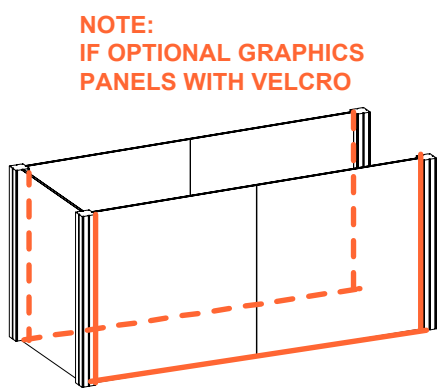
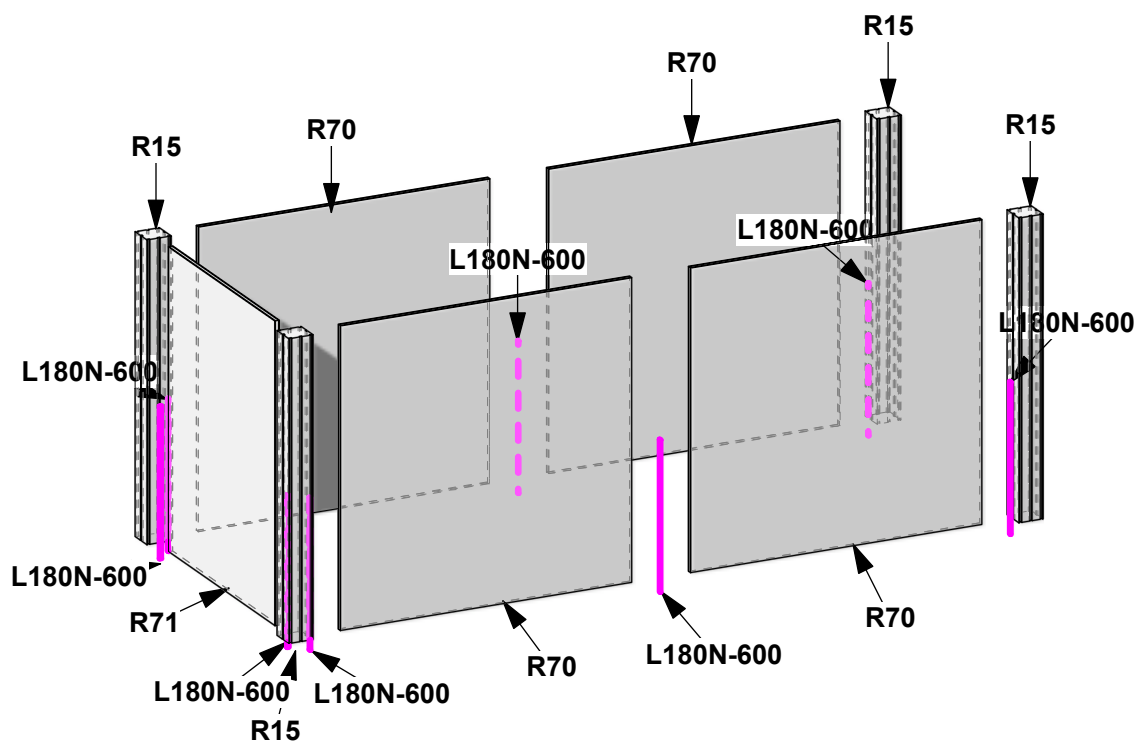
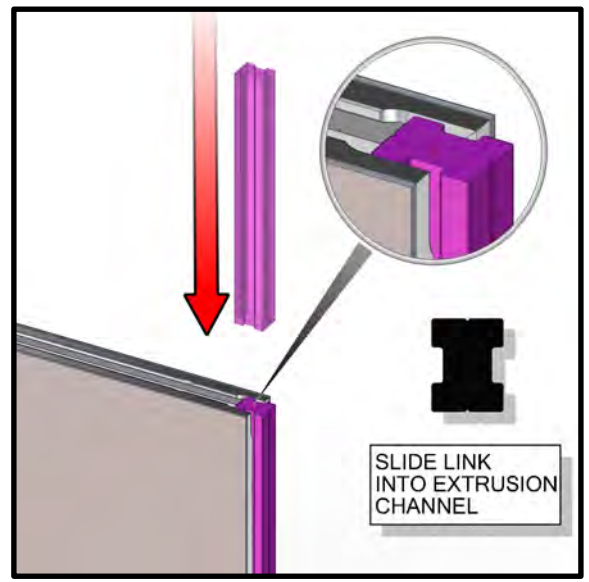
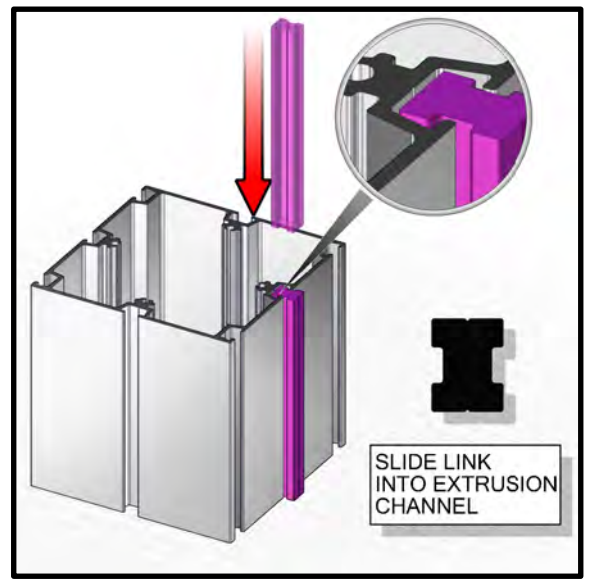
- |                    |                                 |
|--------------------|---------------------------------|
| 2400mm = (94 1/2") | Phone Line / Fax                |
| 2100mm = (82 5/8") | Internet connection             |
| 1800mm = (70 7/8") | Outlet                          |
| 1500mm = (59")     | Main Drop (point of distrution) |
| 1200mm = (47 1/4") |                                 |
| 900mm = (35 1/2")  |                                 |
| 600mm = (23 5/8")  |                                 |
| 300mm = (11 7/8")  |                                 |
- Wire running under carpet



**HYBRID PRO RENTAL KIT**

Title: SET-UP INSTRUCTIONS

Code	#	Description
R15	4	1200MM PM4S2 SILVER EXTRUSION WITH PH2 STOPS AT 315MM BOTH ENDS
R71	1	1200MM V x 900MM W LAMINATE PANEL
R70	4	1200MM V x 1200MM W LAMINATE PANEL
L180N-600	2	600MM 180N DEGREE SILVER LINK EXTRUSION
L180N-600	6	600MM (23.62") 180N DEGREE SILVER LINK EXTRUSION

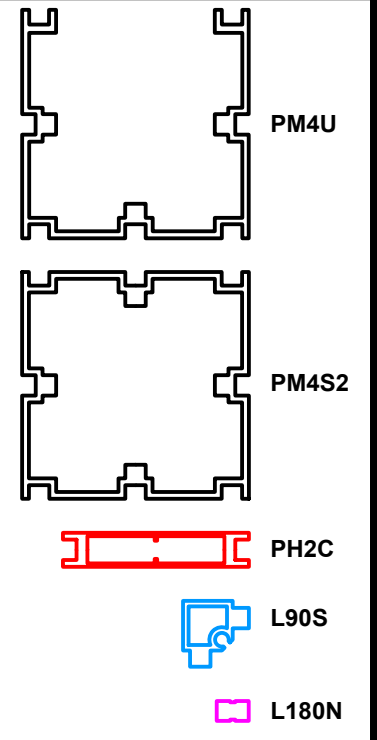


1. Redesign of this exhibit without approval by manufacturer may result in dangerous and unsafe structures. Manufacturer disclaims any responsibility for redesigned exhibits it does not approve in writing.

2. Parts and components such as panels and extrusions are manufactured to metric sizing. Where ever possible sizes have been noted in feet and inches as well as in metric. Below is the imperial to metric sizing table as reference. "Nominal" refers to approximate size.

2400mm = (94 1/2")	Phone Line / Fax
2100mm = (82 5/8")	Internet connection
1800mm = (70 7/8")	Outlet
1500mm = (59")	Main Drop (point of distrution)
1200mm = (47 1/4")	
900mm = (35 1/2")	
600mm = (23 5/8")	
300mm = (11 7/8")	

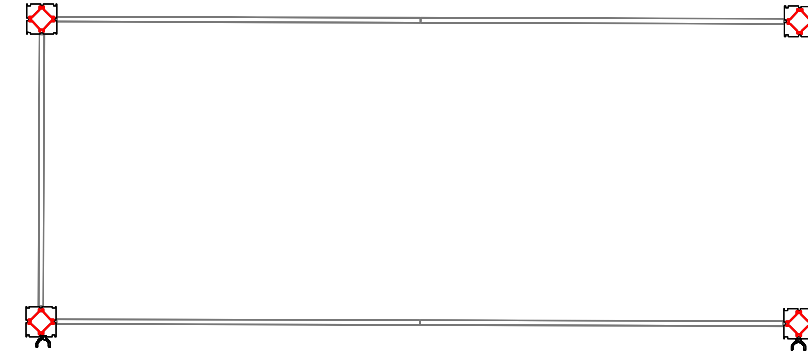
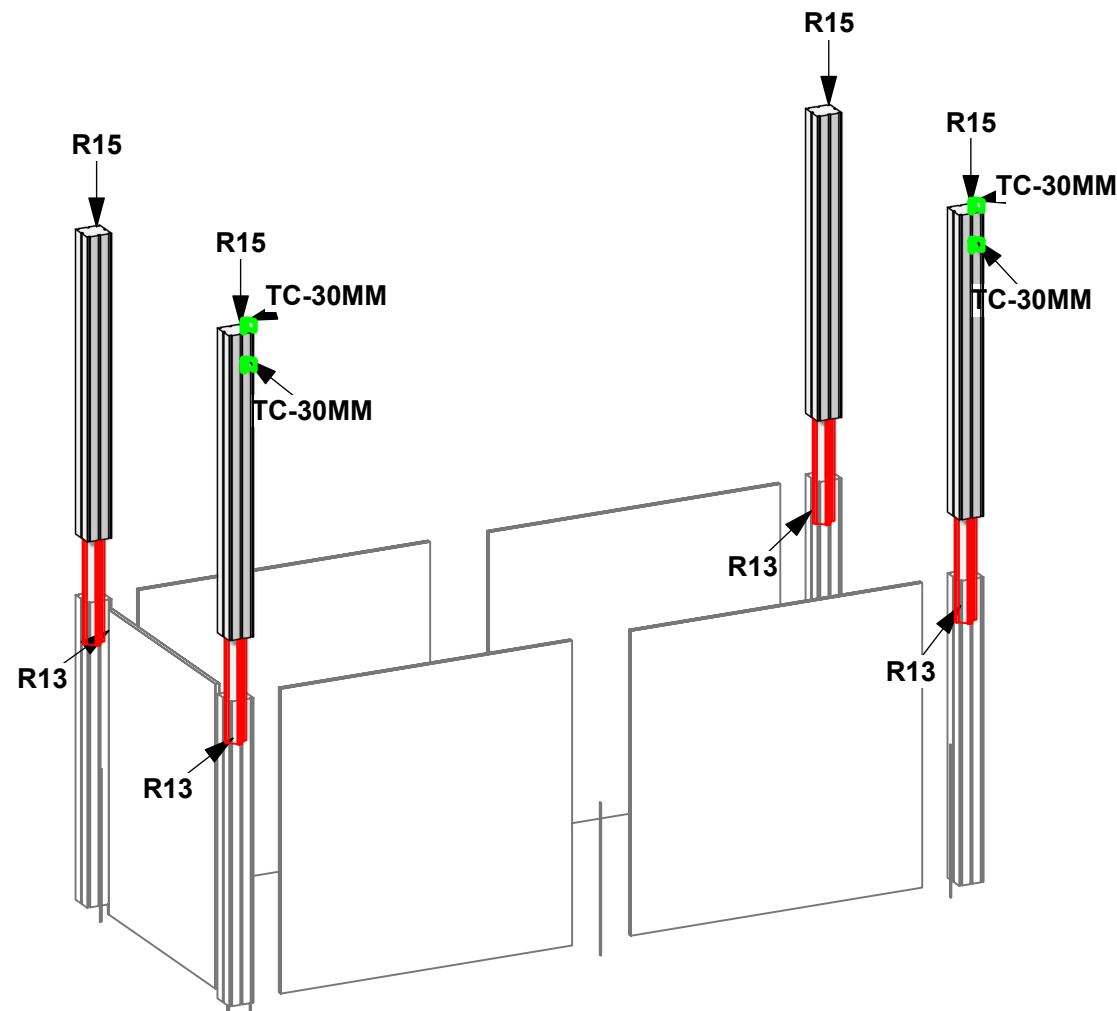
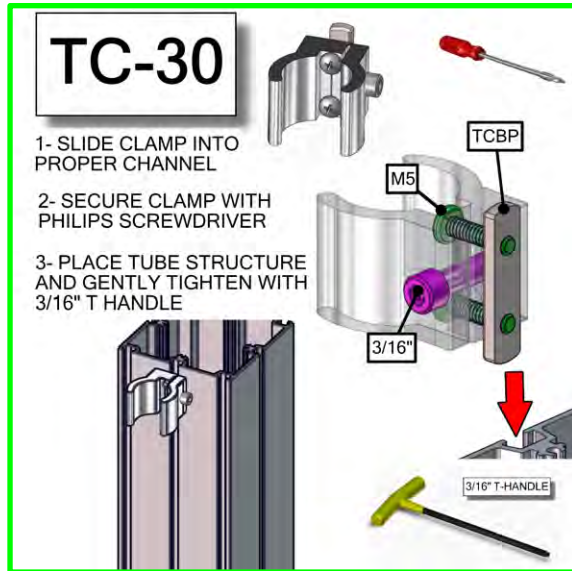
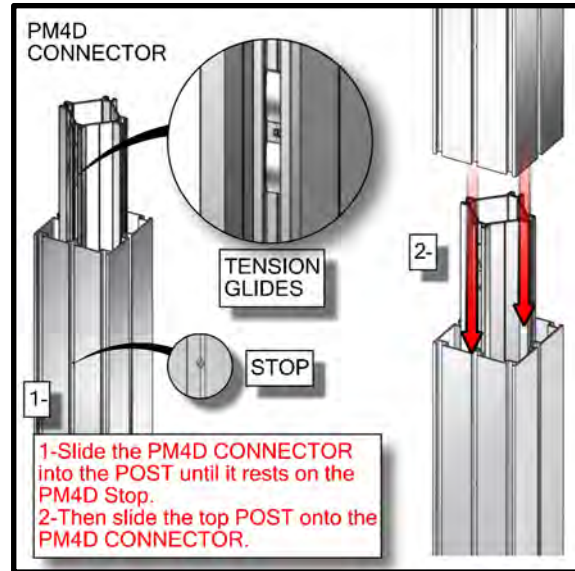
--- Wire running under carpet



HYBRID PRO RENTAL KIT

Title: SET-UP INSTRUCTIONS

Code	#	Description
R15	4	1200MM PM4S2 SILVER EXTRUSION WITH PH2 STOPS AT 315MM BOTH ENDS
R13	4	600MM PH2 CONNECTOR WITH TENSION GLIDES
TC-30MM	4	SILVER ANODIZE FINISH 30MM TUBE CLAMP

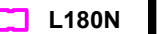
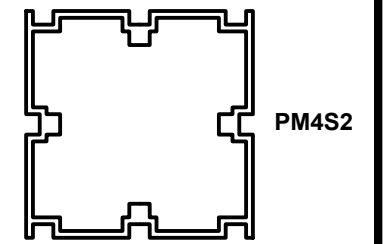
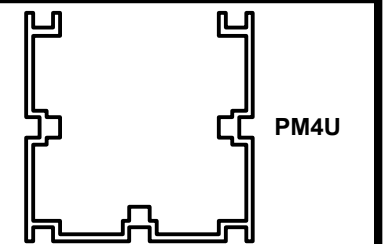


1. Redesign of this exhibit without approval by manufacturer may result in dangerous and unsafe structures. Manufacturer disclaims any responsibility for redesigned exhibits it does not approve in writing.

2. Parts and components such as panels and extrusions are manufactured to metric sizing. Where ever possible sizes have been noted in feet and inches as well as in metric. Below is the imperial to metric sizing table as reference. \*Nominal refers to approximate size.

2400mm = (94 1/2")	Phone Line / Fax
2100mm = (82 5/8")	Internet connection
1800mm = (70 7/8")	Outlet
1500mm = (59")	Main Drop (point of distrution)
1200mm = (47 1/4")	
900mm = (35 1/2")	
600mm = (23 5/8")	
300mm = (11 7/8")	

--- Wire running under carpet

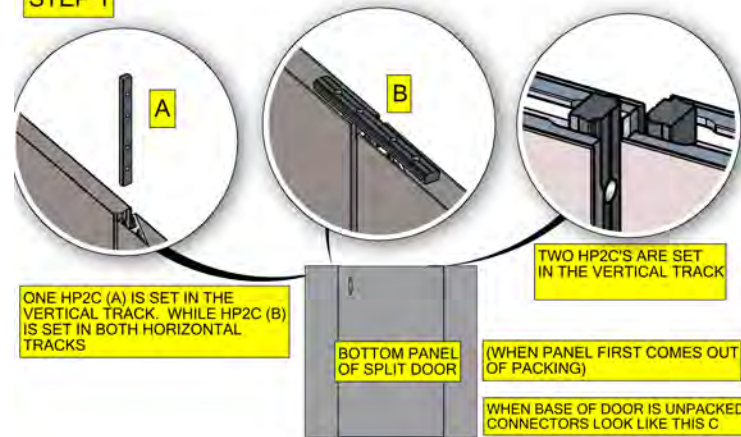


**HYBRID PRO RENTAL KIT**

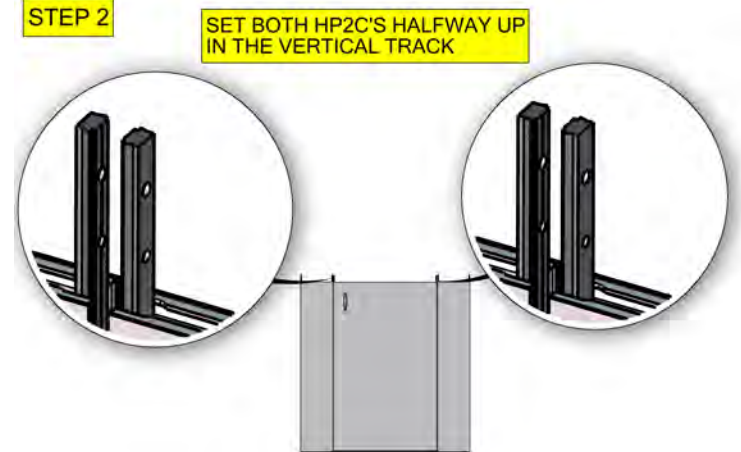
Title: SET-UP INSTRUCTIONS

Code	#	Description
R69	1	900MM W x 2400MM V FULL SIZE SPLIT LAMINATE DOOR PANEL
L180N-1200	2	1200MM (47.24") 180N DEGREE SILVER LINK EXTRUSION
L180N-600	4	600MM (23.62") 180N DEGREE SILVER LINK EXTRUSION

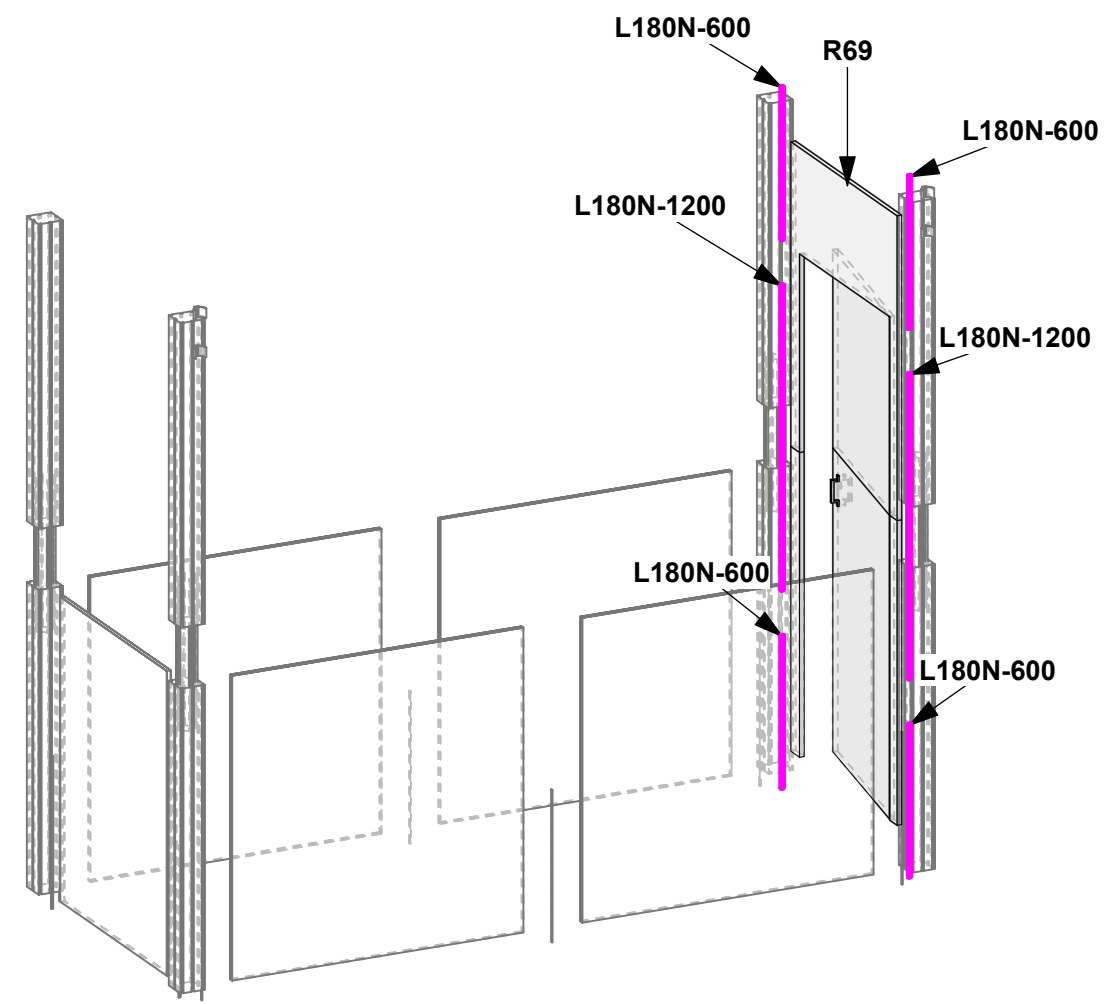
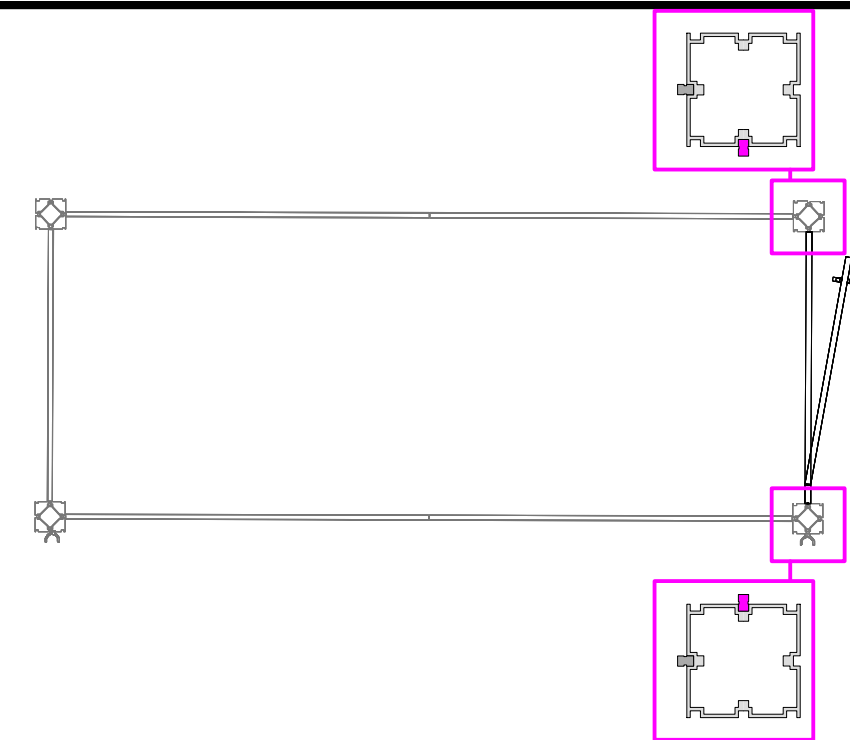
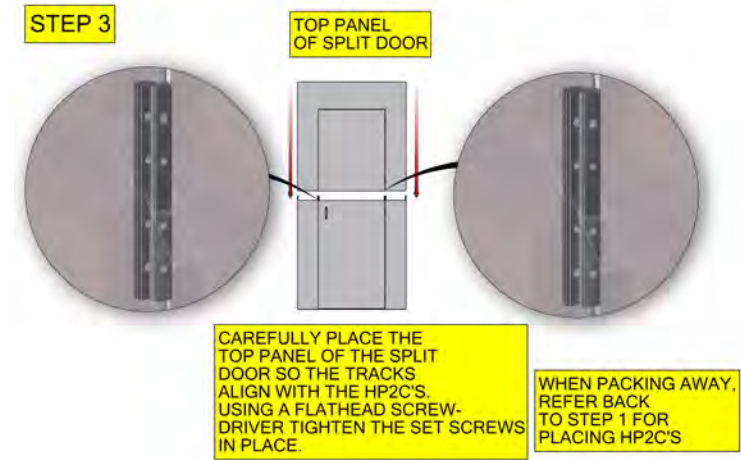
**STEP 1**



**STEP 2**



**STEP 3**

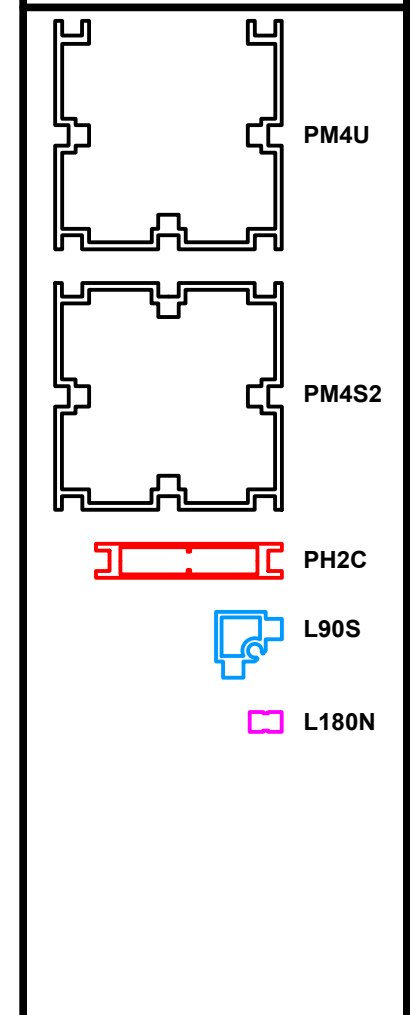


1. Redesign of this exhibit without approval by manufacturer may result in dangerous and unsafe structures. Manufacturer disclaims any responsibility for redesigned exhibits it does not approve in writing.

2. Parts and components such as panels and extrusions are manufactured to metric sizing. Where ever possible sizes have been noted in feet and inches as well as in metric. Below is the imperial to metric sizing table as reference. \*Nominal" refers to approximate size.

2400mm = (94 1/2")	Phone Line / Fax
2100mm = (82 5/8")	Internet connection
1800mm = (70 7/8")	Outlet
1500mm = (59")	Main Drop (point of distrution)
1200mm = (47 1/4")	
900mm = (35 1/2")	
600mm = (23 5/8")	
300mm = (11 7/8")	

--- Wire running under carpet

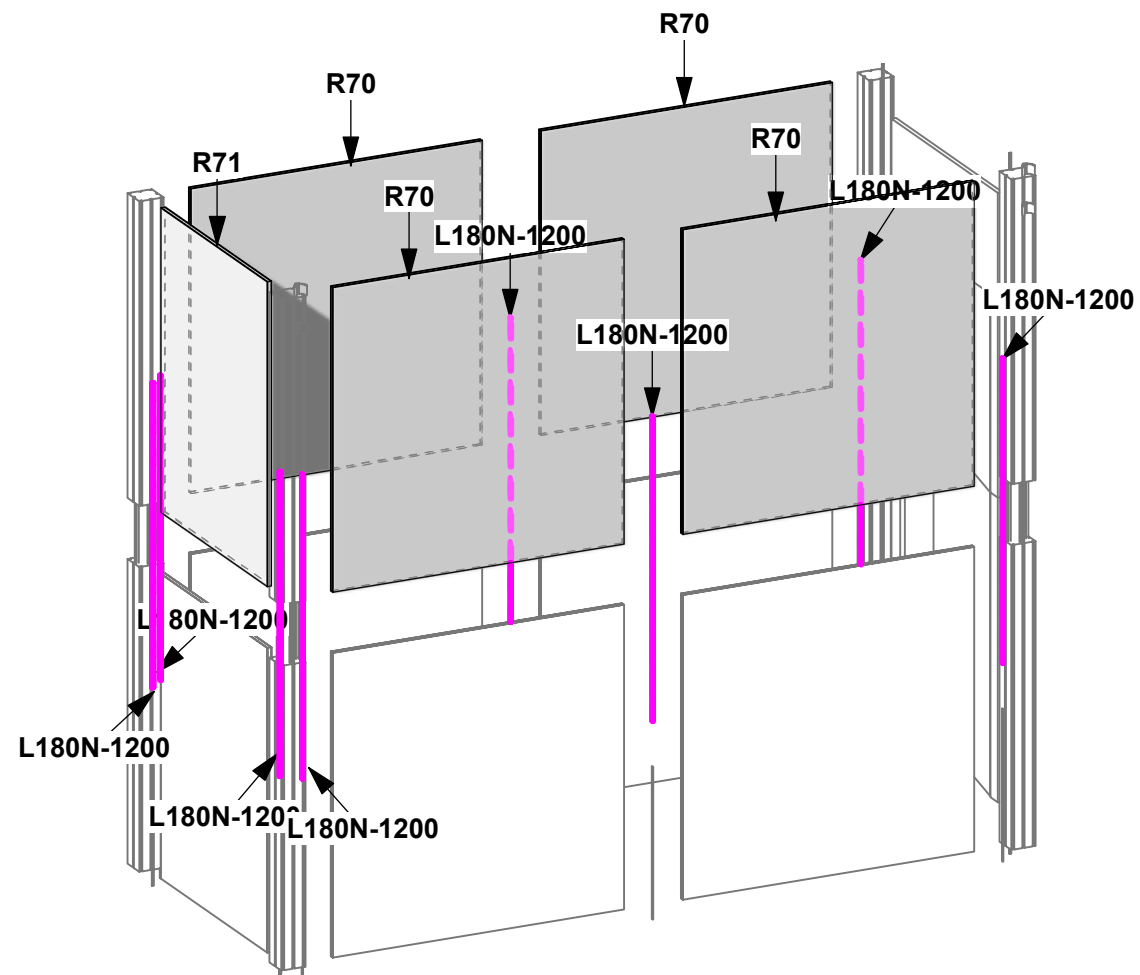
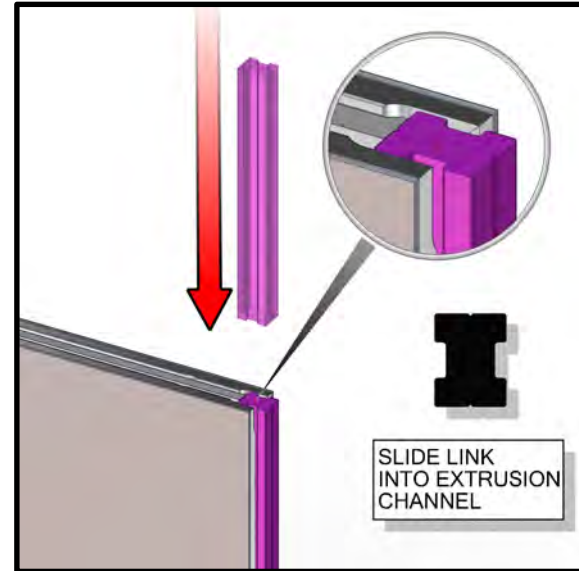
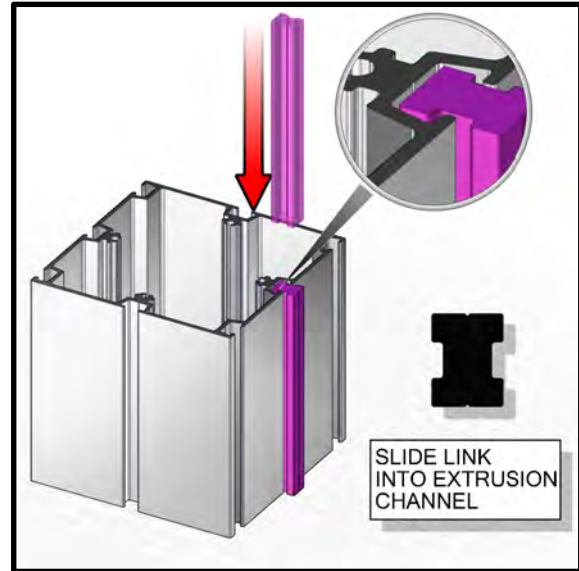


**HYBRID PRO RENTAL KIT**

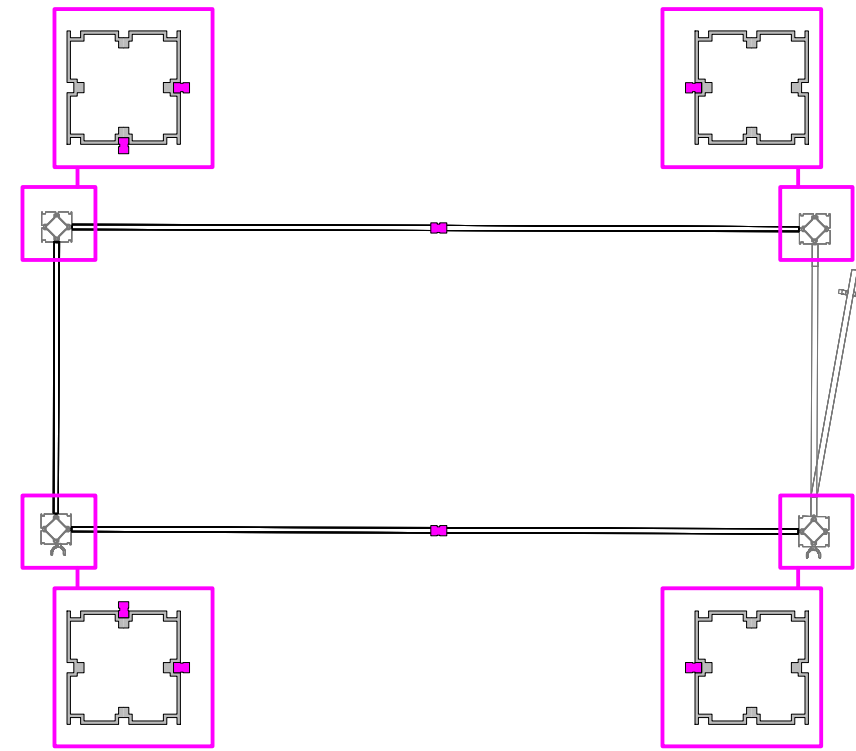
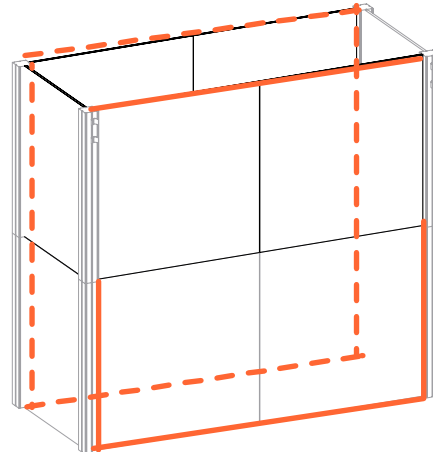
Title: SET-UP INSTRUCTIONS



Code	#	Description
R71	1	1200MM V x 900MM W LAMINATE PANEL
R70	4	1200MM V x 1200MM W LAMINATE PANEL
L180N-1200	2	1200MM 180N DEGREE SILVER LINK EXTRUSION
L180N-1200	6	1200MM (47.24") 180N DEGREE SILVER LINK EXTRUSION



NOTE:  
IF OPTIONAL GRAPHICS  
PANELS WITH VELCRO

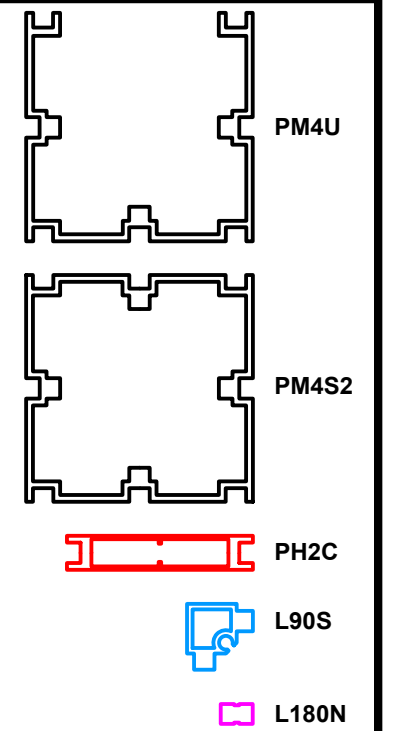


1. Redesign of this exhibit without approval by manufacturer may result in dangerous and unsafe structures. Manufacturer disclaims any responsibility for redesigned exhibits it does not approve in writing.

2. Parts and components such as panels and extrusions are manufactured to metric sizing. Where ever possible sizes have been noted in feet and inches as well as in metric. Below is the imperial to metric sizing table as reference. "Nominal" refers to approximate size.

2400mm = (94 1/2")	Phone Line / Fax
2100mm = (82 5/8")	Internet connection
1800mm = (70 7/8")	Outlet
1500mm = (59")	Main Drop (point of distrution)
1200mm = (47 1/4")	
900mm = (35 1/2")	
600mm = (23 5/8")	
300mm = (11 7/8")	

--- Wire running under carpet



HYBRID PRO RENTAL KIT

Title: SET-UP INSTRUCTIONS



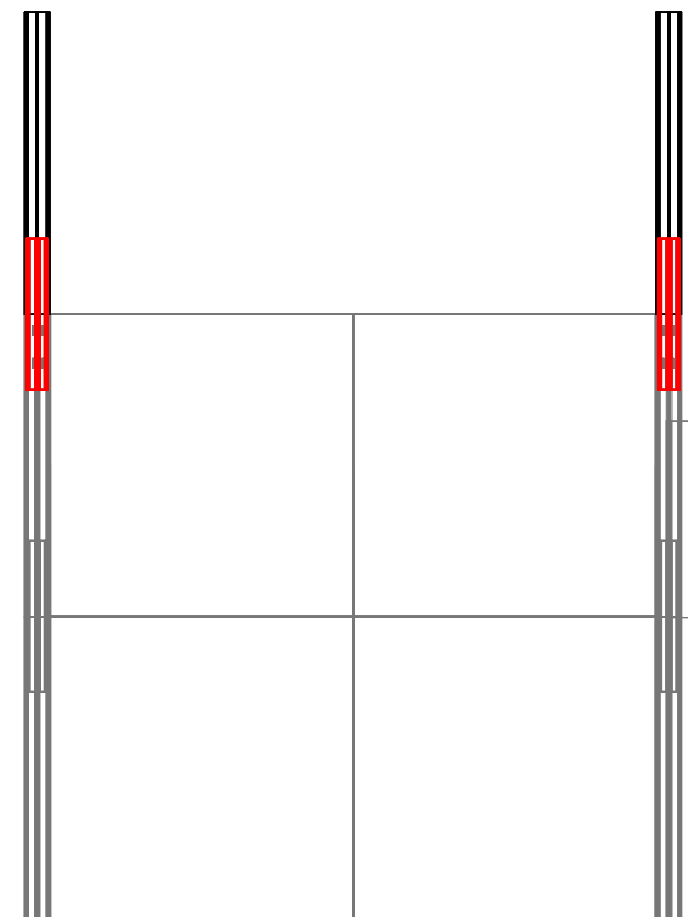
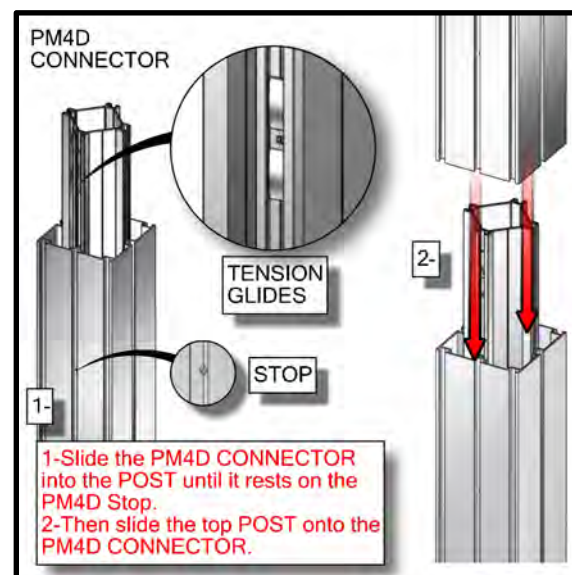
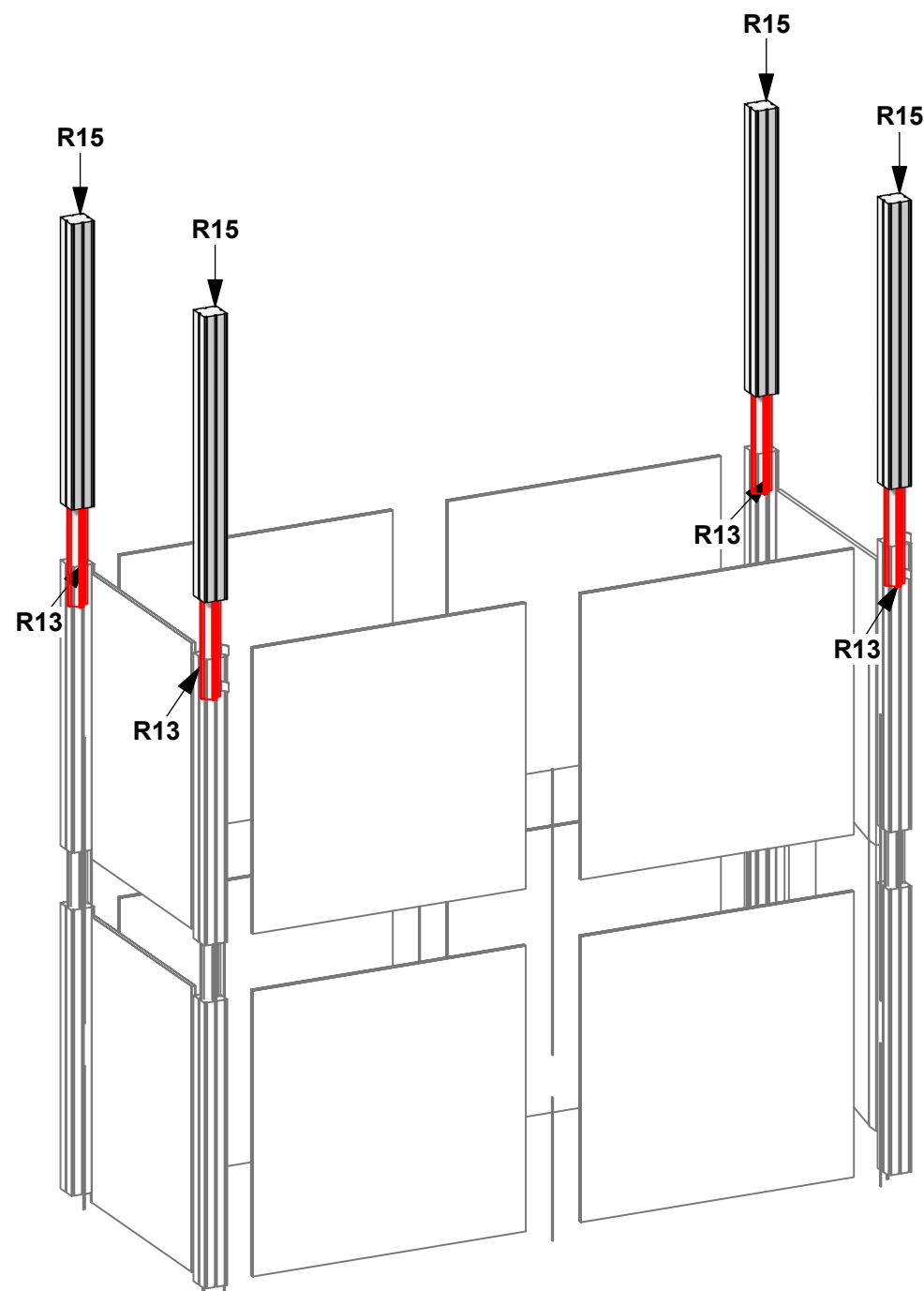
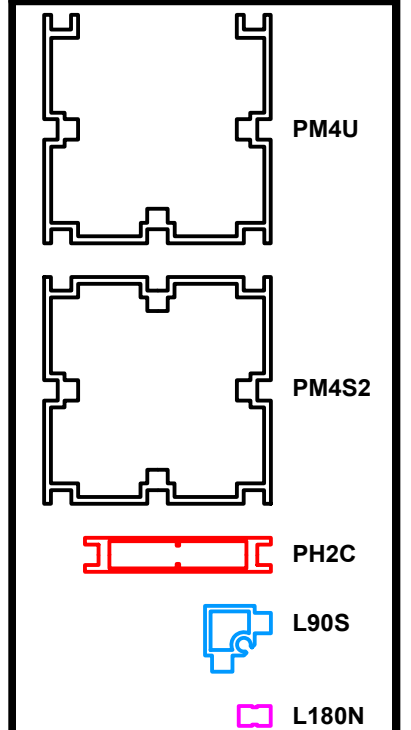
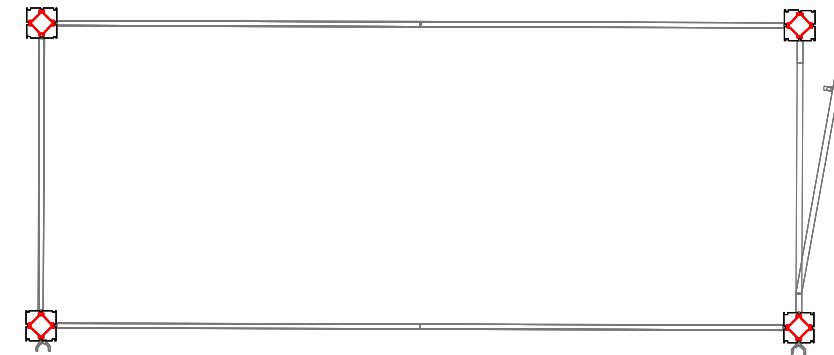
Code	#	Description
R15	4	1200MM PM4S2 SILVER EXTRUSION WITH PH2 STOPS AT 315MM BOTH ENDS
R13	4	600MM PH2 CONNECTOR WITH TENSION GLIDES

1. Redesign of this exhibit without approval by manufacturer may result in dangerous and unsafe structures. Manufacturer disclaims any responsibility for redesigned exhibits it does not approve in writing.

2. Parts and components such as panels and extrusions are manufactured to metric sizing. Where ever possible sizes have been noted in feet and inches as well as in metric. Below is the imperial to metric sizing table as reference. "Nominal" refers to approximate size.

2400mm = (94 1/2")	Phone Line / Fax
2100mm = (82 5/8")	Internet connection
1800mm = (70 7/8")	Outlet
1500mm = (59")	Main Drop (point of distrution)
1200mm = (47 1/4")	
900mm = (35 1/2")	
600mm = (23 5/8")	
300mm = (11 7/8")	

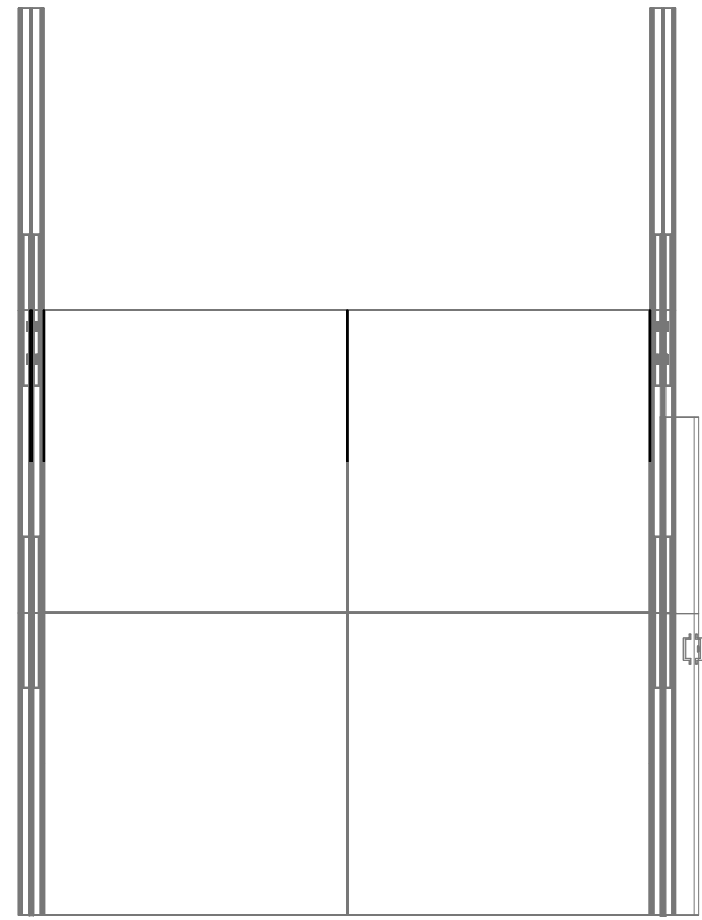
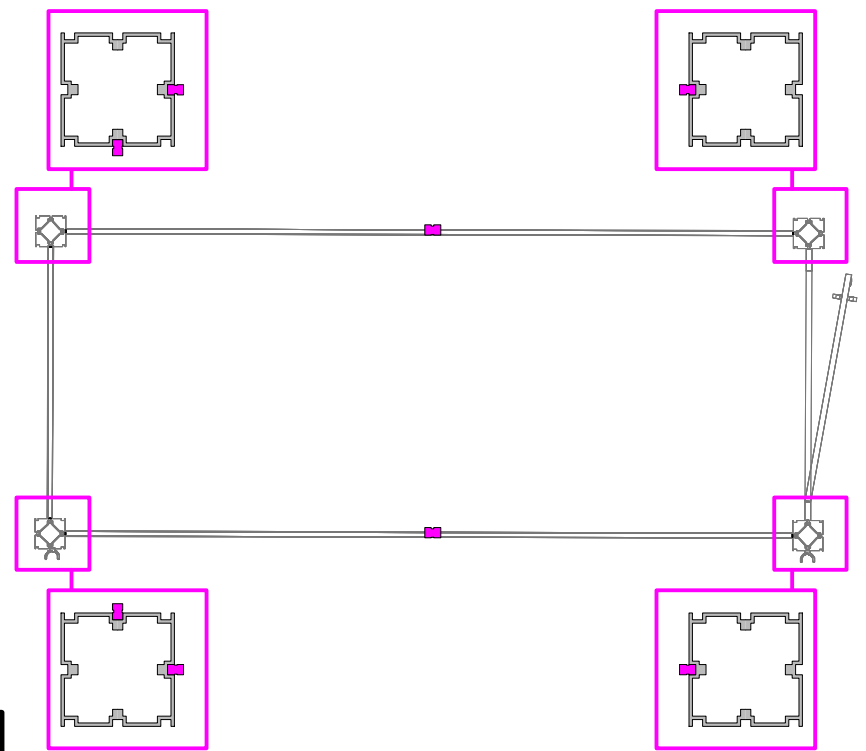
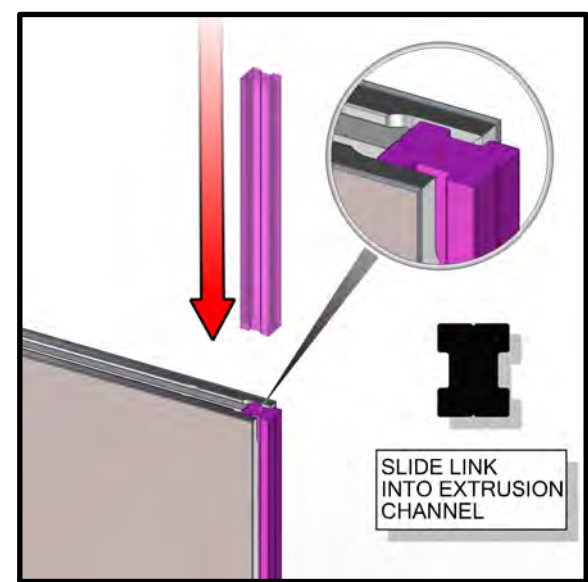
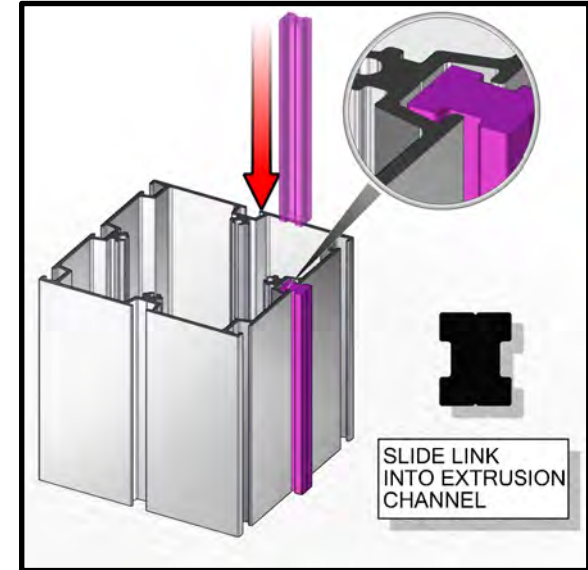
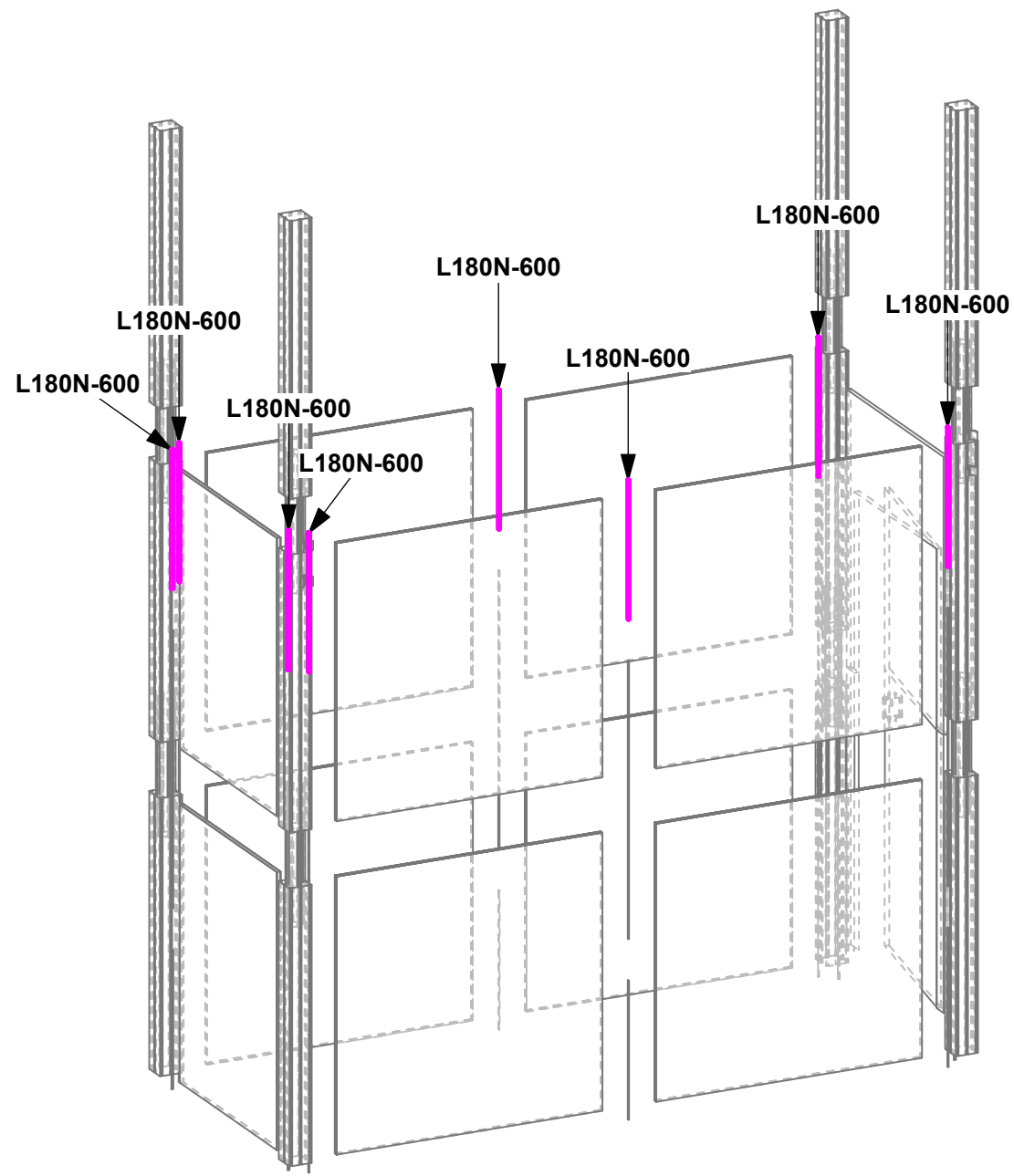
--- Wire running under carpet



**HYBRID PRO RENTAL KIT**

Title: SET-UP INSTRUCTIONS

Code	#	Description
L180N-600	2	600MM 180N DEGREE SILVER LINK EXTRUSION
L180N-600	6	600MM (23.62") 180N DEGREE SILVER LINK EXTRUSION

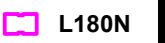
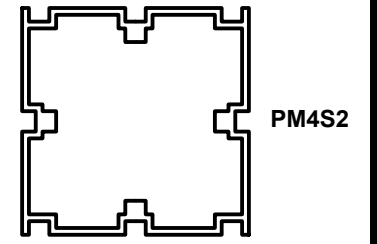
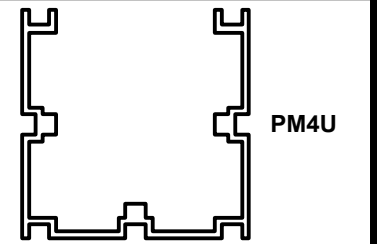


1. Redesign of this exhibit without approval by manufacturer may result in dangerous and unsafe structures. Manufacturer disclaims any responsibility for redesigned exhibits it does not approve in writing.

2. Parts and components such as panels and extrusions are manufactured to metric sizing. Where ever possible sizes have been noted in feet and inches as well as in metric. Below is the imperial to metric sizing table as reference. "Nominal" refers to approximate size.

2400mm = (94 1/2")	Phone Line / Fax
2100mm = (82 5/8")	Internet connection
1800mm = (70 7/8")	Outlet
1500mm = (59")	Main Drop (point of distrution)
1200mm = (47 1/4")	
900mm = (35 1/2")	
600mm = (23 5/8")	
300mm = (11 7/8")	

--- Wire running under carpet



**HYBRID PRO RENTAL KIT**

Title: SET-UP INSTRUCTIONS

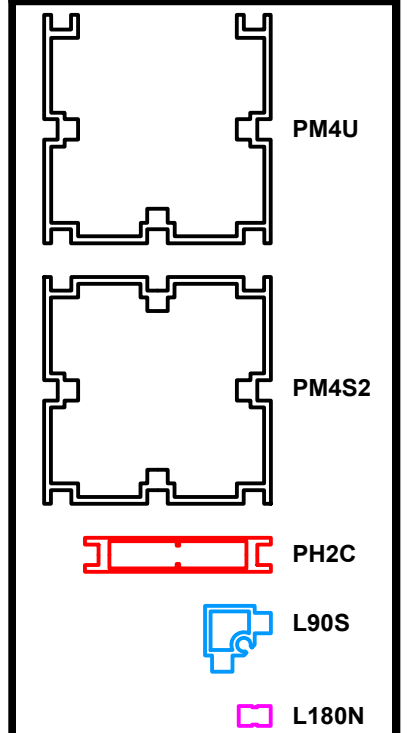
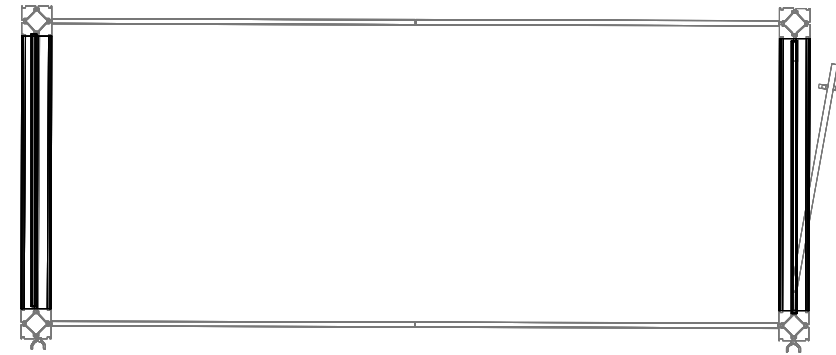
Code	#	Description
R35	2	900MM PM4S2 SILVER EXTRUSION WITH LOCKS BOTH ENDS
R67	2	900MM (35.43") FABRIC CONNECTION EXTRUSION WITH ROUTES

1. Redesign of this exhibit without approval by manufacturer may result in dangerous and unsafe structures. Manufacturer disclaims any responsibility for redesigned exhibits it does not approve in writing.

2. Parts and components such as panels and extrusions are manufactured to metric sizing. Where ever possible sizes have been noted in feet and inches as well as in metric. Below is the imperial to metric sizing table as reference. "Nominal" refers to approximate size.

2400mm = (94 1/2")	Phone Line / Fax
2100mm = (82 5/8")	Internet connection
1800mm = (70 7/8")	Outlet
1500mm = (59")	Main Drop (point of distrution)
1200mm = (47 1/4")	
900mm = (35 1/2")	
600mm = (23 5/8")	
300mm = (11 7/8")	

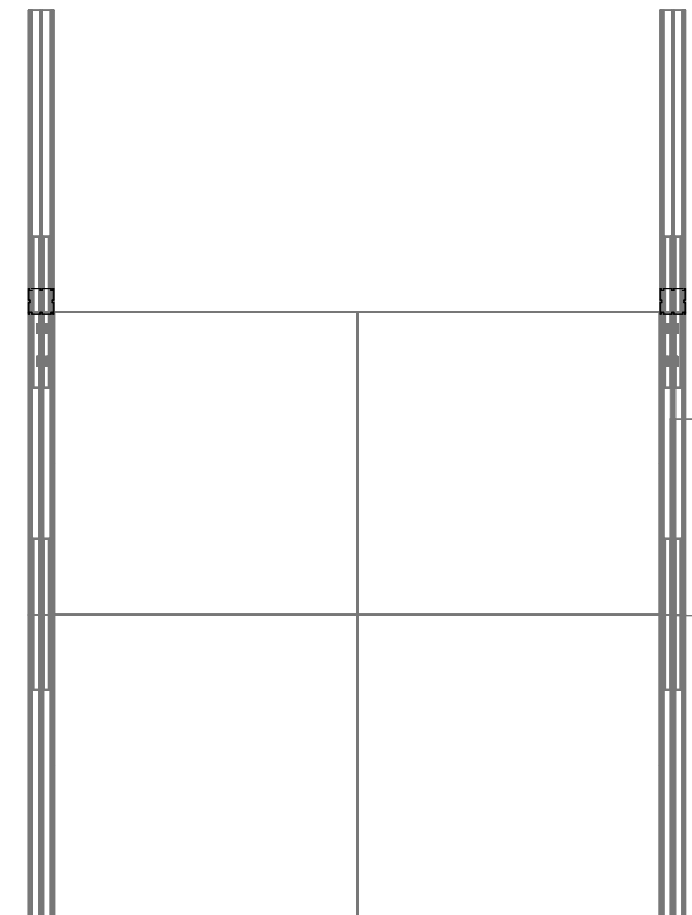
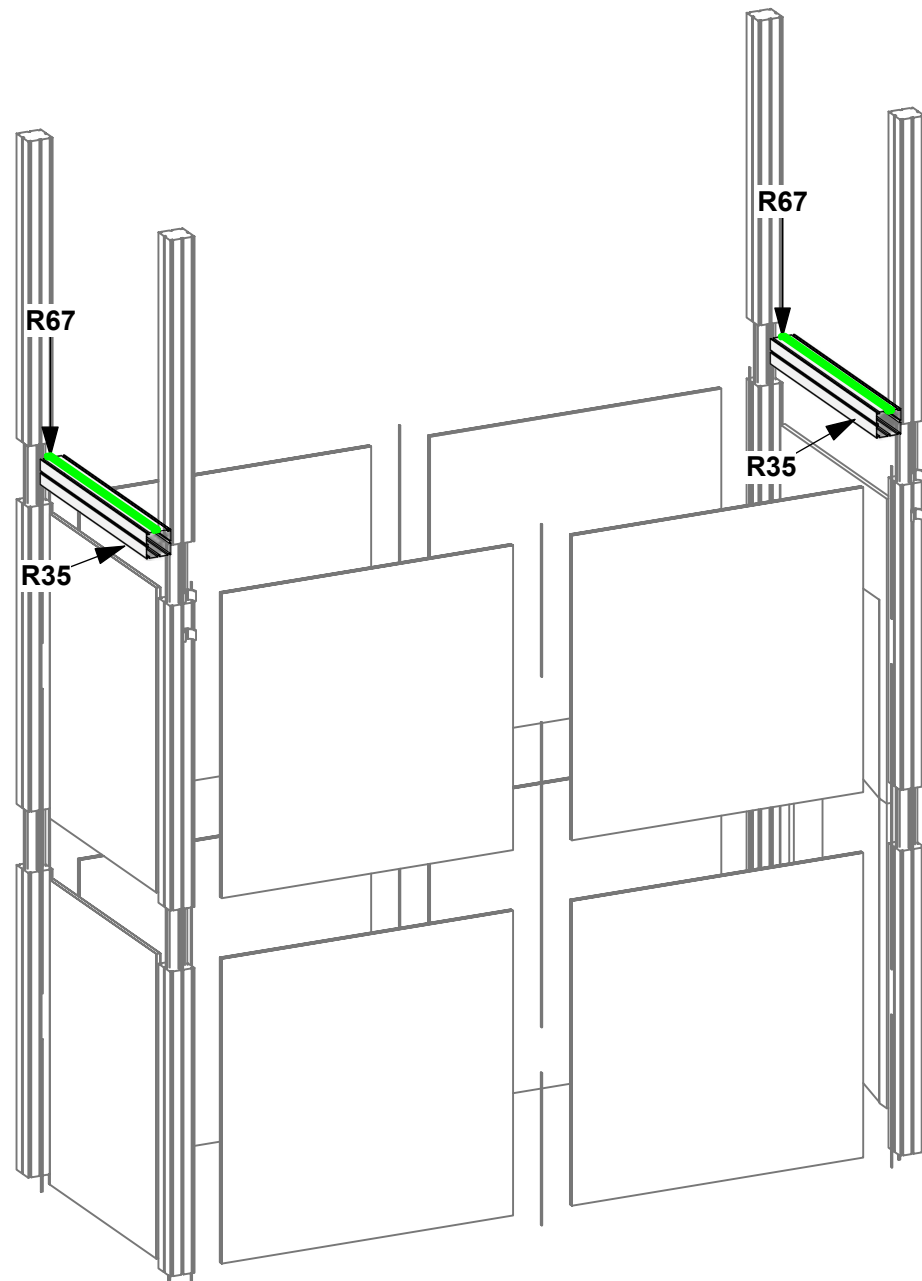
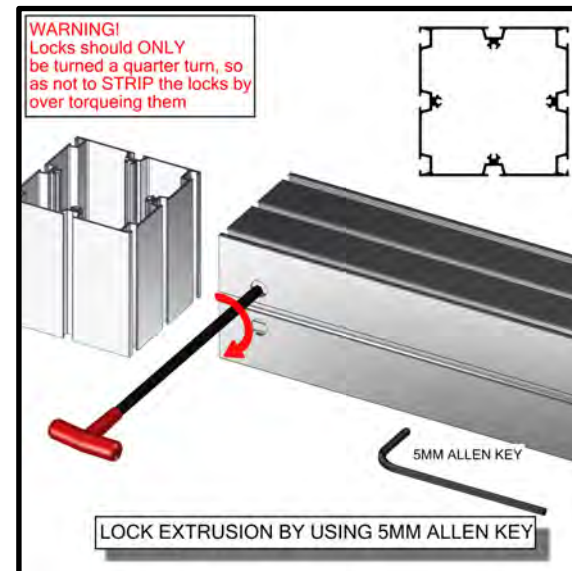
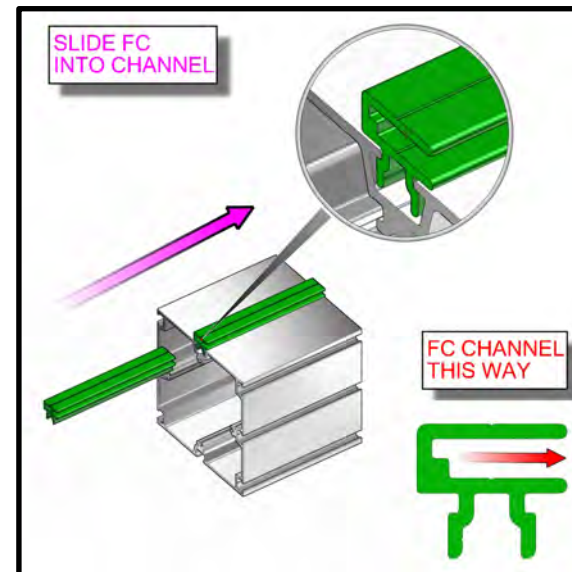
--- Wire running under carpet



**HYBRID PRO RENTAL KIT**

Title: SET-UP INSTRUCTIONS

**NOTE: MAKE SURE TO SLIDE FC EXTRUSION BEFORE**



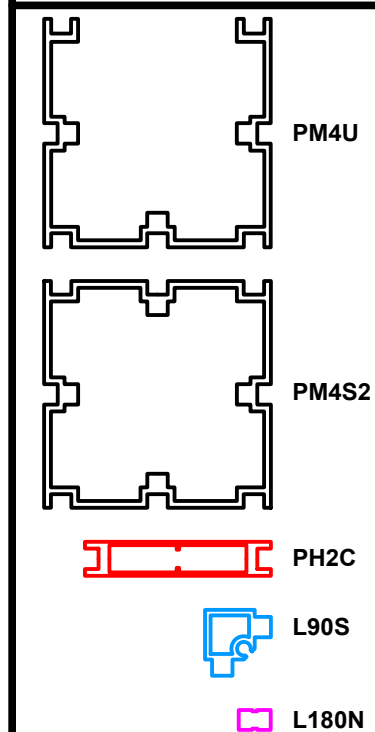
Code	#	Description
R15	4	1200MM PM4S2 SILVER EXTRUSION WITH PH2 STOPS AT 315MM BOTH ENDS
R13	4	600MM PH2 CONNECTOR WITH TENSION GLIDES
TC-30MM	8	SILVER ANODIZE FINISH 30MM TUBE CLAMP

1. Redesign of this exhibit without approval by manufacturer may result in dangerous and unsafe structures. Manufacturer disclaims any responsibility for redesigned exhibits it does not approve in writing.

2. Parts and components such as panels and extrusions are manufactured to metric sizing. Where ever possible sizes have been noted in feet and inches as well as in metric. Below is the imperial to metric sizing table as reference. \*Nominal refers to approximate size.

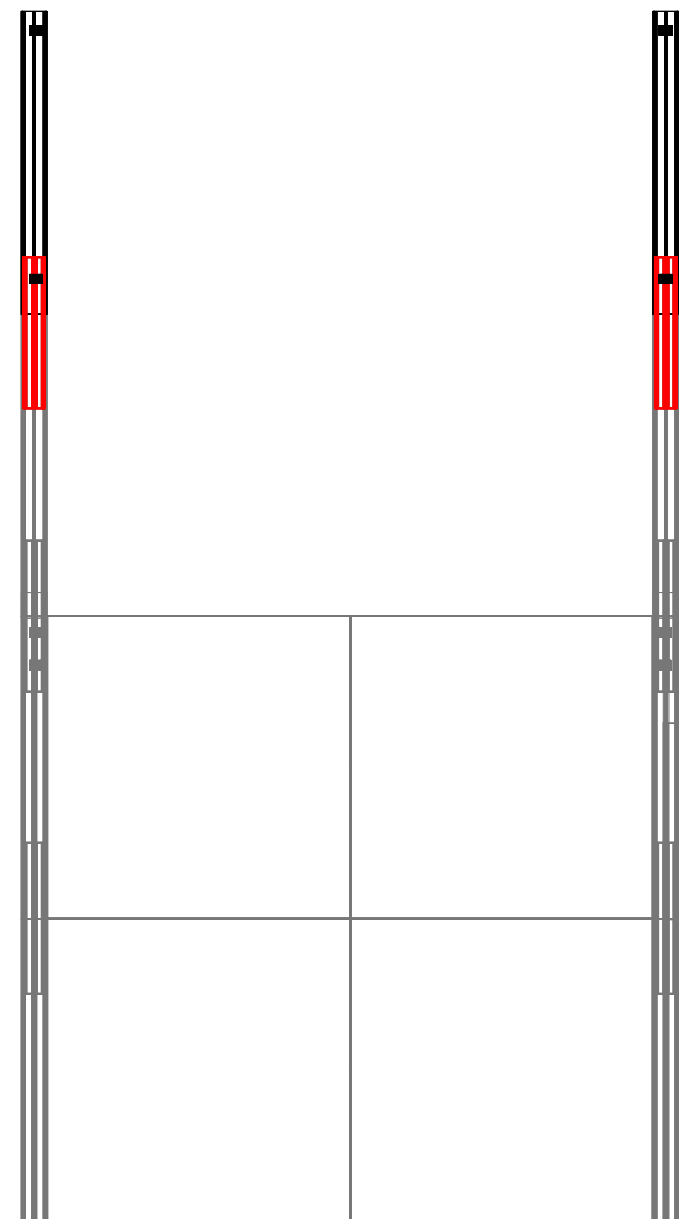
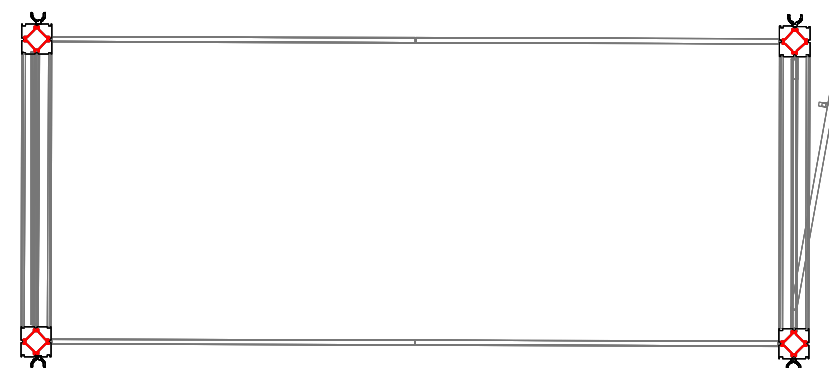
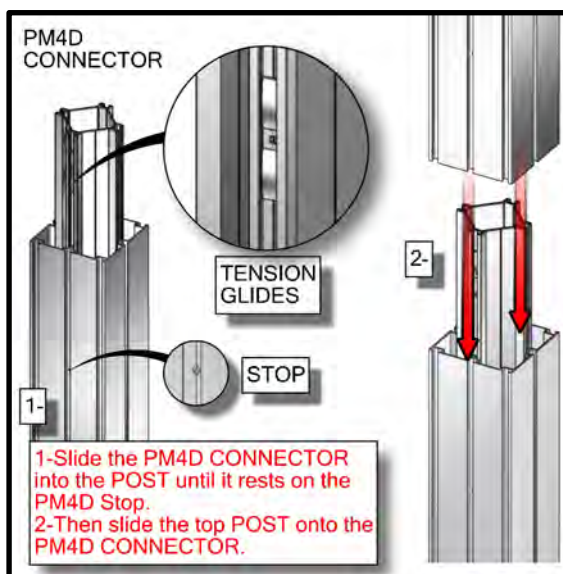
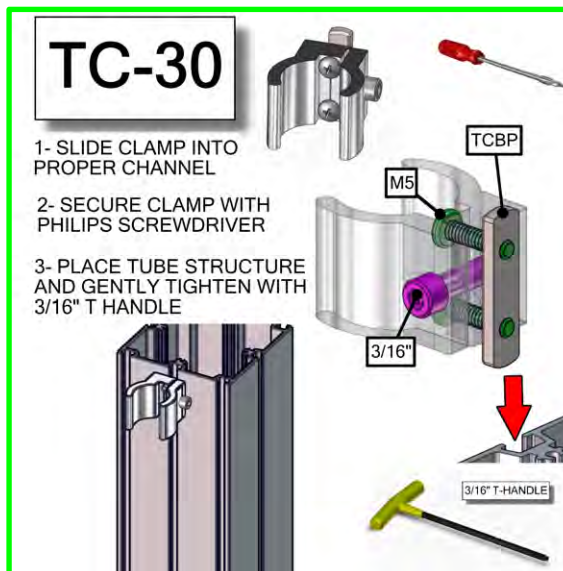
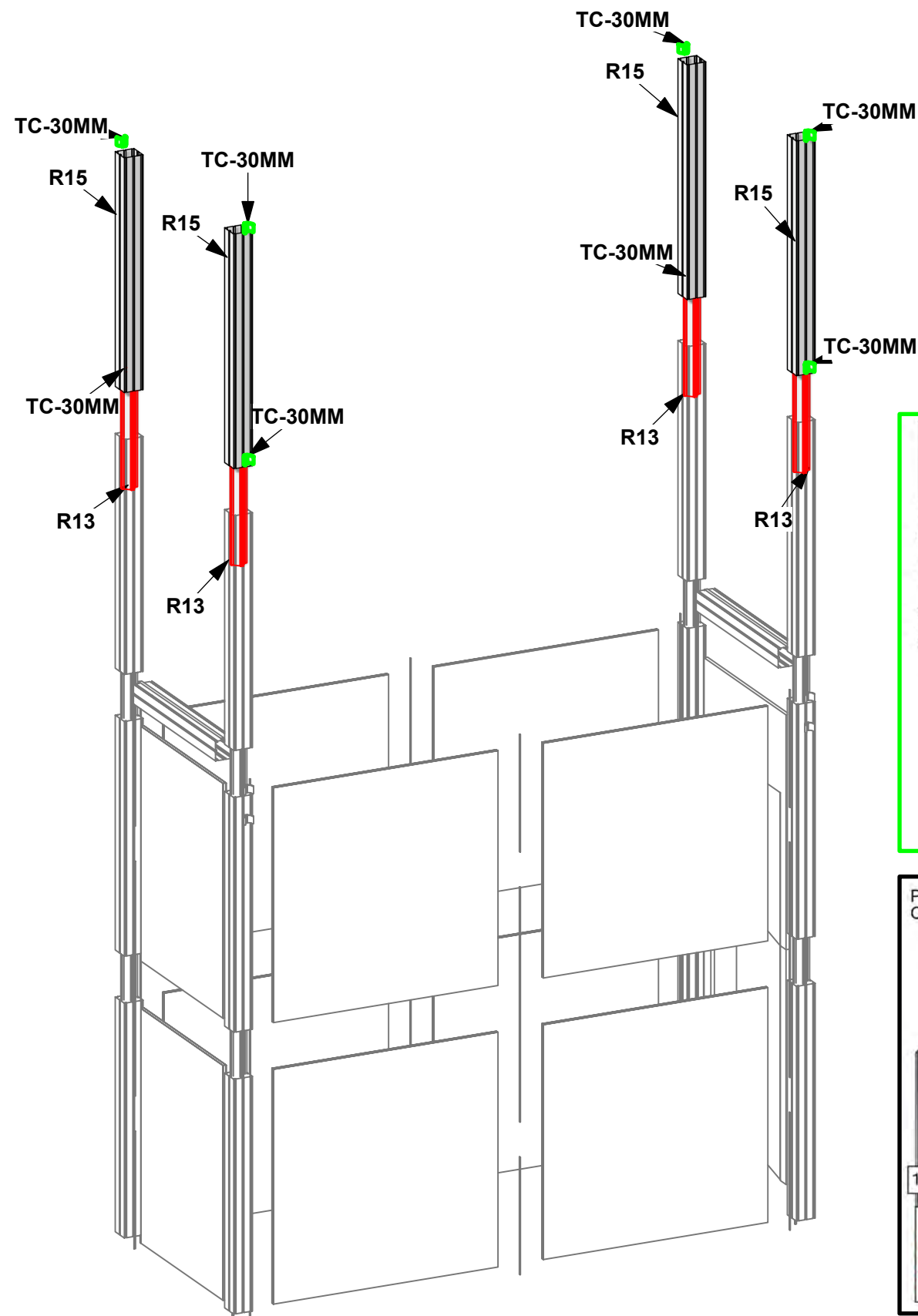
2400mm = (94 1/2")	Phone Line / Fax
2100mm = (82 5/8")	Internet connection
1800mm = (70 7/8")	Outlet
1500mm = (59")	Main Drop (point of distrution)
1200mm = (47 1/4")	
900mm = (35 1/2")	
600mm = (23 5/8")	
300mm = (11 7/8")	

--- Wire running under carpet



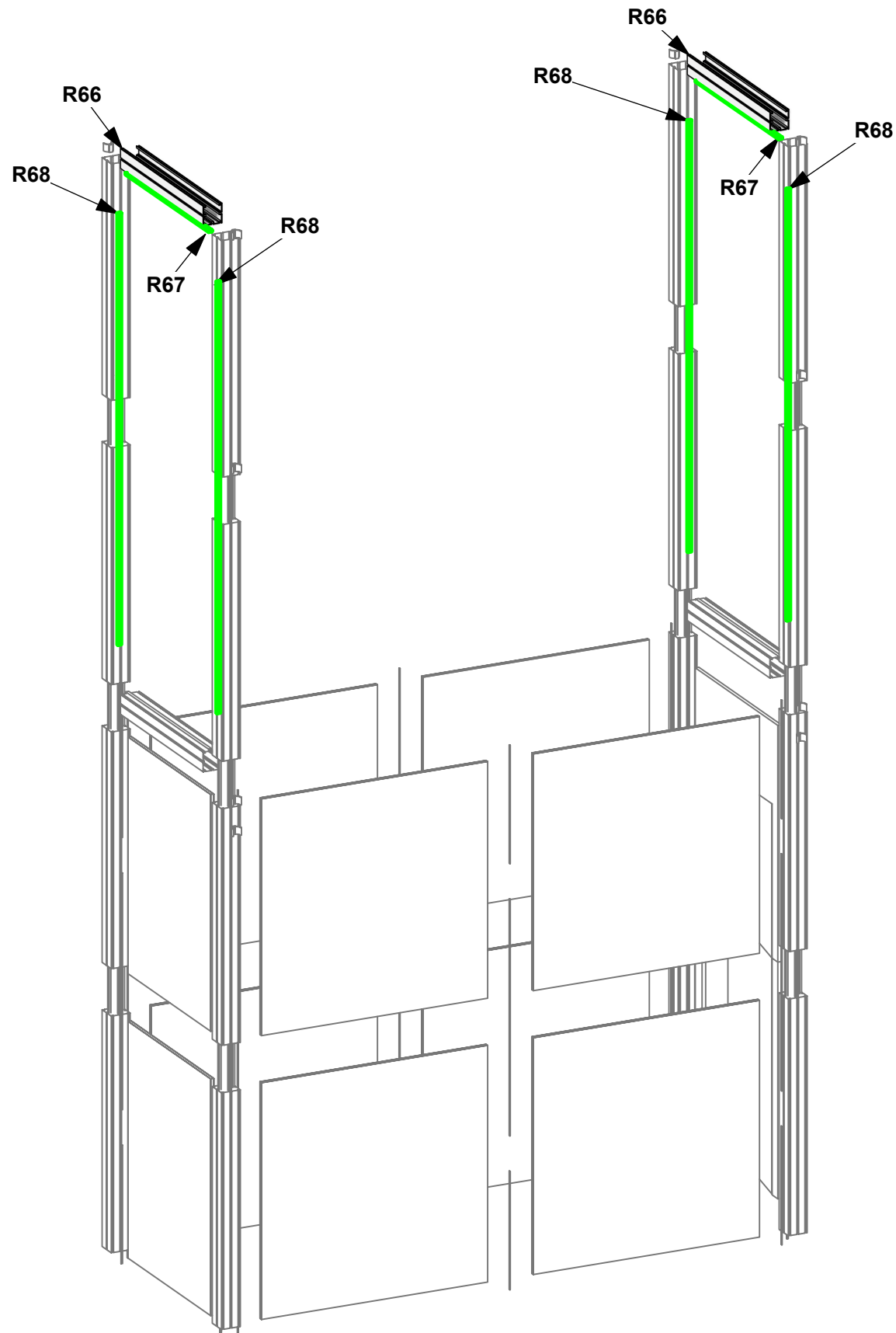
HYBRID PRO RENTAL KIT

Title: SET-UP INSTRUCTIONS

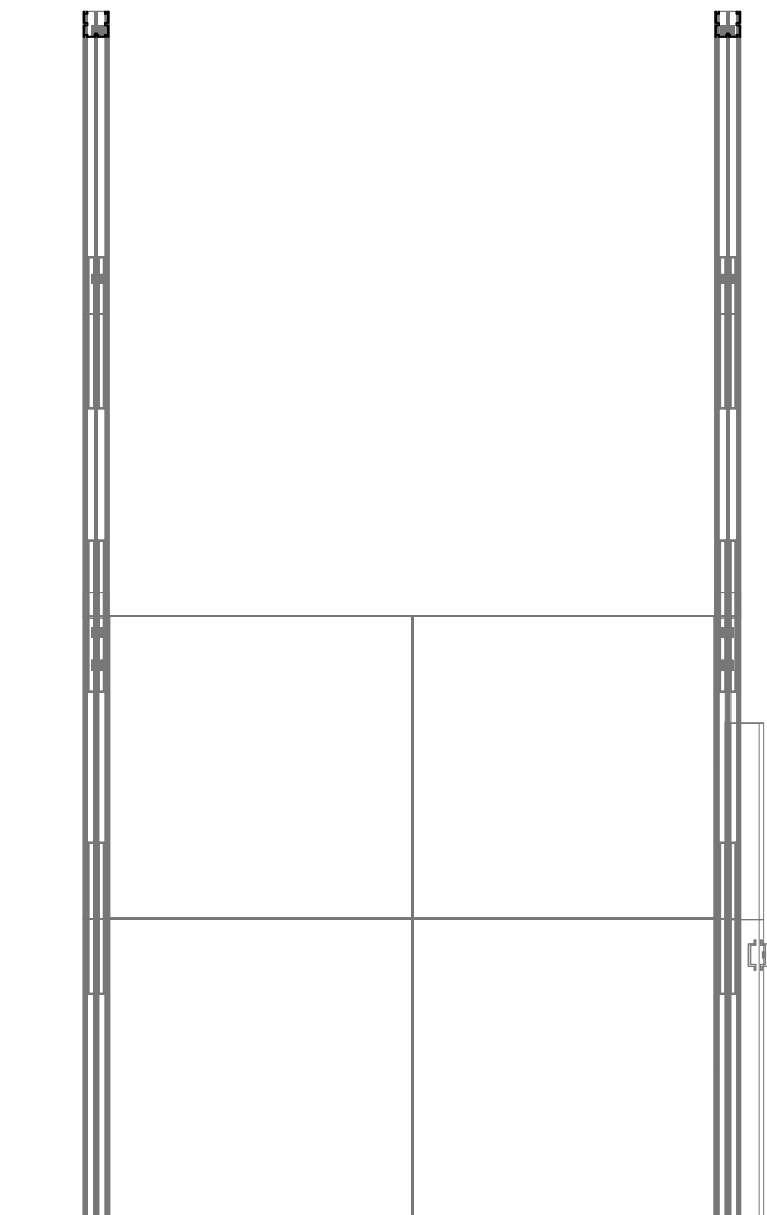
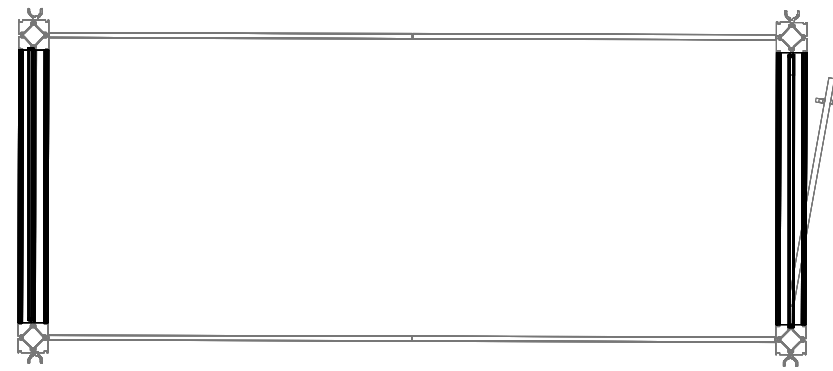
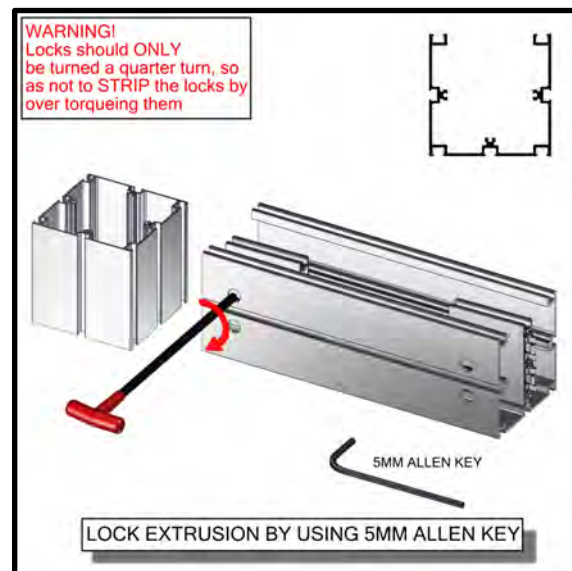
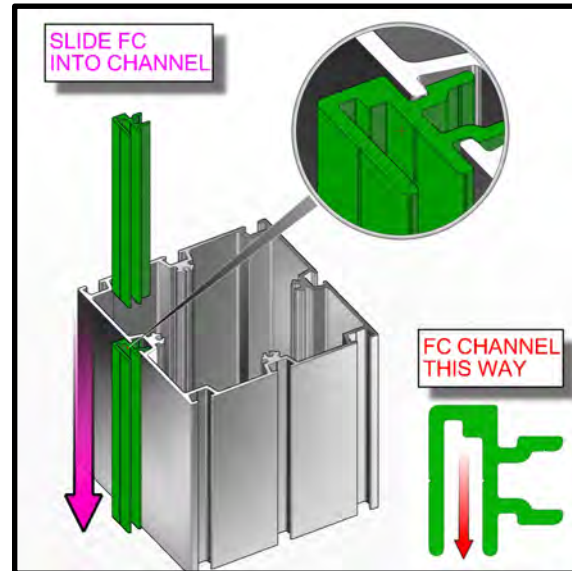




Code	#	Description
R66	2	900MM PM4U SILVER EXTRUSION WITH LOCKS BOTH ENDS
R67	2	900MM (35.43") FABRIC CONNECTION EXTRUSION WITH ROUTES
R68	4	2186MM (86.06") FABRIC CONNECTION EXTRUSION



**NOTE: MAKE SURE TO SLIDE FC EXTRUSION BEFORE**

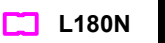
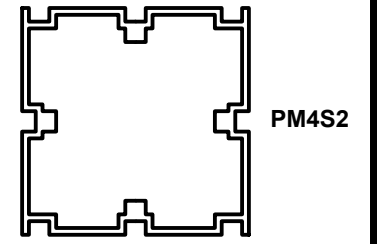
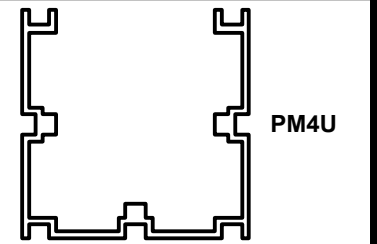


1. Redesign of this exhibit without approval by manufacturer may result in dangerous and unsafe structures. Manufacturer disclaims any responsibility for redesigned exhibits it does not approve in writing.

2. Parts and components such as panels and extrusions are manufactured to metric sizing. Where ever possible sizes have been noted in feet and inches as well as in metric. Below is the imperial to metric sizing table as reference. "Nominal" refers to approximate size.

2400mm = (94 1/2")	Phone Line / Fax
2100mm = (82 5/8")	Internet connection
1800mm = (70 7/8")	Outlet
1500mm = (59")	Main Drop (point of distrution)
1200mm = (47 1/4")	
900mm = (35 1/2")	
600mm = (23 5/8")	
300mm = (11 7/8")	

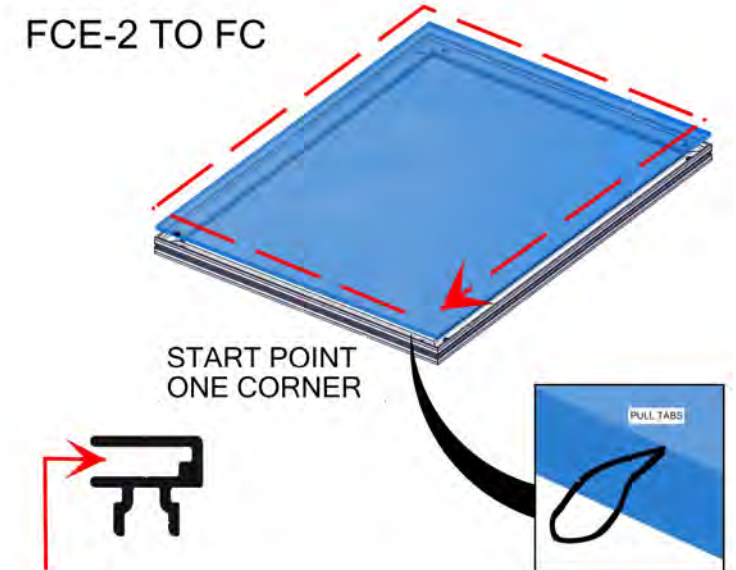
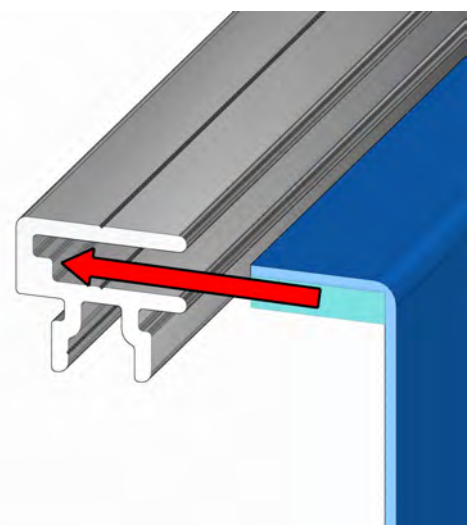
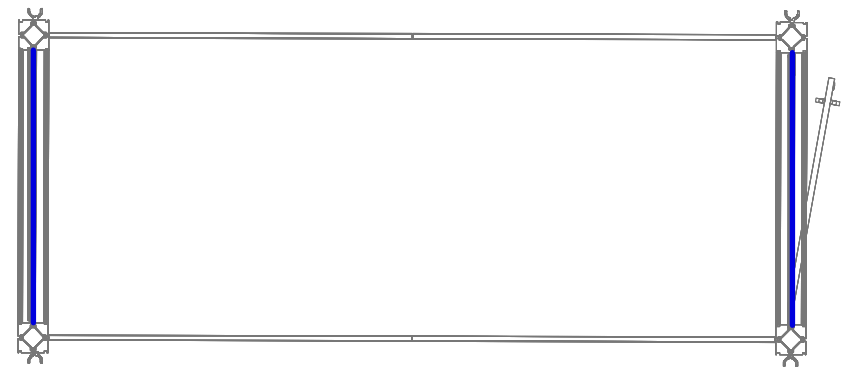
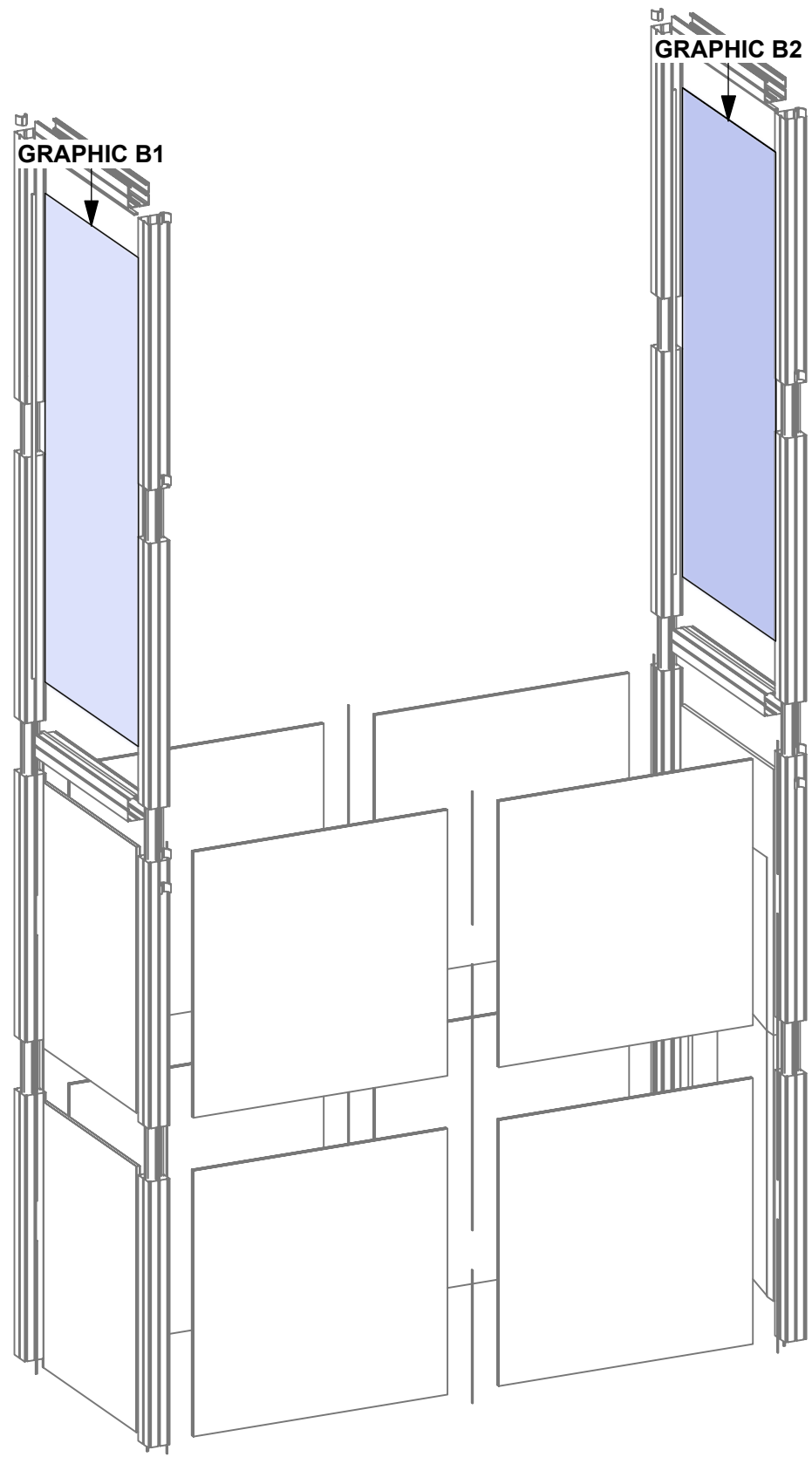
--- Wire running under carpet



**HYBRID PRO RENTAL KIT**

Title: SET-UP INSTRUCTIONS

Code	#	Description
GRAPHIC B1	1	86 10/16" (H) X 35 7/8" (W) SINGLE SIDED DYESUB GRAPHIC WITH FCE-2
GRAPHIC B2	1	86 10/16" (H) X 35 7/8" (W) SINGLE SIDED DYESUB GRAPHIC WITH FCE-2



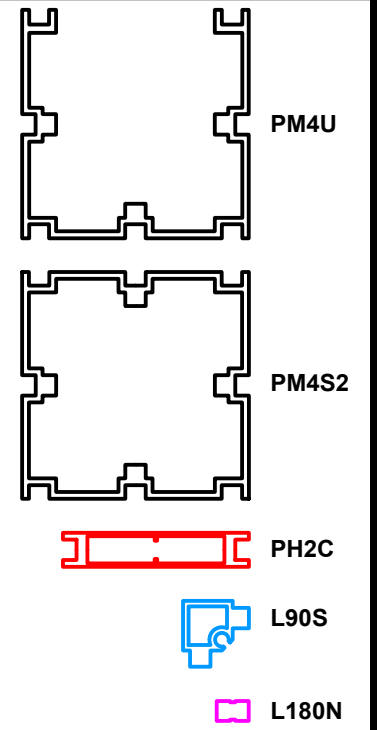
Install graphic by pressing the FCE-2 into the channels of FC extrusion. To pull graphics out of the channels, use tabs on the front side

1. Redesign of this exhibit without approval by manufacturer may result in dangerous and unsafe structures. Manufacturer disclaims any responsibility for redesigned exhibits it does not approve in writing.

2. Parts and components such as panels and extrusions are manufactured to metric sizing. Where ever possible sizes have been noted in feet and inches as well as in metric. Below is the imperial to metric sizing table as reference. "Nominal" refers to approximate size.

2400mm = (94 1/2")	Phone Line / Fax
2100mm = (82 5/8")	Internet connection
1800mm = (70 7/8")	Outlet
1500mm = (59")	Main Drop (point of distrution)
1200mm = (47 1/4")	
900mm = (35 1/2")	
600mm = (23 5/8")	
300mm = (11 7/8")	

--- Wire running under carpet



HYBRID PRO RENTAL KIT

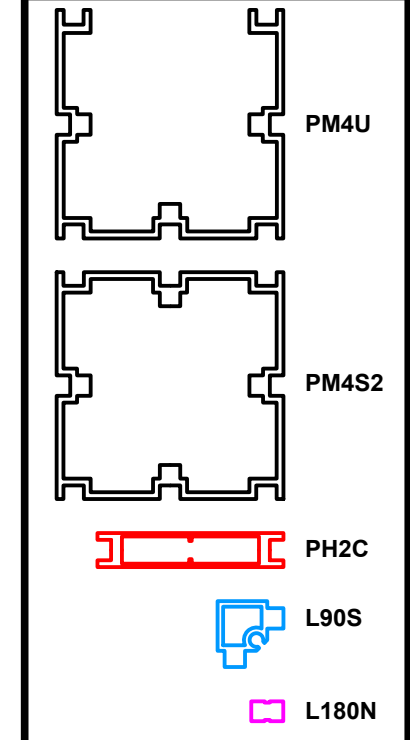
Title: SET-UP INSTRUCTIONS

Code	#	Description
CFS	1	(A) 8' L X 4' H CURVE BANNER W/ GRAPHIC I
CFS	1	(A2) 8' L X 4' H CURVE BANNER W/ GRAPHIC H

1. Redesign of this exhibit without approval by manufacturer may result in dangerous and unsafe structures. Manufacturer disclaims any responsibility for redesigned exhibits it does not approve in writing.

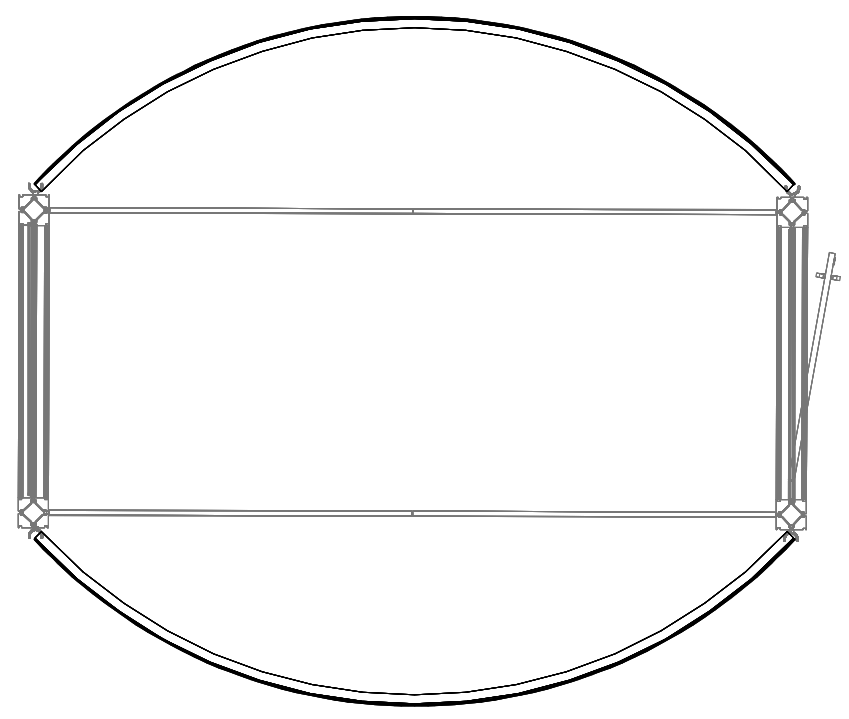
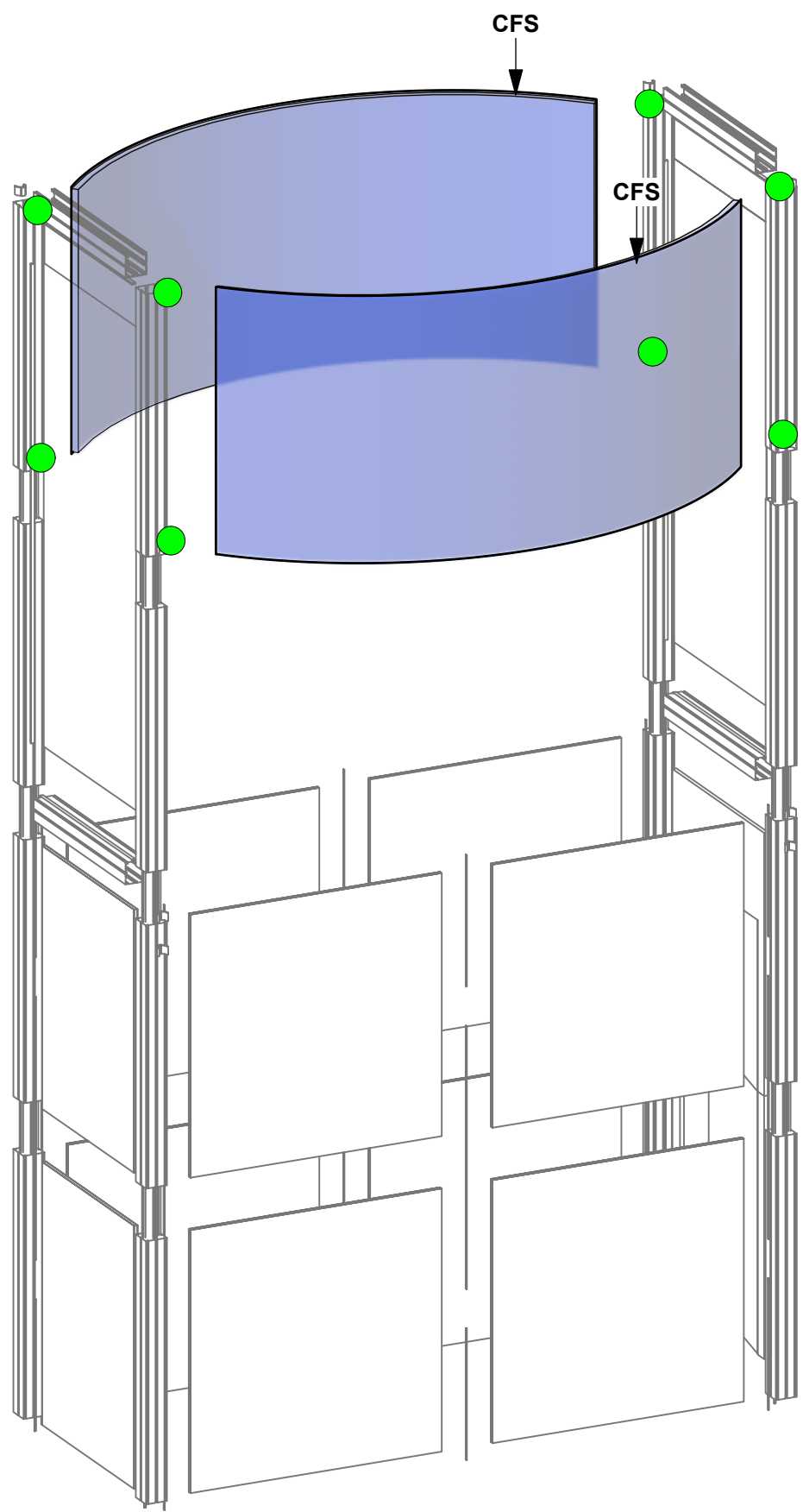
2. Parts and components such as panels and extrusions are manufactured to metric sizing. Where ever possible sizes have been noted in feet and inches as well as in metric. Below is the imperial to metric sizing table as reference. "Nominal" refers to approximate size.

- 2400mm = (94 1/2")
  - 2100mm = (82 5/8")
  - 1800mm = (70 7/8")
  - 1500mm = (59")
  - 1200mm = (47 1/4")
  - 900mm = (35 1/2")
  - 600mm = (23 5/8")
  - 300mm = (11 7/8")
- Phone Line / Fax
  - Internet connection
  - Outlet
  - Main Drop (point of distrution)
- Wire running under carpet ---



**HYBRID PRO RENTAL KIT**

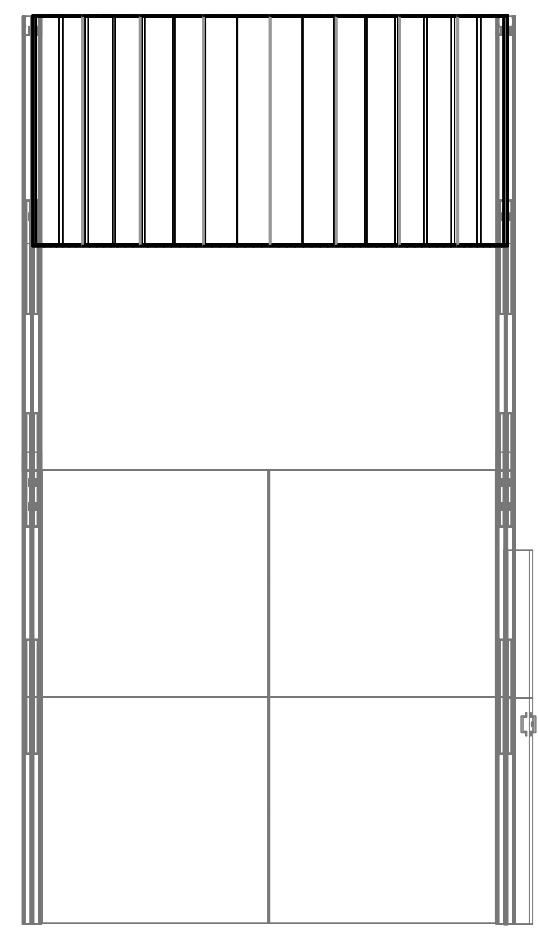
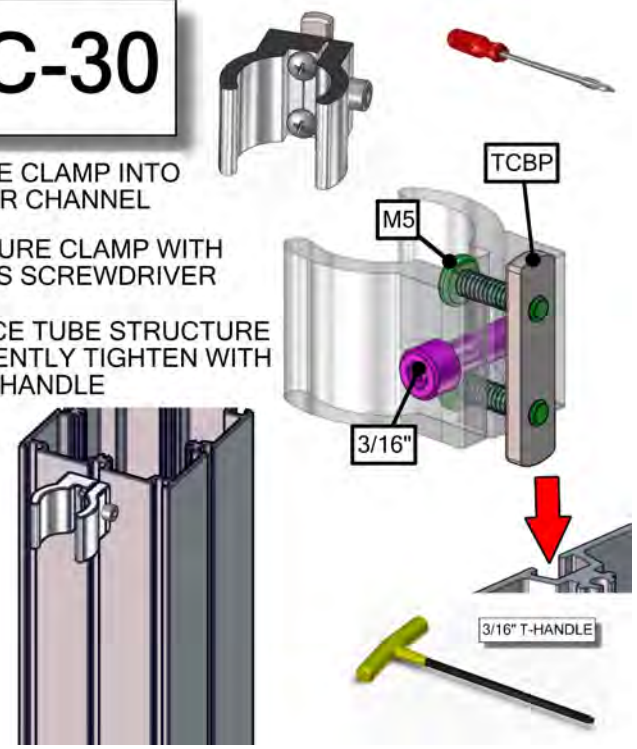
Title: SET-UP INSTRUCTIONS



PLEASE SEE THE NEXT PAGE FOR DETAILED SETUP INSTRUCTIONS

**TC-30**

- 1- SLIDE CLAMP INTO PROPER CHANNEL
- 2- SECURE CLAMP WITH PHILIPS SCREWDRIVER
- 3- PLACE TUBE STRUCTURE AND GENTLY TIGHTEN WITH 3/16" T HANDLE



Code	#	Description
CFS	1	(A) 8' L X 4' H CURVE BANNER W/ GRAPHIC I
CFS	1	(A2) 8' L X 4' H CURVE BANNER W/ GRAPHIC H

**SET UP INSTRUCTIONS:**

1. CONNECT BOTTOM AND TOP RAILS FOLLOWING THE LABELS
2. CONNECT SIDE RAILS
3. CLEAN THE FRAME AND PLACE THEM ON CLEAN PLACE
4. CAREFULLY REMOVE FABRIC COVER FROM BAGS
5. PLACE COVER AROUND THE BOTTOM OF THE FRAME
6. PULL COVER CAREFULLY UP TO THE TOP
7. CLOSE ALL ZIPPERS
8. ADJUST FABRIC AROUND THE FRAME

**BREAK DOWN INSTRUCTIONS:**

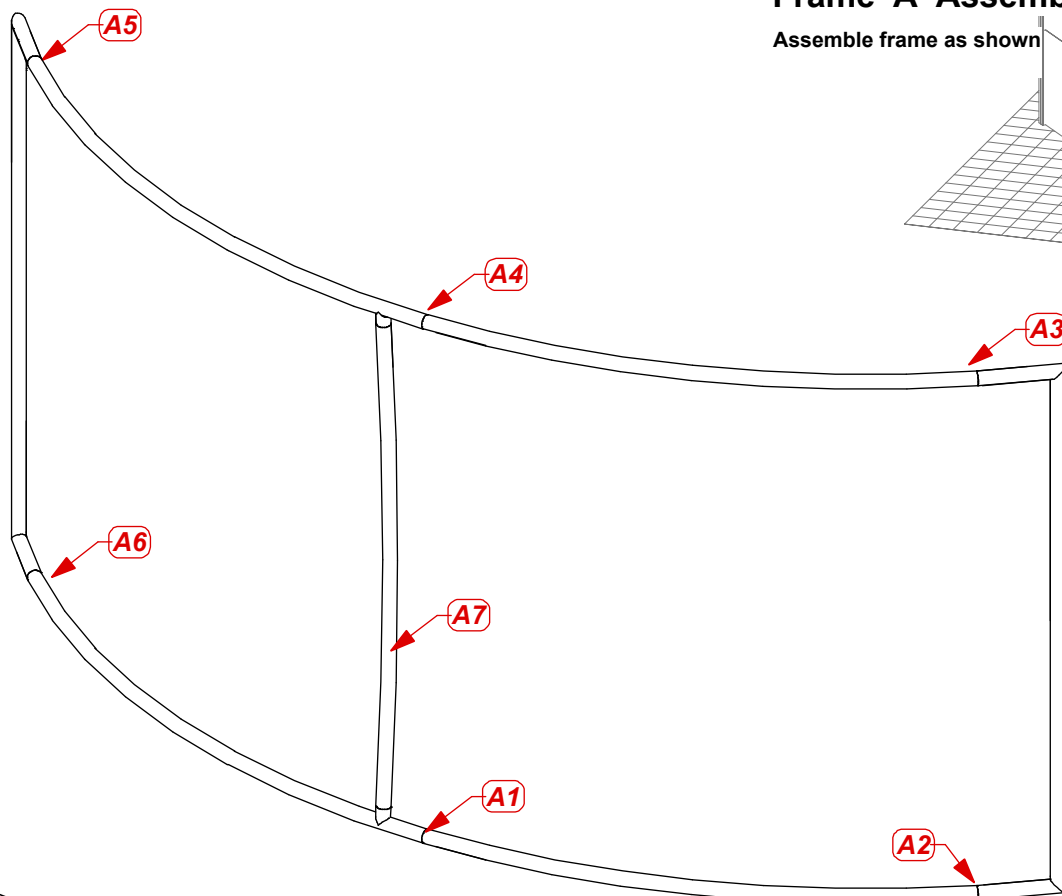
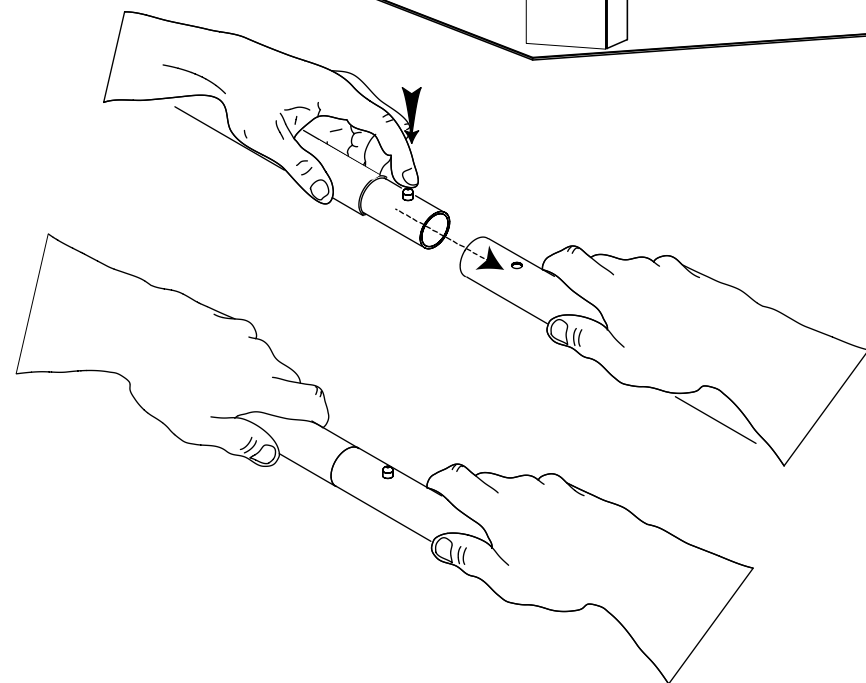
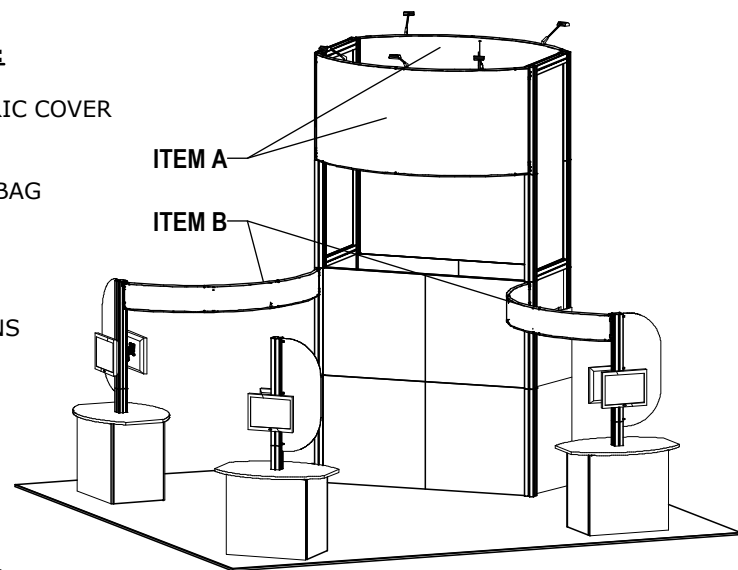
REVERSE SET-UP STEPS TO BREAKDOWN FRAME

**FABRIC CARE INSTRUCTIONS:**

1. UNZIP COVER ZIPPERS
2. CAREFULLY REMOVE FABRIC COVER
3. CLOSE ALL ZIPPERS
4. FOLD OR ROLL NEATLY
5. PLACE FABRIC IN COVER BAG

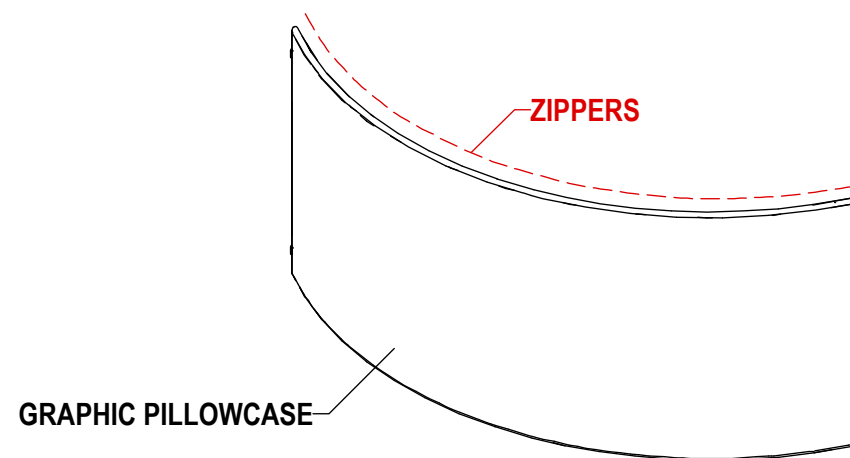
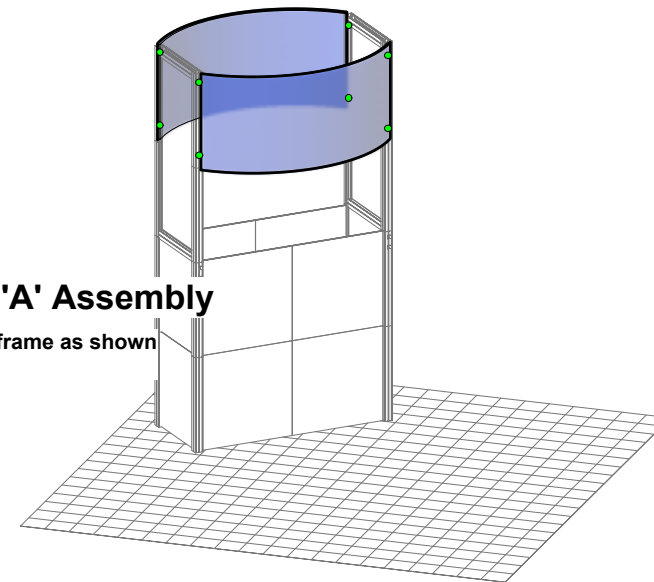
**PART LIST:**

- PER UNIT
- 7 30MM DIA. TUBE SECTIONS
  - 4 TC-30 CLAMPS
  - 1 FABRIC COVER



**Frame 'A' Assembly**

Assemble frame as shown

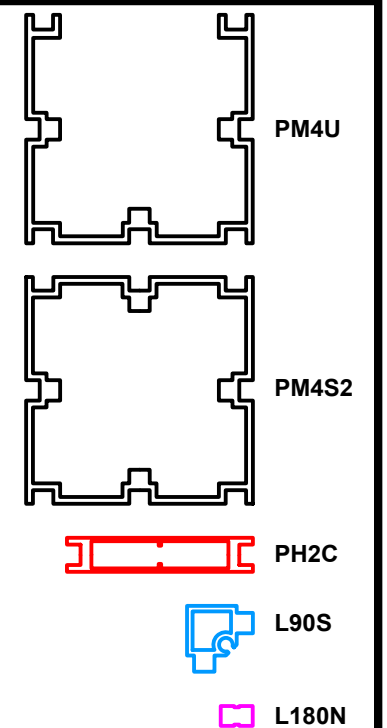


1. Redesign of this exhibit without approval by manufacturer may result in dangerous and unsafe structures. Manufacturer disclaims any responsibility for redesigned exhibits it does not approve in writing.

2. Parts and components such as panels and extrusions are manufactured to metric sizing. Where ever possible sizes have been noted in feet and inches as well as in metric. Below is the imperial to metric sizing table as reference. "Nominal" refers to approximate size.

2400mm = (94 1/2")	☎ Phone Line / Fax
2100mm = (82 5/8")	🌐 Internet connection
1800mm = (70 7/8")	🔌 Outlet
1500mm = (59")	⚡ Main Drop (point of distrution)
1200mm = (47 1/4")	
900mm = (35 1/2")	
600mm = (23 5/8")	
300mm = (11 7/8")	

--- Wire running under carpet

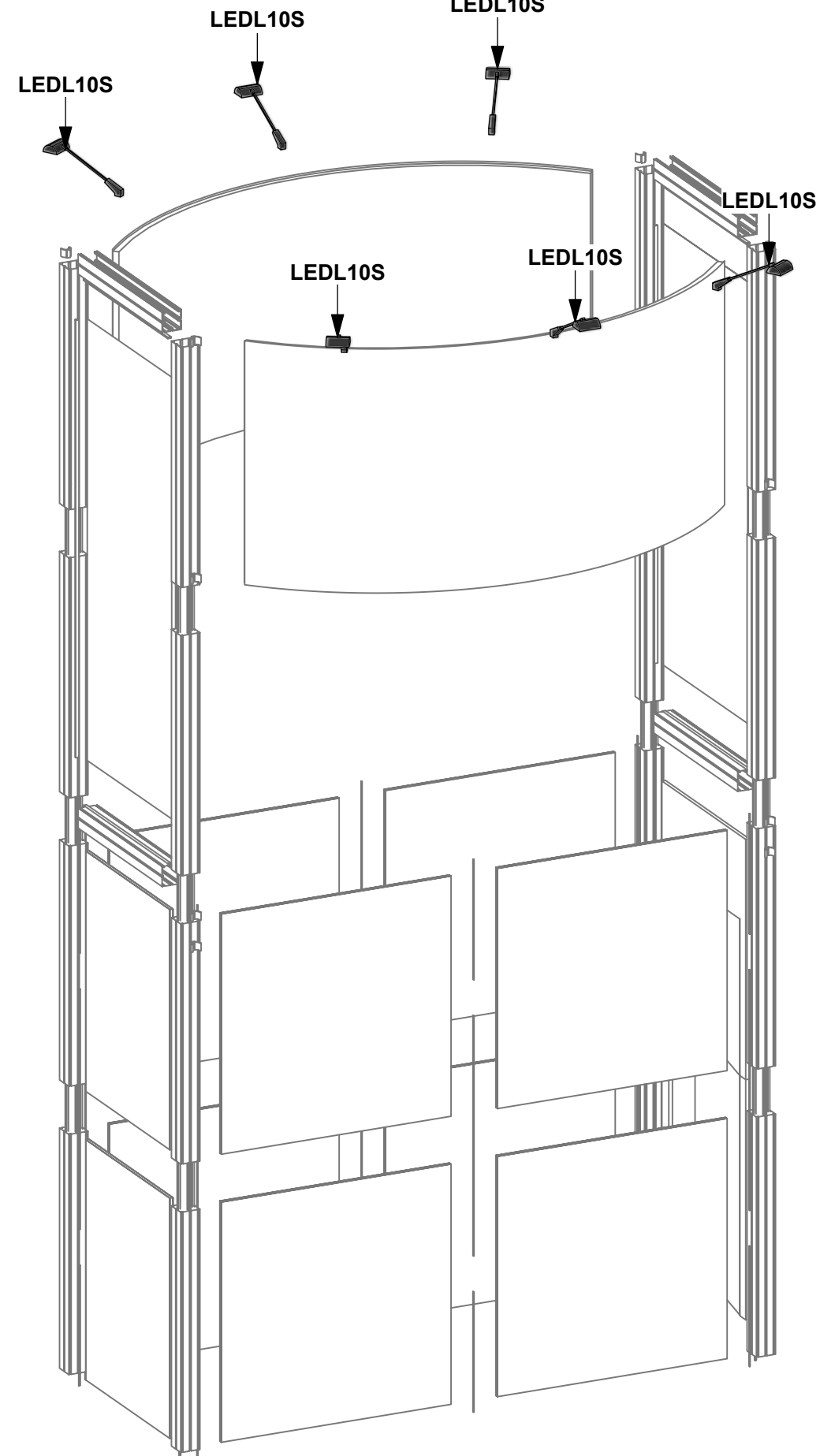


HYBRID PRO RENTAL KIT

Title: SET-UP INSTRUCTIONS

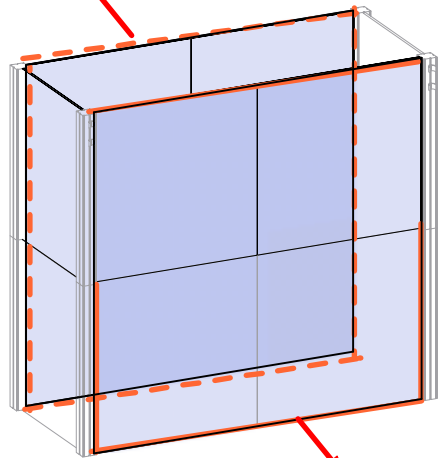


Code	#	Description
LEDL10S	6	LED SPOTLIGHT,3M,UL PLUG W/TRANSFORMER SILVER

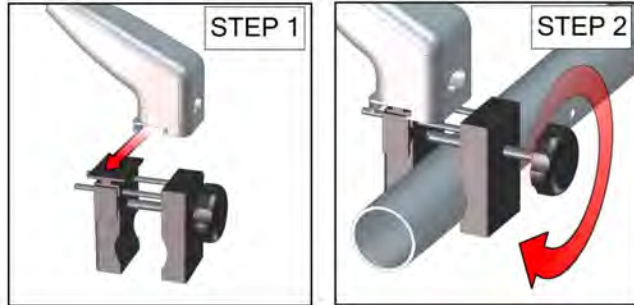


**NOTE:**  
IF OPTIONAL GRAPHICS  
ATTACH FABRIC GRAPHICS  
WITH VELCRO ON THE BACKSIDE

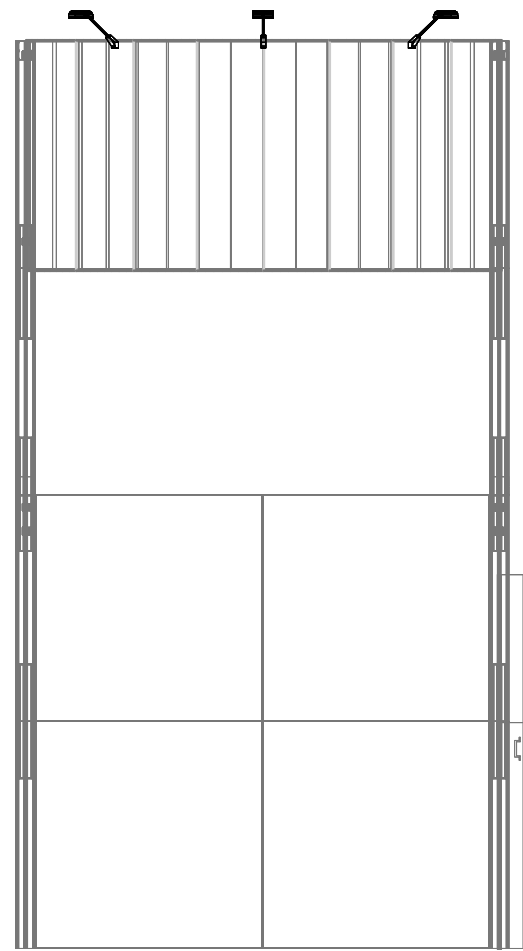
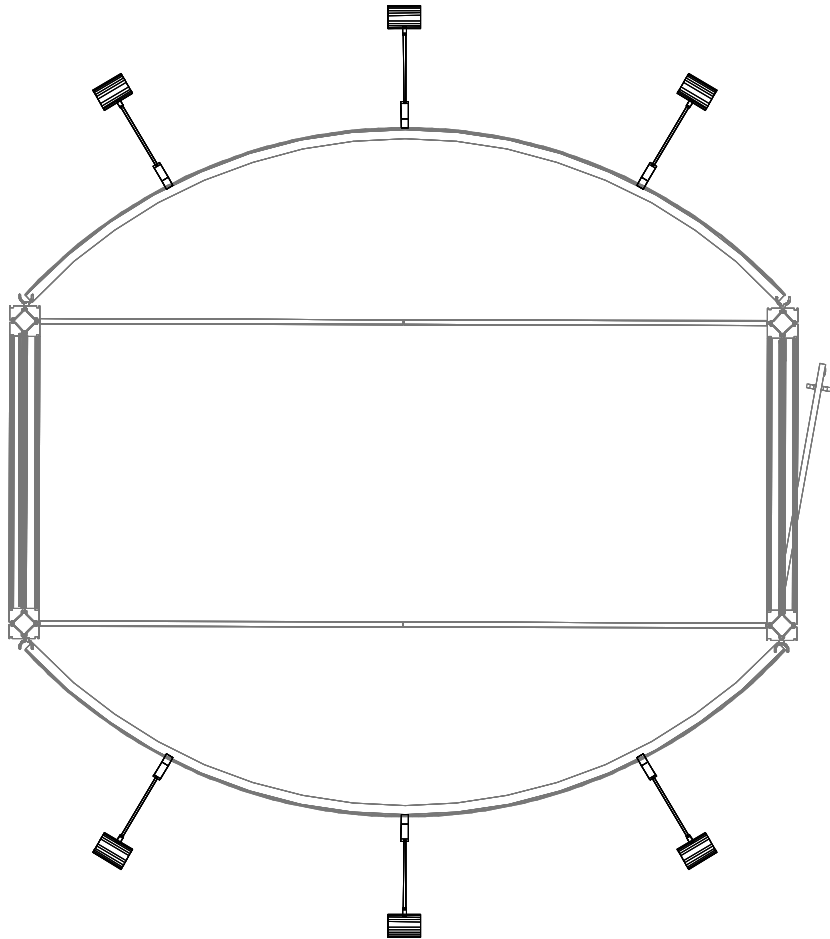
**BACK  
GRAPHIC**



**FRONT  
GRAPHIC**



1- Slide light onto UNIVERSAL CLAMP  
2-Then attach Light on top of the frame.  
Up to 30mm

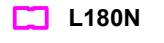
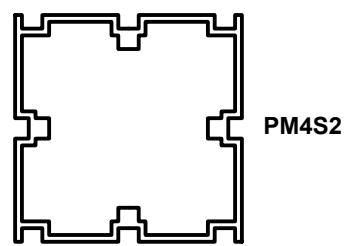
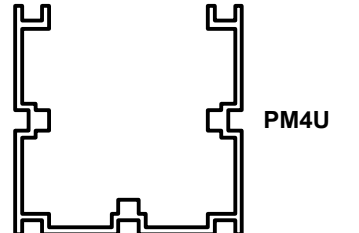


1. Redesign of this exhibit without approval by manufacturer may result in dangerous and unsafe structures. Manufacturer disclaims any responsibility for redesigned exhibits it does not approve in writing.

2. Parts and components such as panels and extrusions are manufactured to metric sizing. Where ever possible sizes have been noted in feet and inches as well as in metric. Below is the imperial to metric sizing table as reference. "Nominal" refers to approximate size.

2400mm = (94 1/2")	Phone Line / Fax
2100mm = (82 5/8")	Internet connection
1800mm = (70 7/8")	Outlet
1500mm = (59")	Main Drop (point of distrution)
1200mm = (47 1/4")	
900mm = (35 1/2")	
600mm = (23 5/8")	
300mm = (11 7/8")	

--- Wire running under carpet



**HYBRID PRO RENTAL KIT**

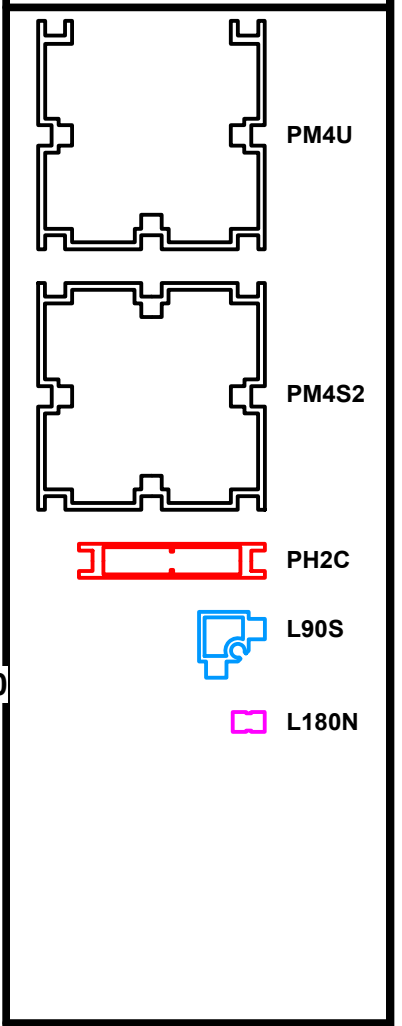
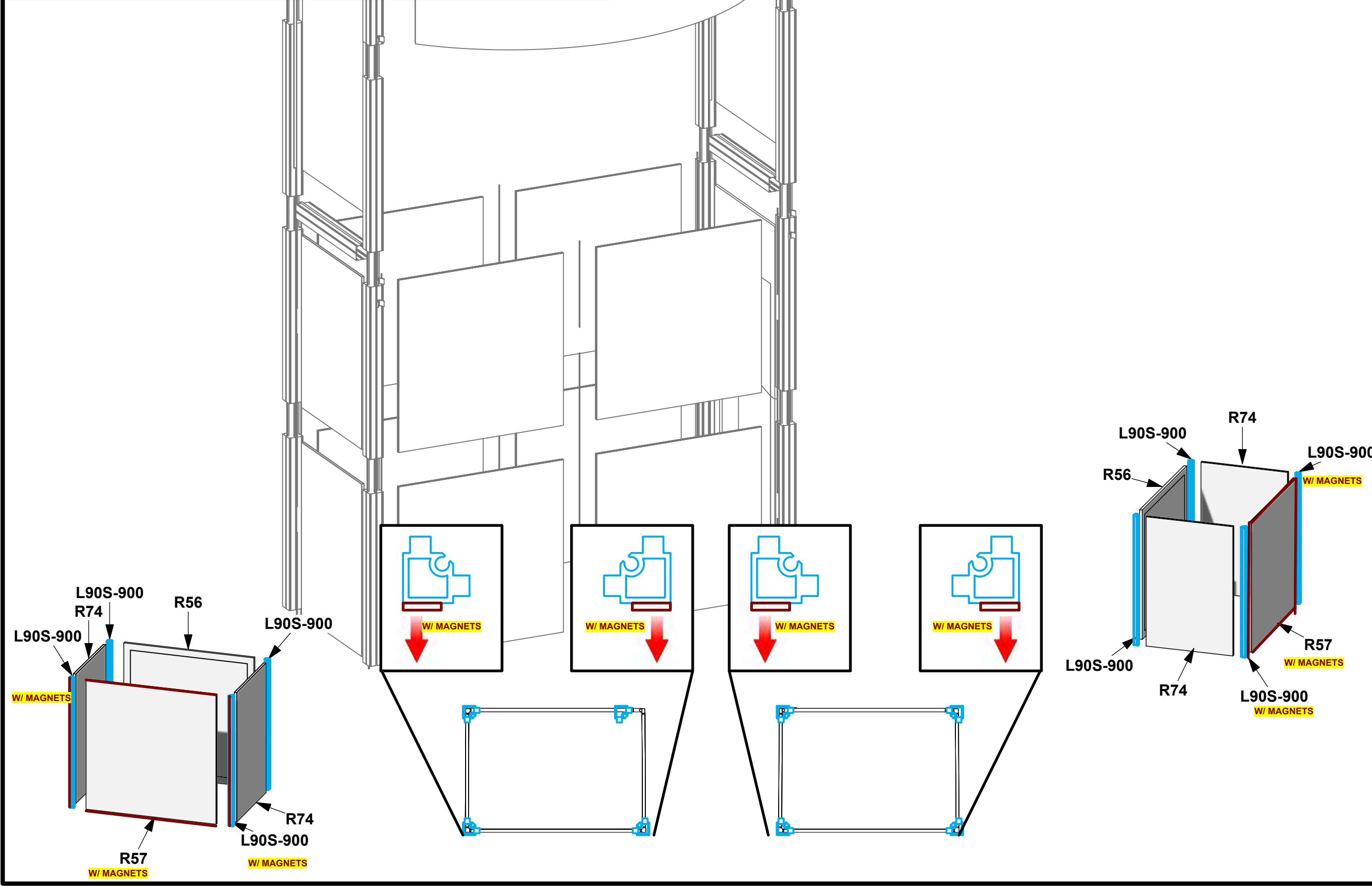
Title: SET-UP INSTRUCTIONS

Code	#	Description
R57	2	900MM V x 900MM W LAMINATE PANEL
R74	4	900MM V x 600MM W LAMINATE PANEL
L90S-900	8	900MM 90 DEGREE SILVER LINK EXTRUSION
R56	2	900MM W x 900MM V LAMINATE CABINET DOOR PANEL

1. Redesign of this exhibit without approval by manufacturer may result in dangerous and unsafe structures. Manufacturer disclaims any responsibility for redesigned exhibits it does not approve in writing.

2. Parts and components such as panels and extrusions are manufactured to metric sizing. Where ever possible sizes have been noted in feet and inches as well as in metric. Below is the imperial to metric sizing table as reference. "Nominal" refers to approximate size.

- 2400mm = (94 1/2")
  - 2100mm = (82 5/8")
  - 1800mm = (70 7/8")
  - 1500mm = (59")
  - 1200mm = (47 1/4")
  - 900mm = (35 1/2")
  - 600mm = (23 5/8")
  - 300mm = (11 7/8")
- ☒ Phone Line / Fax
  - ☒ Internet connection
  - ☒ Outlet
  - ☒ Main Drop (point of distrution)
- Wire running under carpet



**HYBRID PRO RENTAL KIT**

Title: SET-UP INSTRUCTIONS

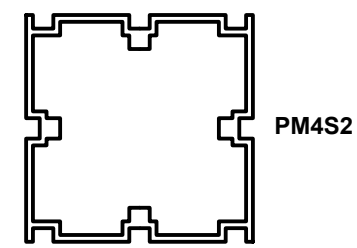
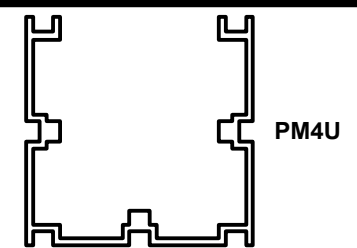
Code	#	Description
CT-54L	2	5' X 4' LAMINATE COUNTER TOP
R114	2	1200MM PM4S2 WITH SET SCREW AT 305MM BOTH ENDS WIRE HOLE @ BOTTOM
PM4BP1	2	15 3/4" X 9 7/8" ALUMINUM BASE PLATE
INTERNAL SH	2	BLACK INTERNAL SHELF
SS1	8	SHELF SUPPORT PIN (SILVER)

1. Redesign of this exhibit without approval by manufacturer may result in dangerous and unsafe structures. Manufacturer disclaims any responsibility for redesigned exhibits it does not approve in writing.

2. Parts and components such as panels and extrusions are manufactured to metric sizing. Where ever possible sizes have been noted in feet and inches as well as in metric. Below is the imperial to metric sizing table as reference. "Nominal" refers to approximate size.

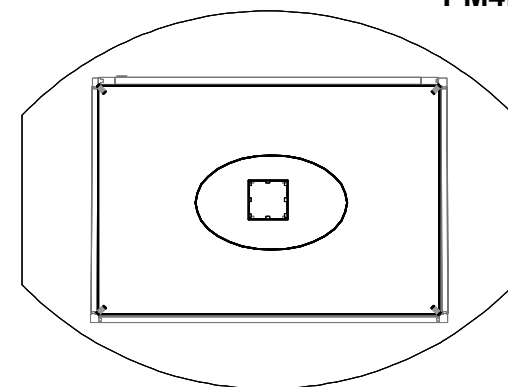
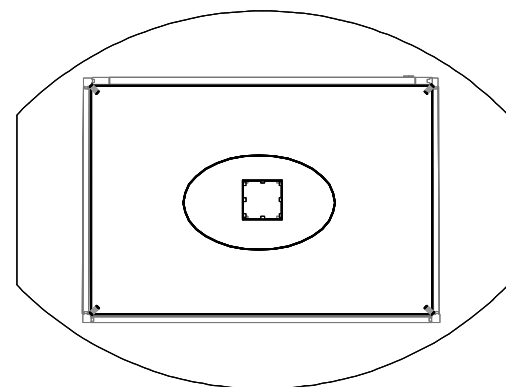
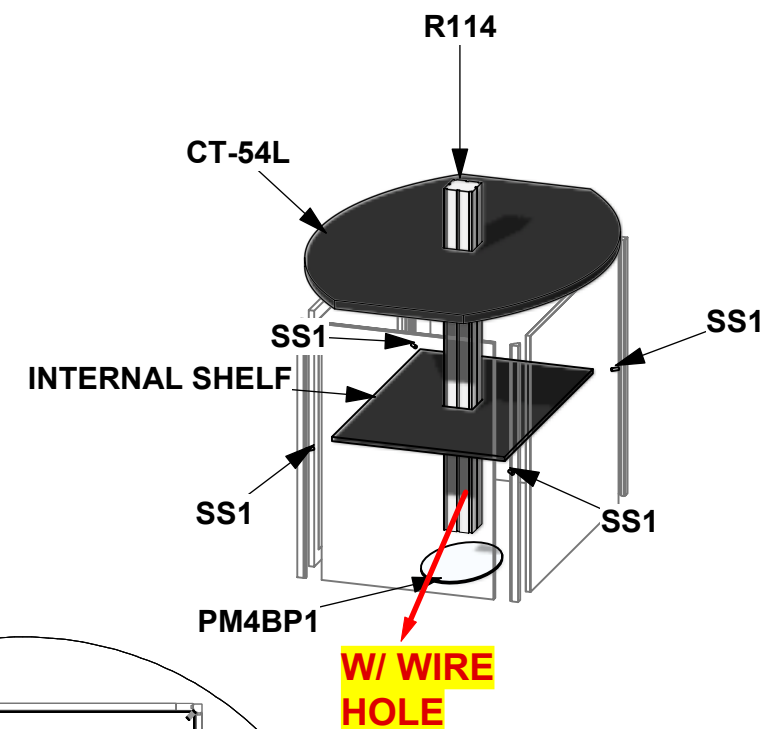
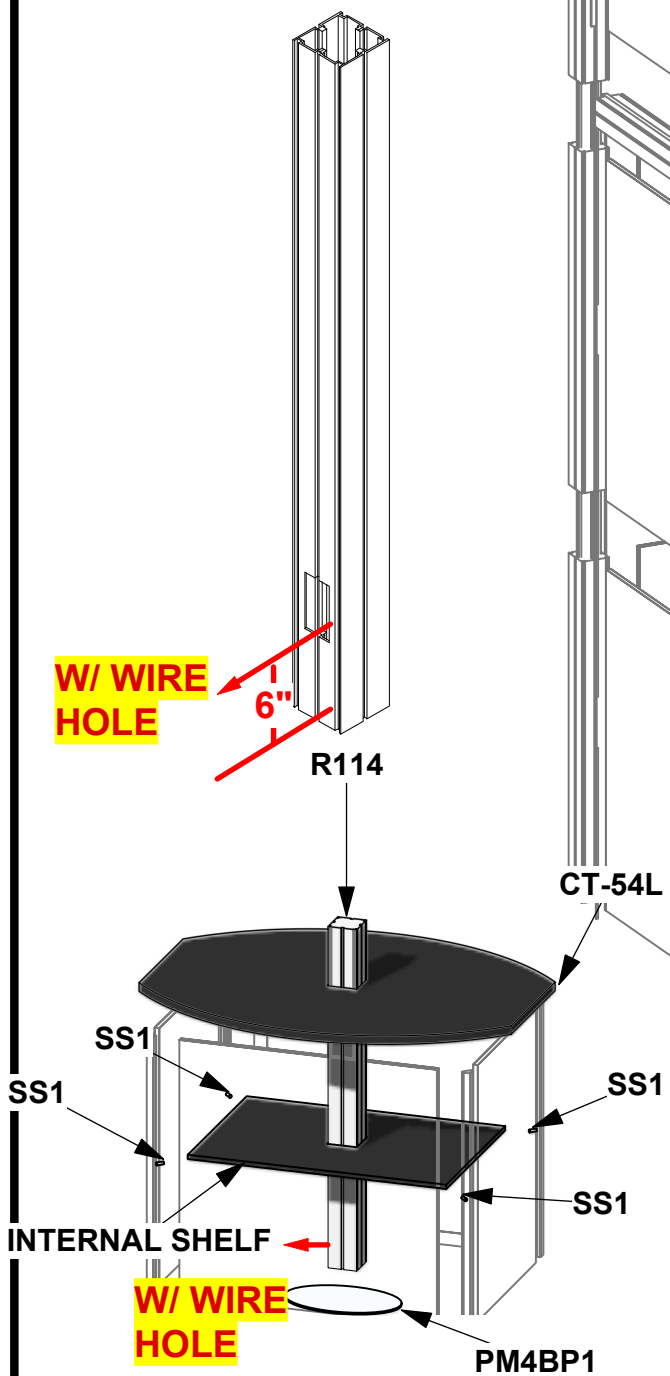
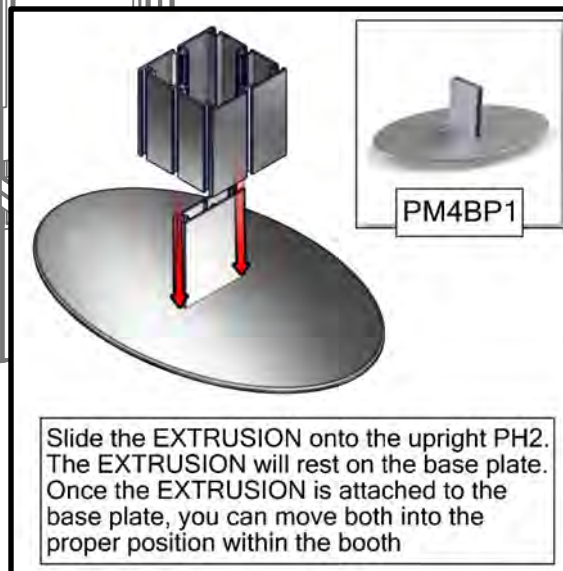
2400mm = (94 1/2")	Phone Line / Fax
2100mm = (82 5/8")	Internet connection
1800mm = (70 7/8")	Outlet
1500mm = (59")	Main Drop (point of distrution)
1200mm = (47 1/4")	
900mm = (35 1/2")	
600mm = (23 5/8")	
300mm = (11 7/8")	

--- Wire running under carpet



HYBRID PRO RENTAL KIT

Title: SET-UP INSTRUCTIONS



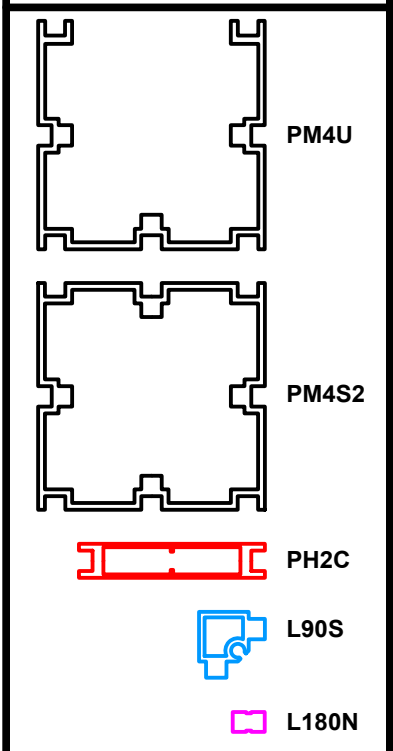
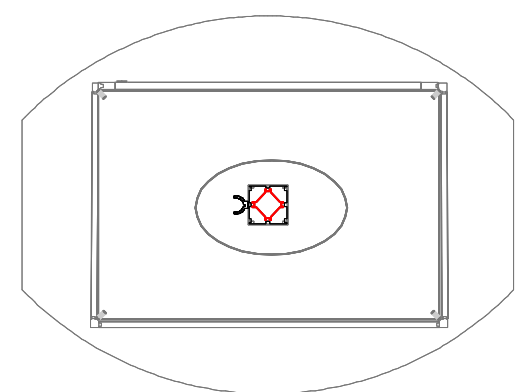
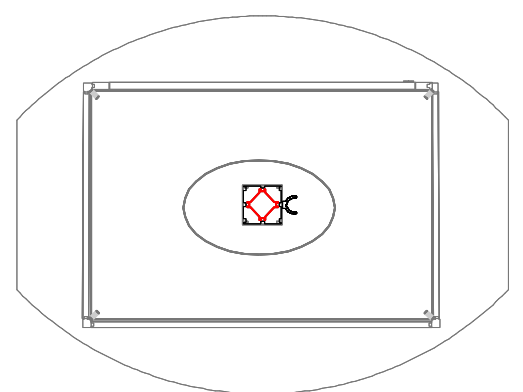
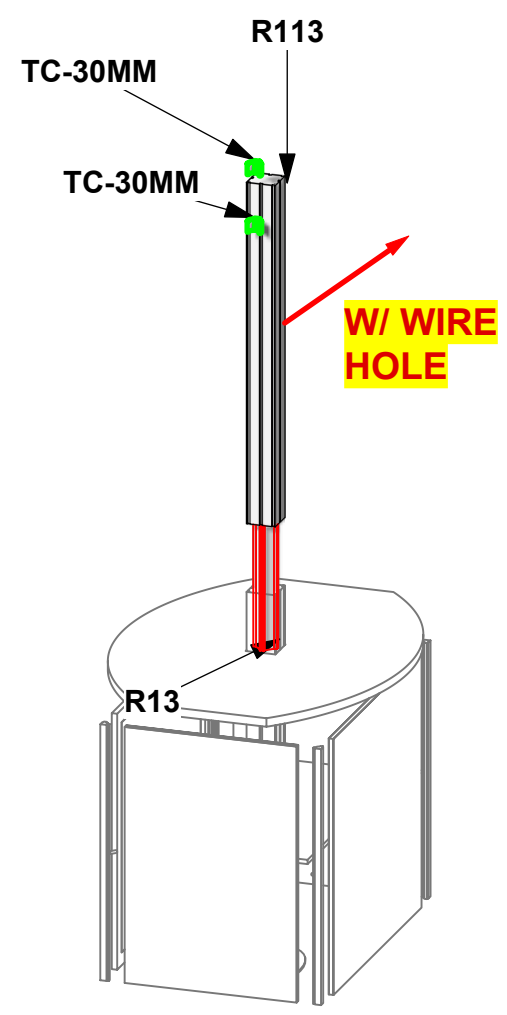
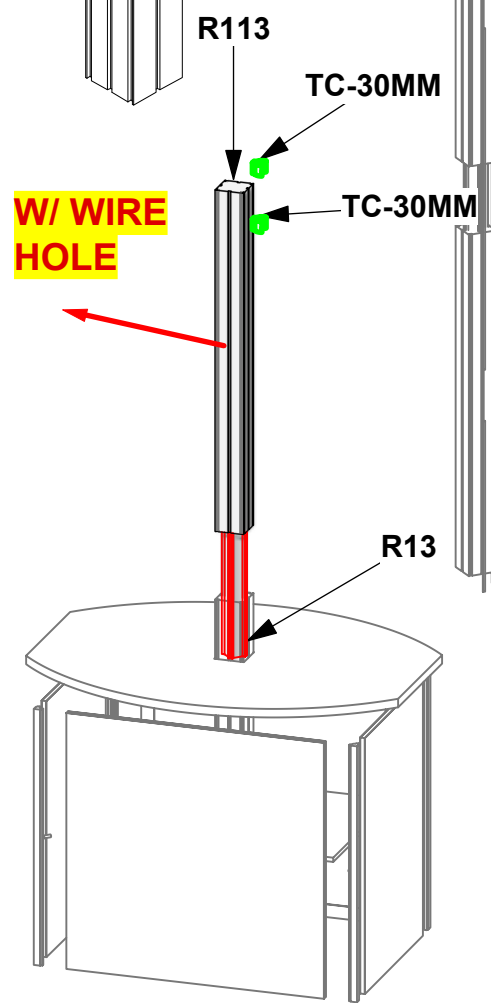
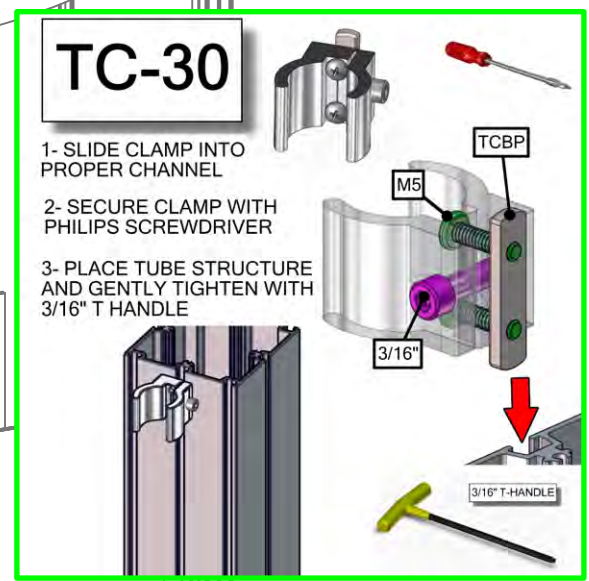
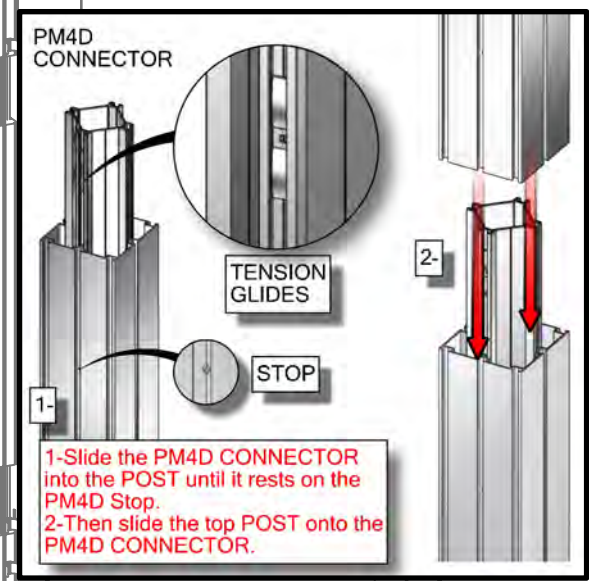
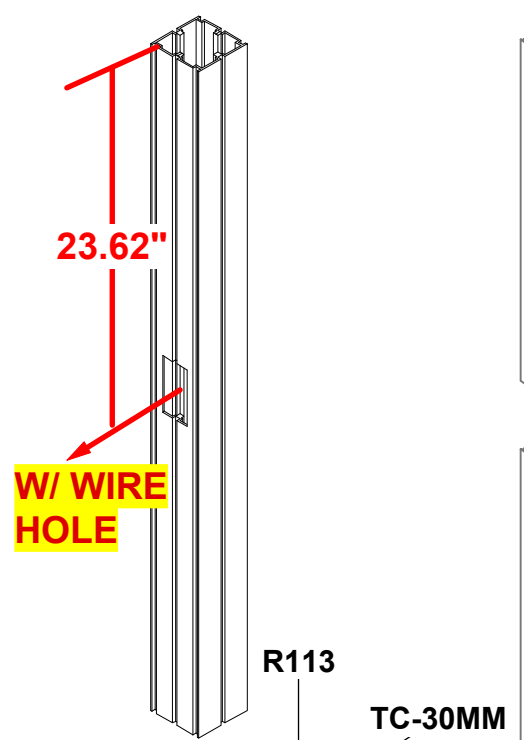
Code	#	Description
R113	2	1200MM PM4S2 WITH SET SCREW AT 305MM BOTH ENDS WIRE HOLE @ MIDDLE
R13	2	600MM PH2 CONNECTOR WITH TENSION GLIDES
TC-30MM	4	SILVER ANODIZE FINISH 30MM TUBE CLAMP

1. Redesign of this exhibit without approval by manufacturer may result in dangerous and unsafe structures. Manufacturer disclaims any responsibility for redesigned exhibits it does not approve in writing.

2. Parts and components such as panels and extrusions are manufactured to metric sizing. Where ever possible sizes have been noted in feet and inches as well as in metric. Below is the imperial to metric sizing table as reference. "Nominal" refers to approximate size.

2400mm = (94 1/2")	Phone Line / Fax
2100mm = (82 5/8")	Internet connection
1800mm = (70 7/8")	Outlet
1500mm = (59")	Main Drop (point of distrution)
1200mm = (47 1/4")	
900mm = (35 1/2")	
600mm = (23 5/8")	
300mm = (11 7/8")	

--- Wire running under carpet



HYBRID PRO RENTAL KIT

Title: SET-UP INSTRUCTIONS



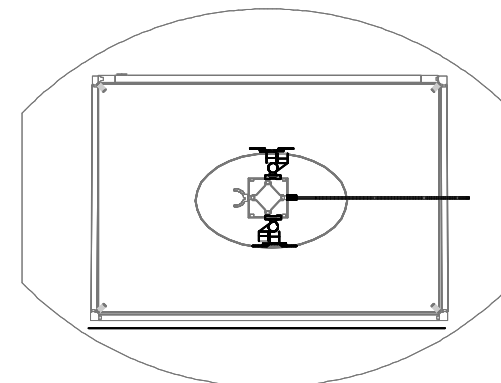
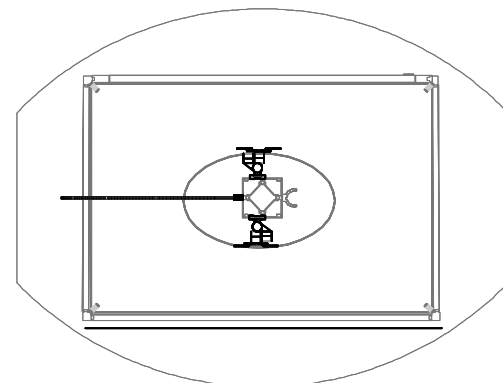
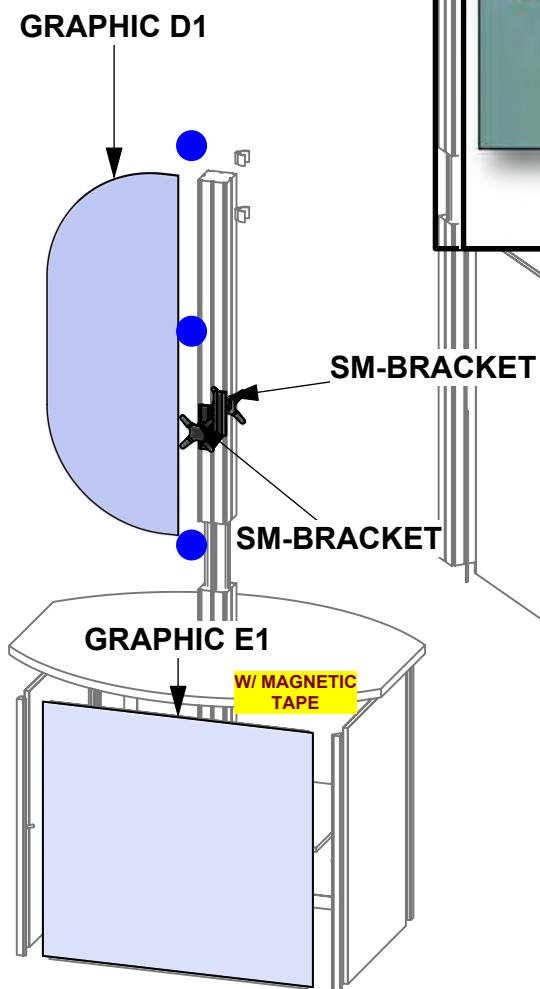
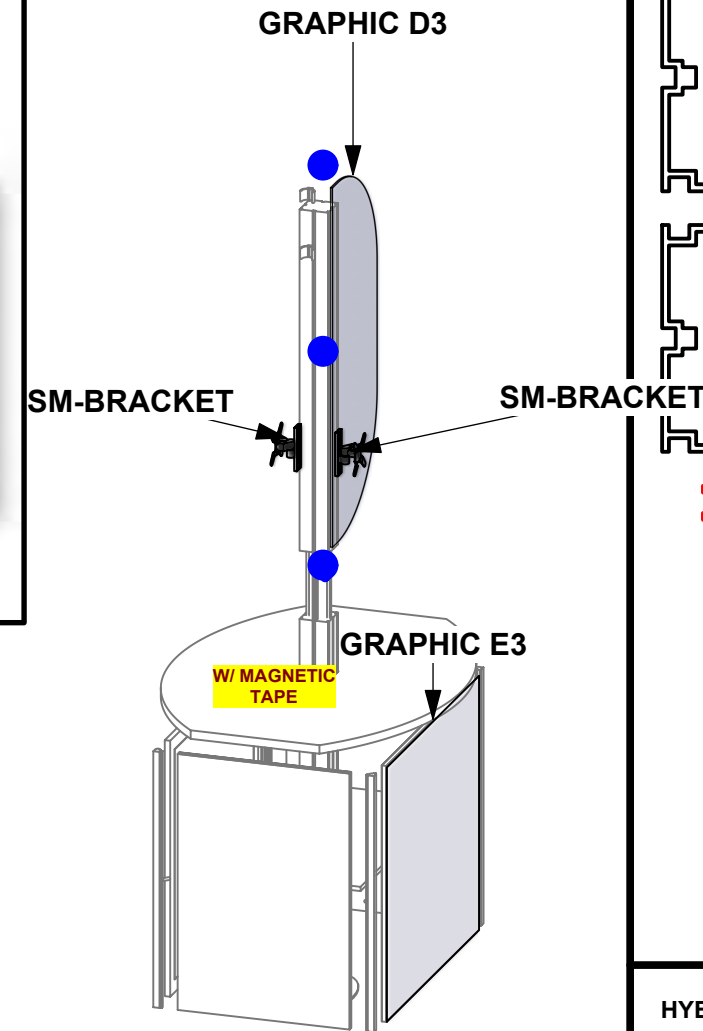
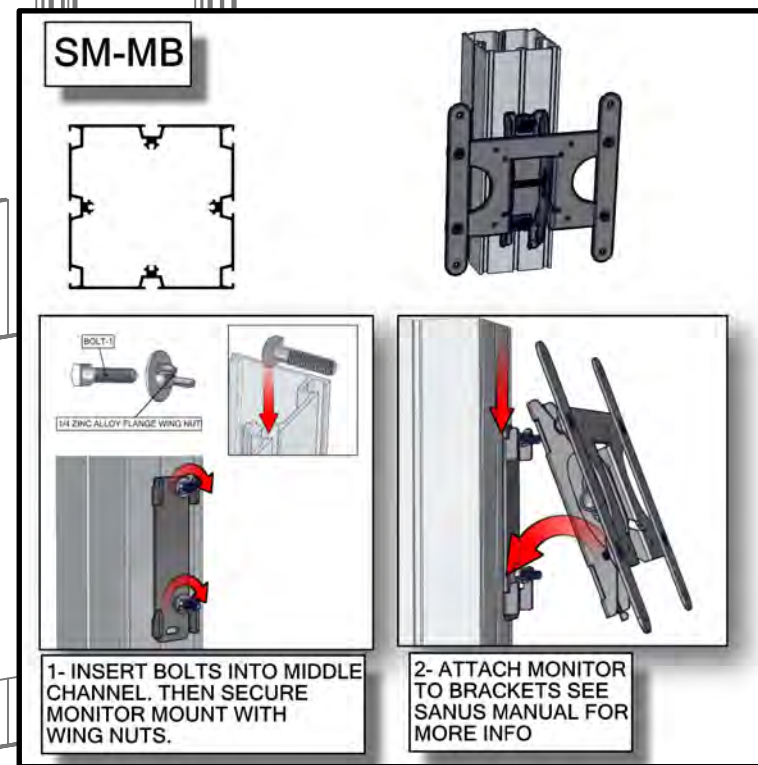
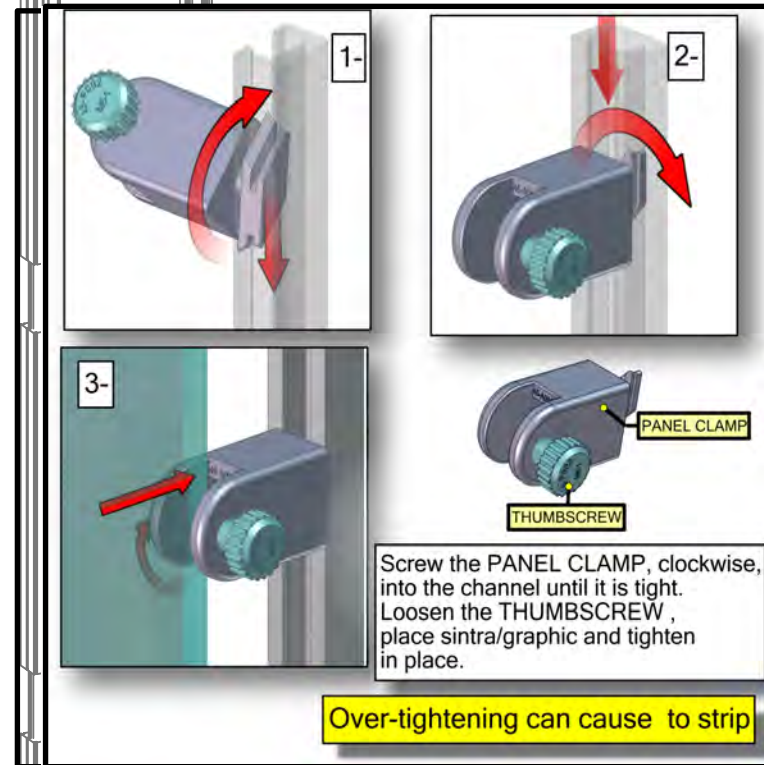
Code	#	Description
GRAPHIC D3	1	49.75" X 18" DSG DOUBLE SIDED GRAPHIC ON 6MM SINTRA
PANEL CLAMP	6	45-panel clamp (hamburger clip)
GRAPHIC D1	1	49.75" X 18" DSG DOUBLE SIDED GRAPHIC ON 6MM SINTRA
GRAPHIC E1	1	35 3/16" (H) X 37 1/4" (W) ROLLABLE DETACHABLE DSG GRAPHIC WITH
GRAPHIC E3	1	35 3/16" (H) X 37 1/4" (W) ROLLABLE DETACHABLE DSG GRAPHIC WITH
SM-BRACKET	4	SMALL MONITOR BRACKET

1. Redesign of this exhibit without approval by manufacturer may result in dangerous and unsafe structures. Manufacturer disclaims any responsibility for redesigned exhibits it does not approve in writing.

2. Parts and components such as panels and extrusions are manufactured to metric sizing. Where ever possible sizes have been noted in feet and inches as well as in metric. Below is the imperial to metric sizing table as reference. "Nominal" refers to approximate size.

2400mm = (94 1/2")	Phone Line / Fax
2100mm = (82 5/8")	Internet connection
1800mm = (70 7/8")	Outlet
1500mm = (59")	Main Drop (point of distrution)
1200mm = (47 1/4")	
900mm = (35 1/2")	
600mm = (23 5/8")	
300mm = (11 7/8")	

--- Wire running under carpet



HYBRID PRO RENTAL KIT

Title: SET-UP INSTRUCTIONS

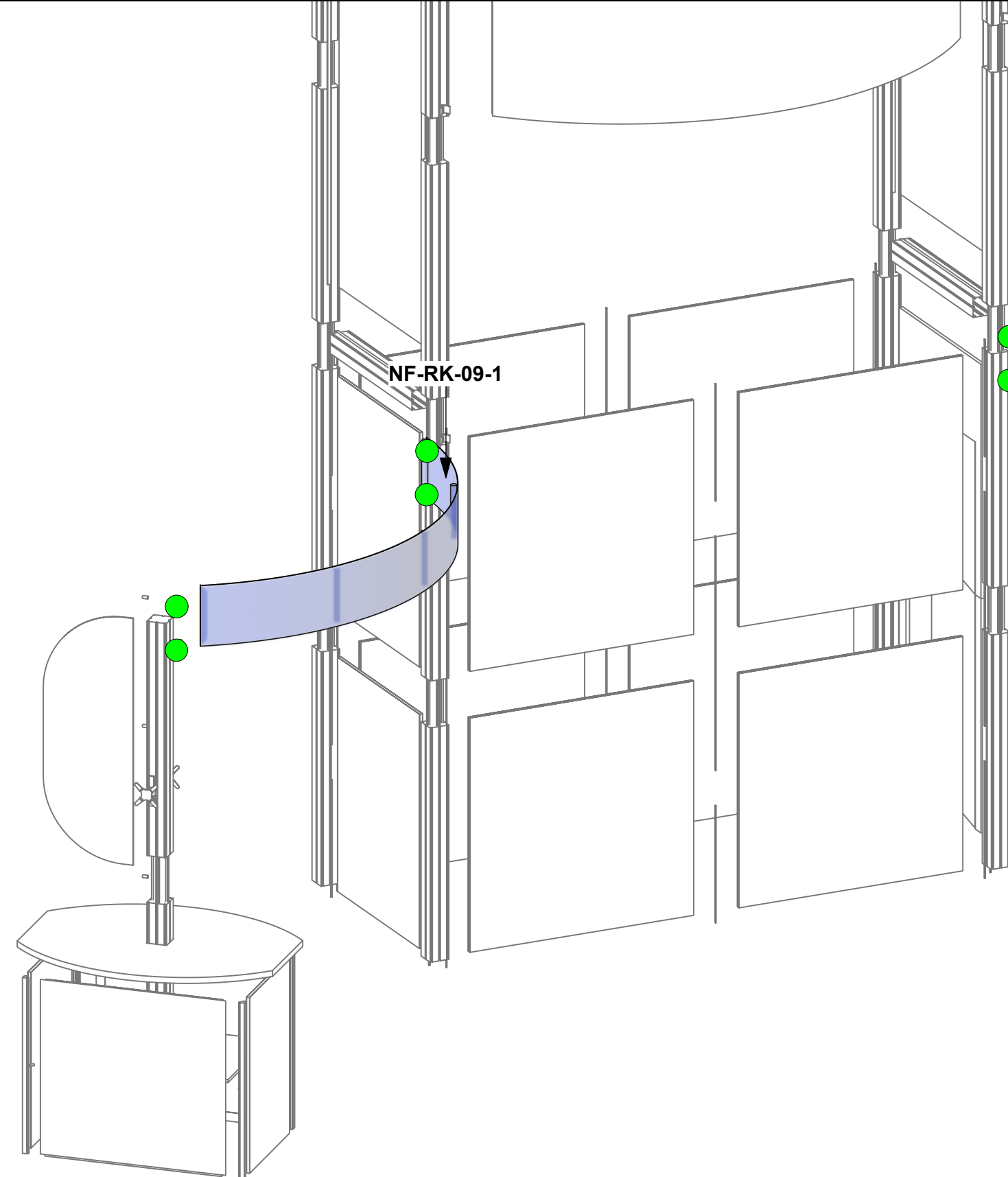
Code	#	Description
NF-RK-09-1	1	(C2) 108" X 12" & CONVEX 106" X 12" CONCAVE C SHPD FAB STRUCT GRFX - PRINT B.S.
NF-RK-09-1	1	(C1) 108" X 12" CONVEX & 106" X 12" CONCAVE C SHPD FAB STRUCT GRFX - PRINT B.S. (RK-09 KIT)

1. Redesign of this exhibit without approval by manufacturer may result in dangerous and unsafe structures. Manufacturer disclaims any responsibility for redesigned exhibits it does not approve in writing.

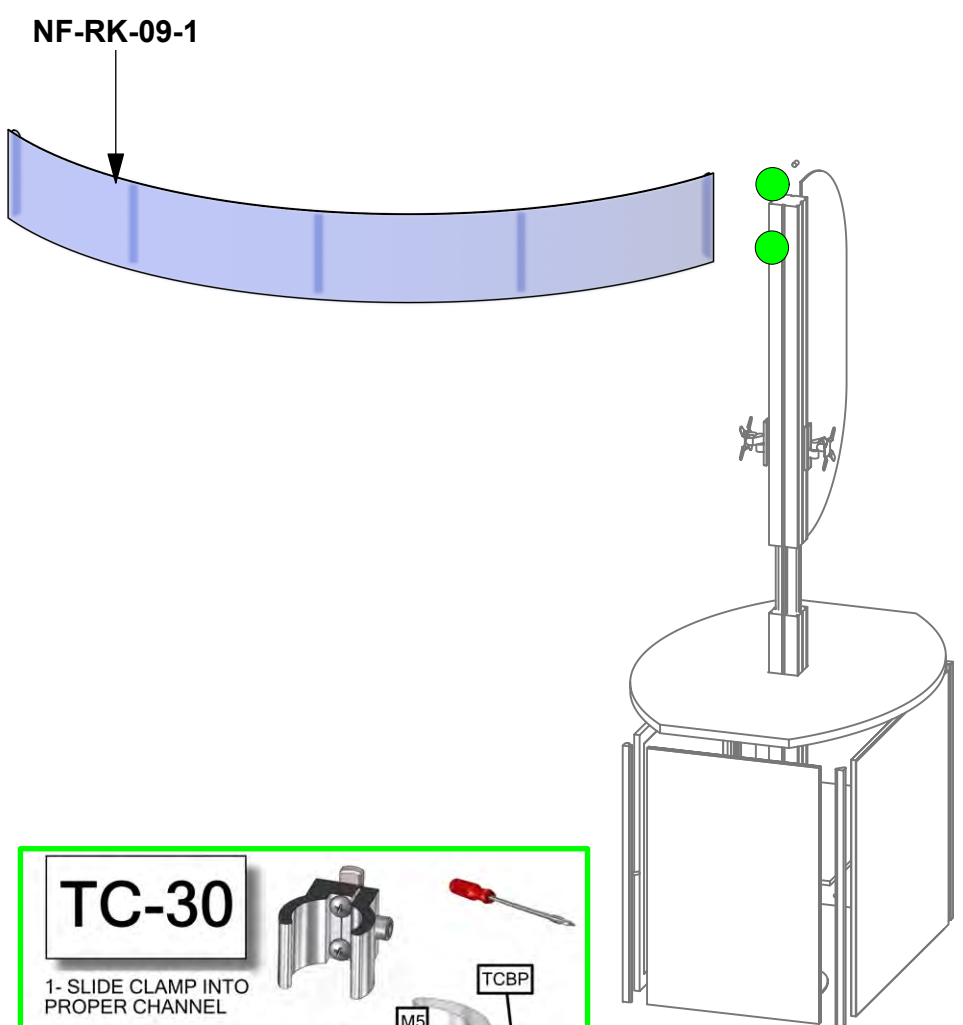
2. Parts and components such as panels and extrusions are manufactured to metric sizing. Where ever possible sizes have been noted in feet and inches as well as in metric. Below is the imperial to metric sizing table as reference. "Nominal" refers to approximate size.

2400mm = (94 1/2")	Phone Line / Fax
2100mm = (82 5/8")	Internet connection
1800mm = (70 7/8")	Outlet
1500mm = (59")	Main Drop (point of distrution)
1200mm = (47 1/4")	
900mm = (35 1/2")	
600mm = (23 5/8")	
300mm = (11 7/8")	

--- Wire running under carpet ---

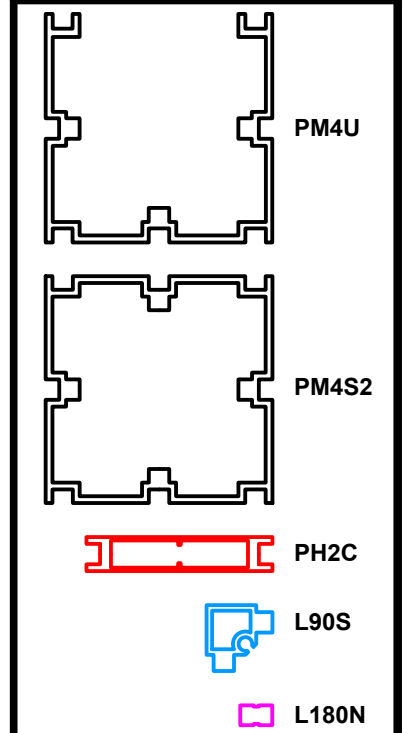


**PLEASE SEE THE NEXT PAGE FOR DETAILED SETUP INSTRUCTIONS**



**TC-30**

- 1- SLIDE CLAMP INTO PROPER CHANNEL
- 2- SECURE CLAMP WITH PHILIPS SCREWDRIVER
- 3- PLACE TUBE STRUCTURE AND GENTLY TIGHTEN WITH 3/16" T HANDLE



**HYBRID PRO RENTAL KIT**

Title: SET-UP INSTRUCTIONS

Code	#	Description
NF-RK-09-1	1	(C2) 108" X 12" & CONVEX 106" X 12" CONCAVE C SHPD FAB STRUCT GRFX - PRINT B.S.
NF-RK-09-1	1	(C1) 108" X 12" CONVEX & 106" X 12" CONCAVE C SHPD FAB STRUCT GRFX - PRINT B.S. (RK-09 KIT)

**SET UP INSTRUCTIONS:**

1. CONNECT BOTTOM AND TOP RAILS FOLLOWING THE LABELS
2. CONNECT SIDE RAILS
3. CLEAN THE FRAME AND PLACE THEM ON CLEAN PLACE
4. CAREFULLY REMOVE FABRIC COVER FROM BAGS
5. PLACE COVER AROUND THE BOTTOM OF THE FRAME
6. PULL COVER CAREFULLY UP TO THE TOP
7. CLOSE ALL ZIPPERS
8. ADJUST FABRIC AROUND THE FRAME

**BREAK DOWN INSTRUCTIONS:**

REVERSE SET-UP STEPS TO BREAKDOWN FRAME

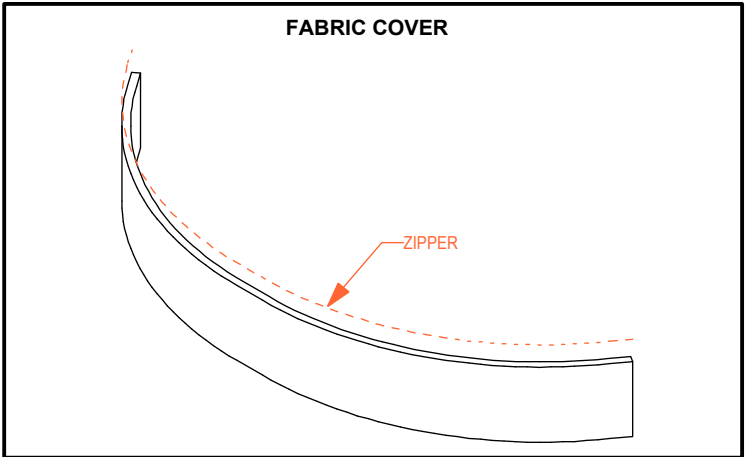
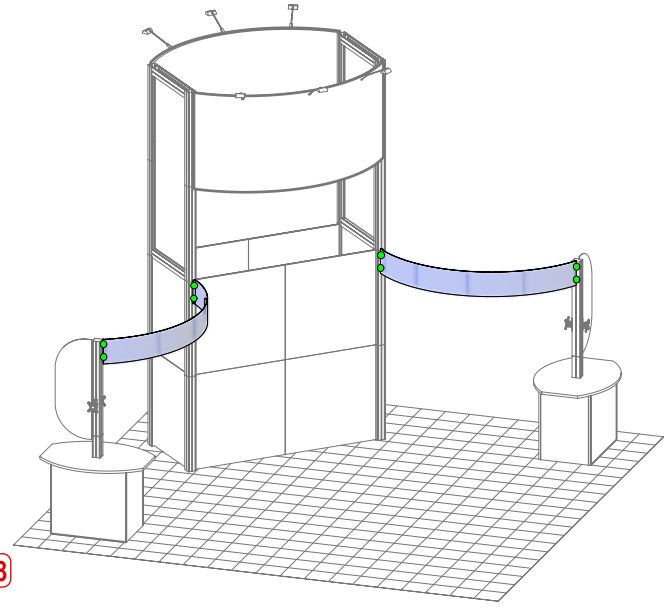
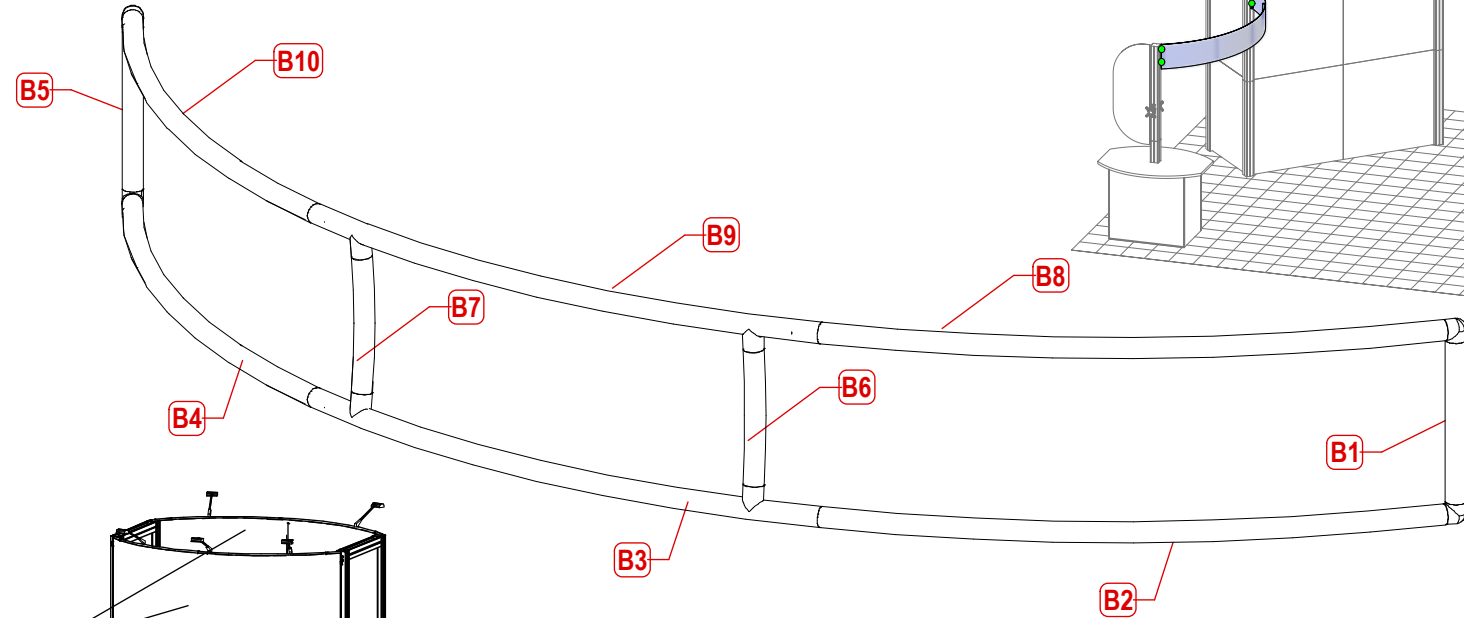
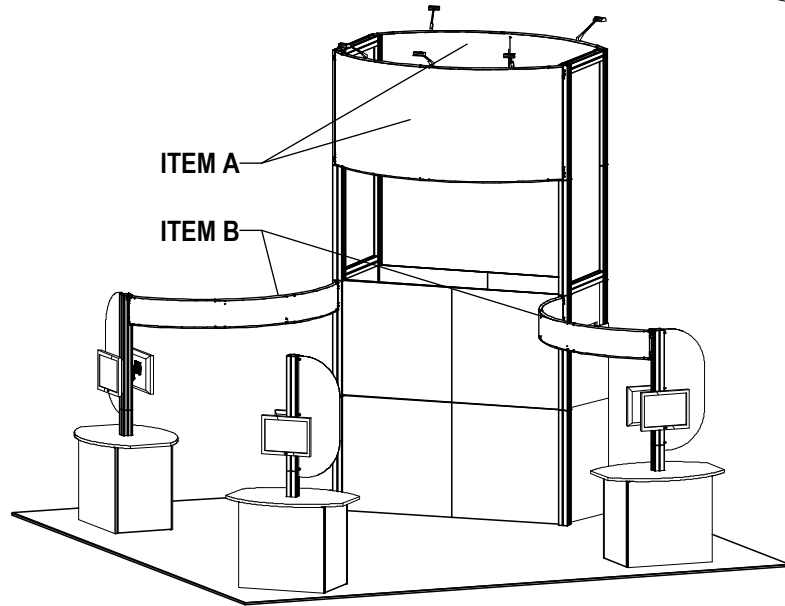
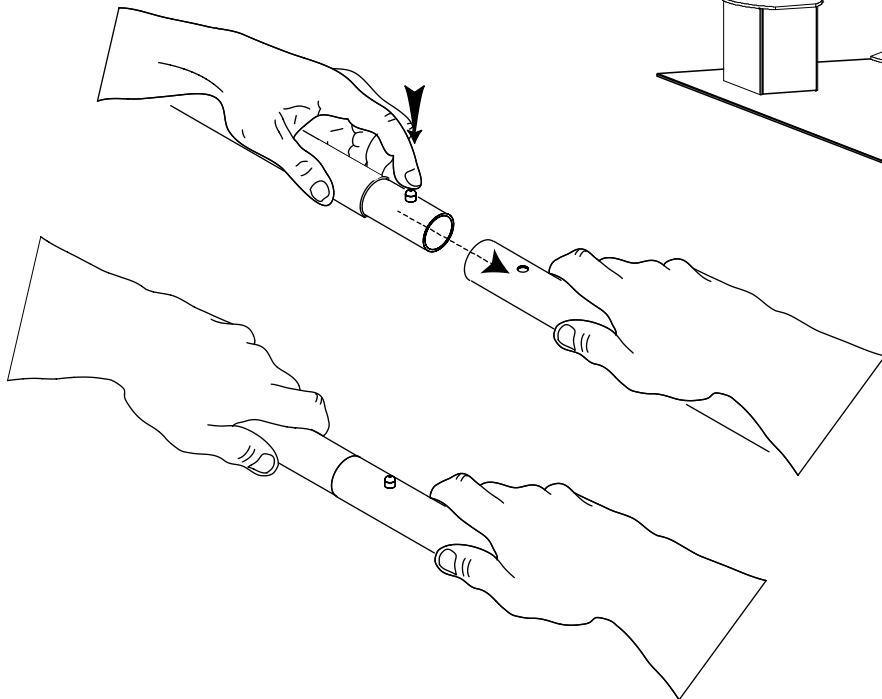
**FABRIC CARE INSTRUCTIONS:**

1. UNZIP COVER ZIPPERS
2. CAREFULLY REMOVE FABRIC COVER
3. CLOSE ALL ZIPPERS
4. FOLD OR ROLL NEATLY
5. PLACE FABRIC IN COVER BAG

**PART LIST:**

PER UNIT

- 10 30MM DIA. TUBE SECTIONS
- 4 TC30 CLAMPS
- 1 FABRIC COVER

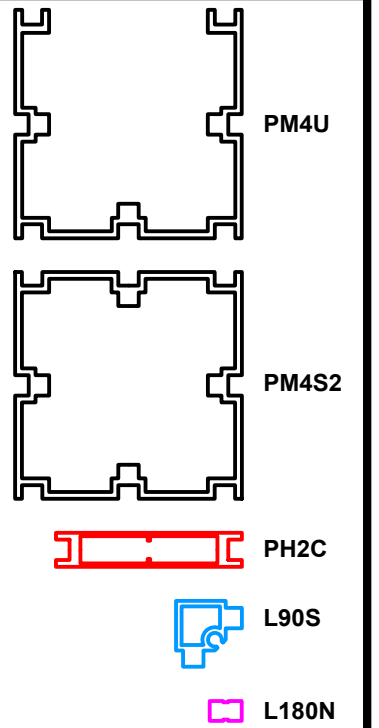


1. Redesign of this exhibit without approval by manufacturer may result in dangerous and unsafe structures. Manufacturer disclaims any responsibility for redesigned exhibits it does not approve in writing.

2. Parts and components such as panels and extrusions are manufactured to metric sizing. Where ever possible sizes have been noted in feet and inches as well as in metric. Below is the imperial to metric sizing table as reference. \*Nominal" refers to approximate size.

2400mm = (94 1/2")	Phone Line / Fax
2100mm = (82 5/8")	Internet connection
1800mm = (70 7/8")	Outlet
1500mm = (59")	Main Drop (point of distrution)
1200mm = (47 1/4")	
900mm = (35 1/2")	
600mm = (23 5/8")	
300mm = (11 7/8")	

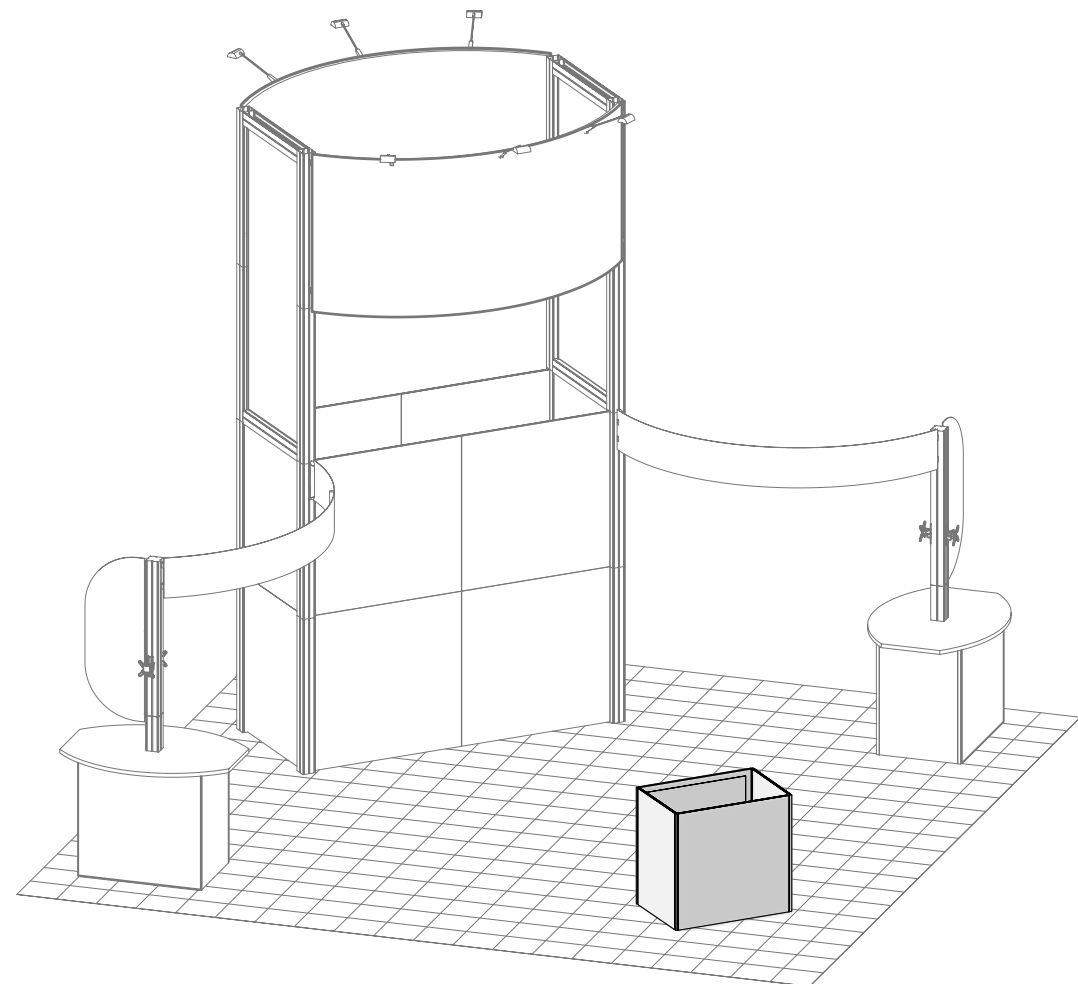
--- Wire running under carpet



HYBRID PRO RENTAL KIT

Title: SET-UP INSTRUCTIONS

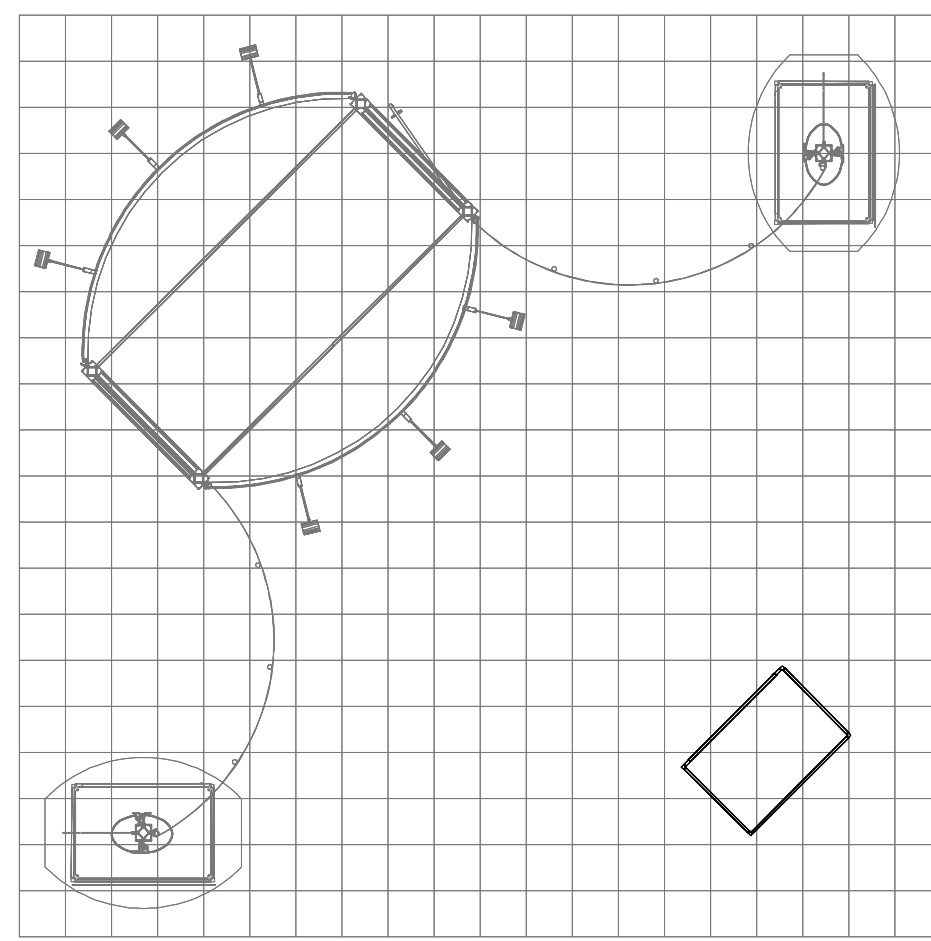
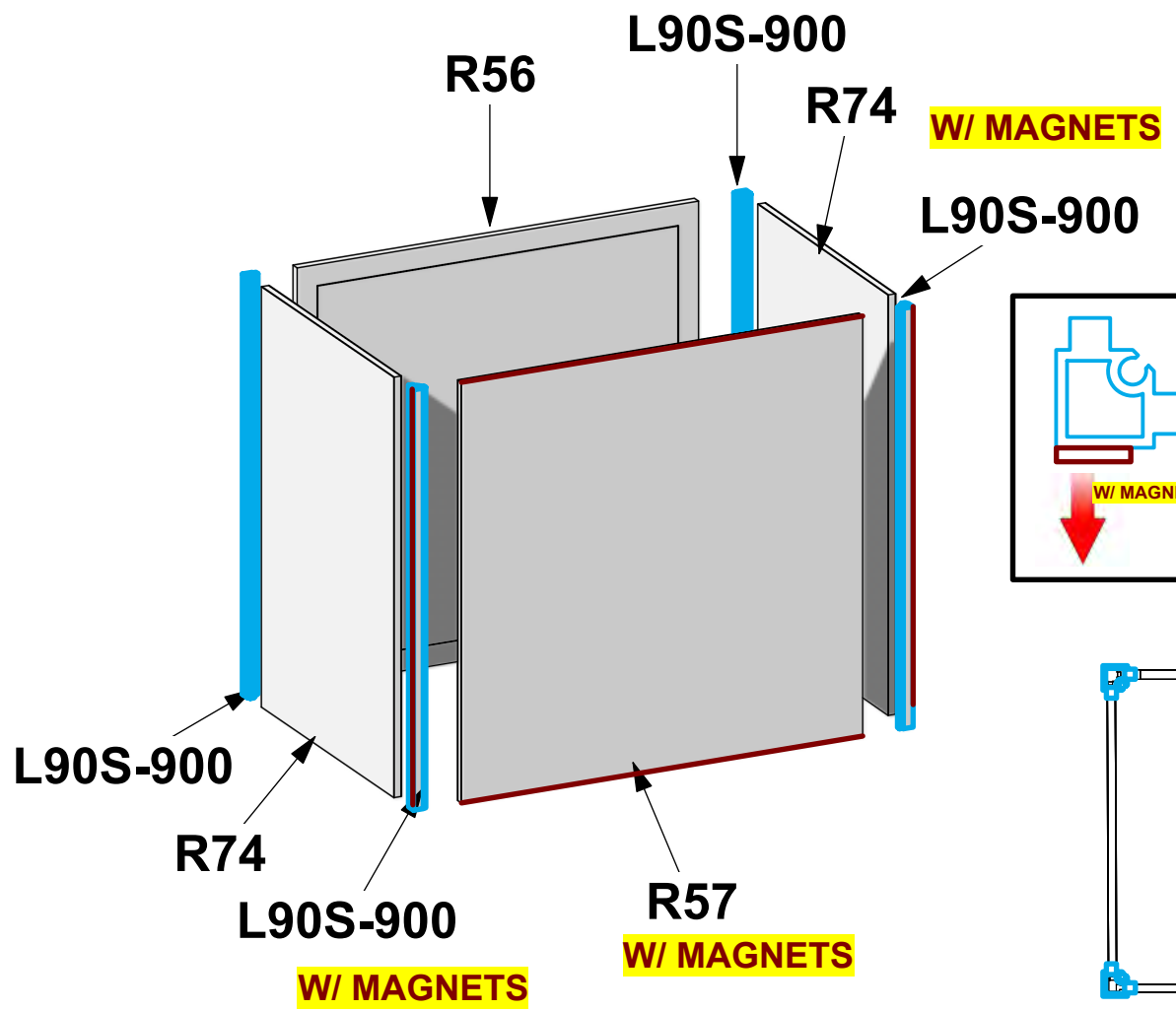
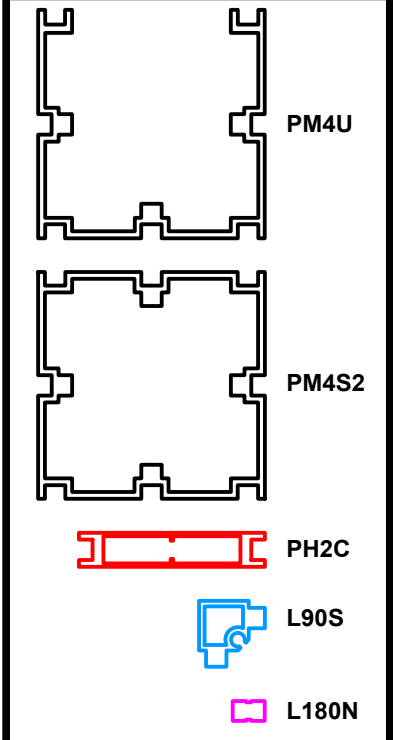
Code	#	Description
R57	1	900MM V x 900MM W LAMINATE PANEL
R74	2	900MM V x 600MM W LAMINATE PANEL
L90S-900	4	900MM 90 DEGREE SILVER LINK EXTRUSION
R56	1	900MM W x 900MM V LAMINATE CABINET DOOR PANEL



1. Redesign of this exhibit without approval by manufacturer may result in dangerous and unsafe structures. Manufacturer disclaims any responsibility for redesigned exhibits it does not approve in writing.

2. Parts and components such as panels and extrusions are manufactured to metric sizing. Where ever possible sizes have been noted in feet and inches as well as in metric. Below is the imperial to metric sizing table as reference. "Nominal" refers to approximate size.

- 2400mm = (94 1/2") Phone Line / Fax
  - 2100mm = (82 5/8") Internet connection
  - 1800mm = (70 7/8") Outlet
  - 1500mm = (59")
  - 1200mm = (47 1/4")
  - 900mm = (35 1/2") Main Drop (point of distrution)
  - 600mm = (23 5/8")
  - 300mm = (11 7/8")
- Wire running under carpet

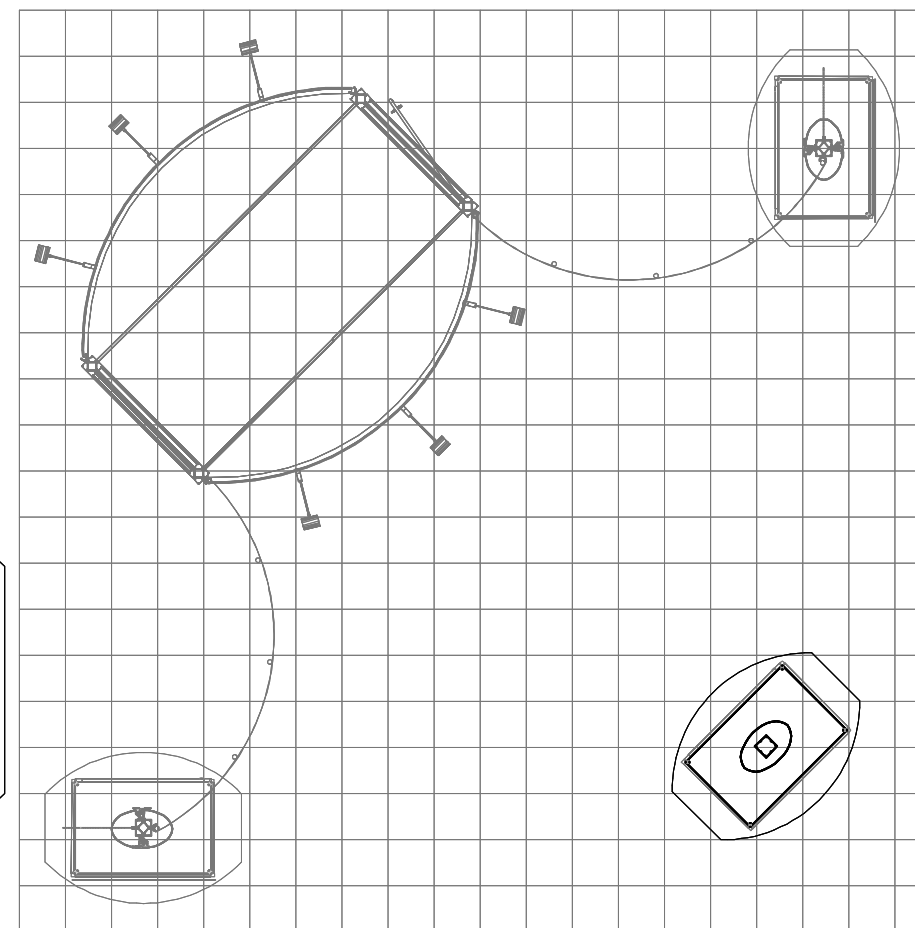
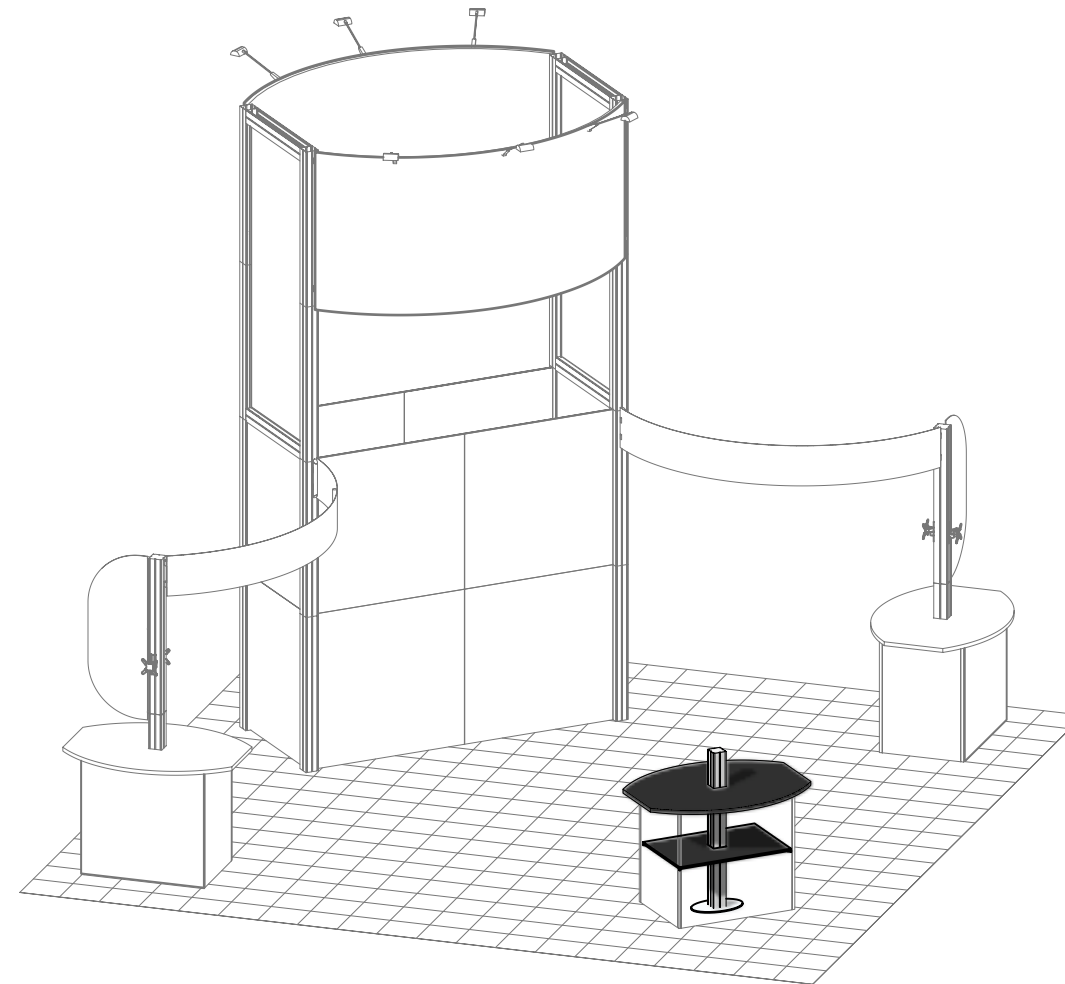
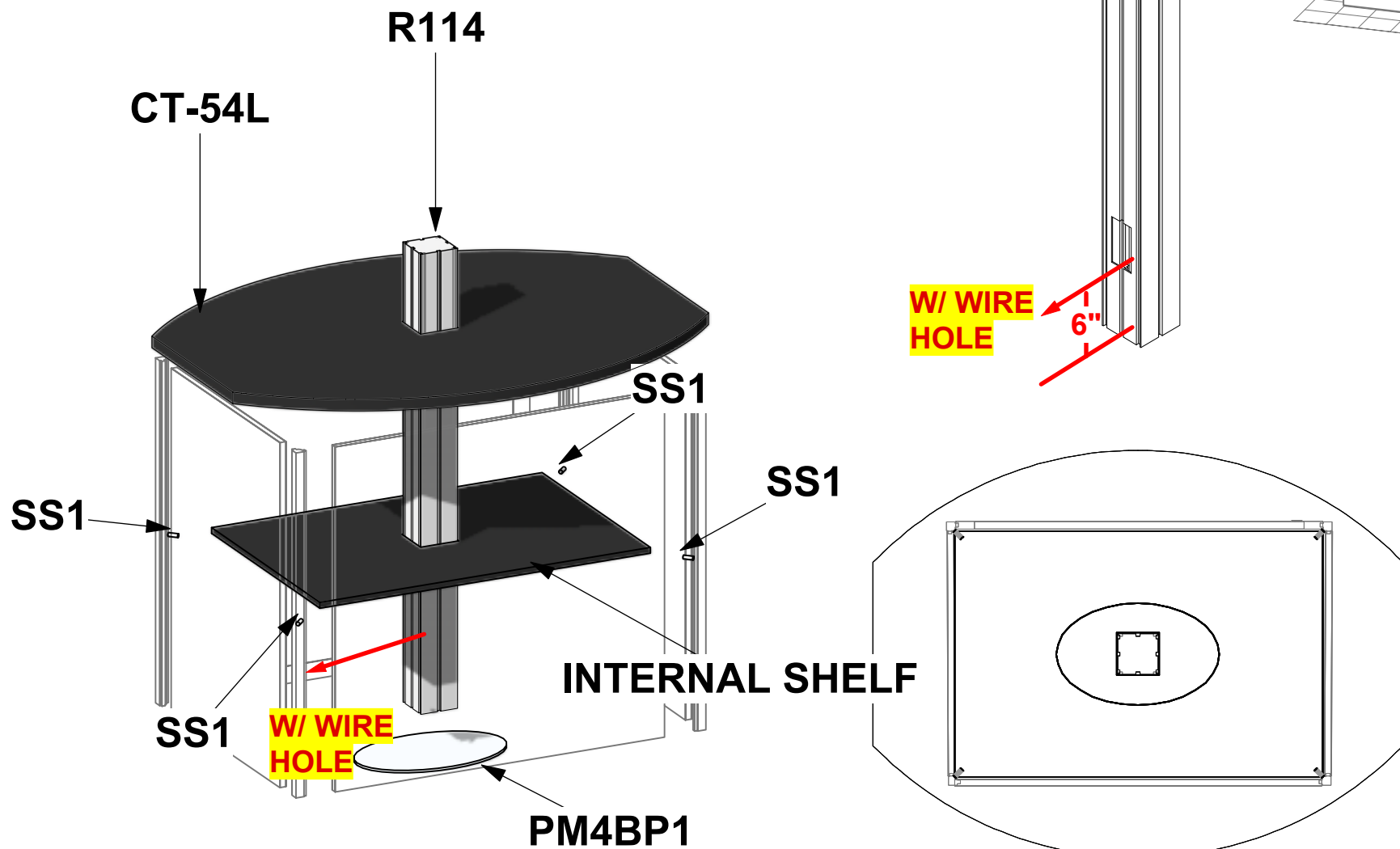
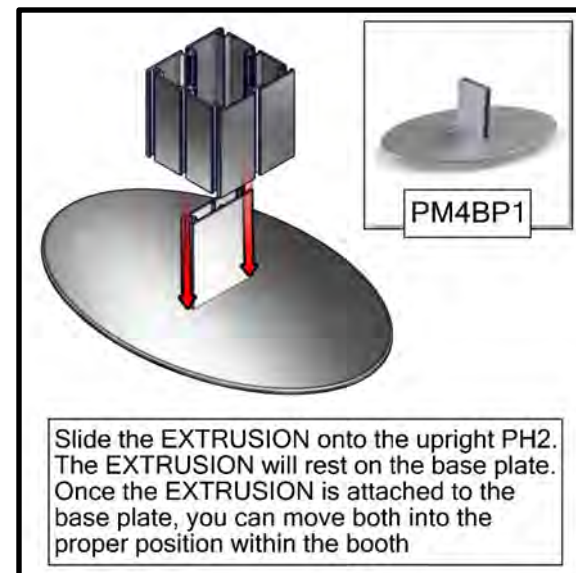
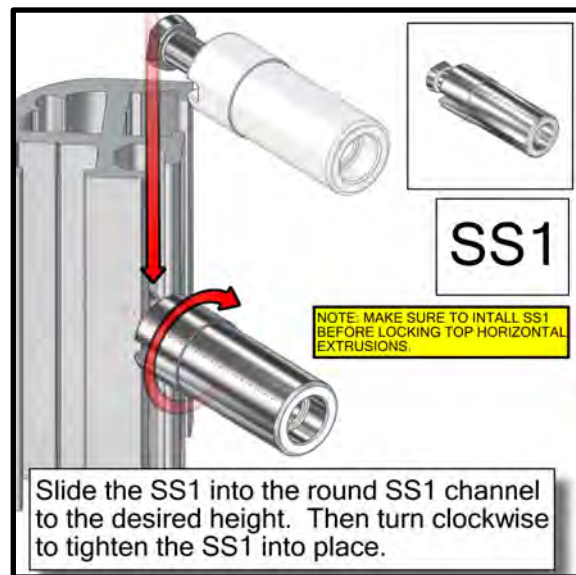


**HYBRID PRO RENTAL KIT**

Title: SET-UP INSTRUCTIONS



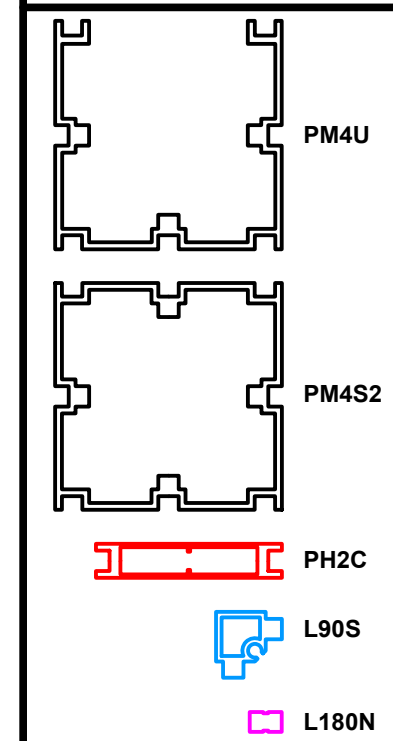
Code	#	Description
CT-54L	1	5' X 4' LAMINATE COUNTER TOP
R114	1	1200MM PM4S2 WITH SET SCREW AT 305MM BOTH ENDS WIRE HOLE @ BOTTOM
PM4BP1	1	15 3/4" X 9 7/8" ALUMINUM BASE PLATE
INTERNAL SH	1	BLACK INTERNAL SHELF
SS1	4	SHELF SUPPORT PIN (SILVER)



1. Redesign of this exhibit without approval by manufacturer may result in dangerous and unsafe structures. Manufacturer disclaims any responsibility for redesigned exhibits it does not approve in writing.

2. Parts and components such as panels and extrusions are manufactured to metric sizing. Where ever possible sizes have been noted in feet and inches as well as in metric. Below is the imperial to metric sizing table as reference. "Nominal" refers to approximate size.

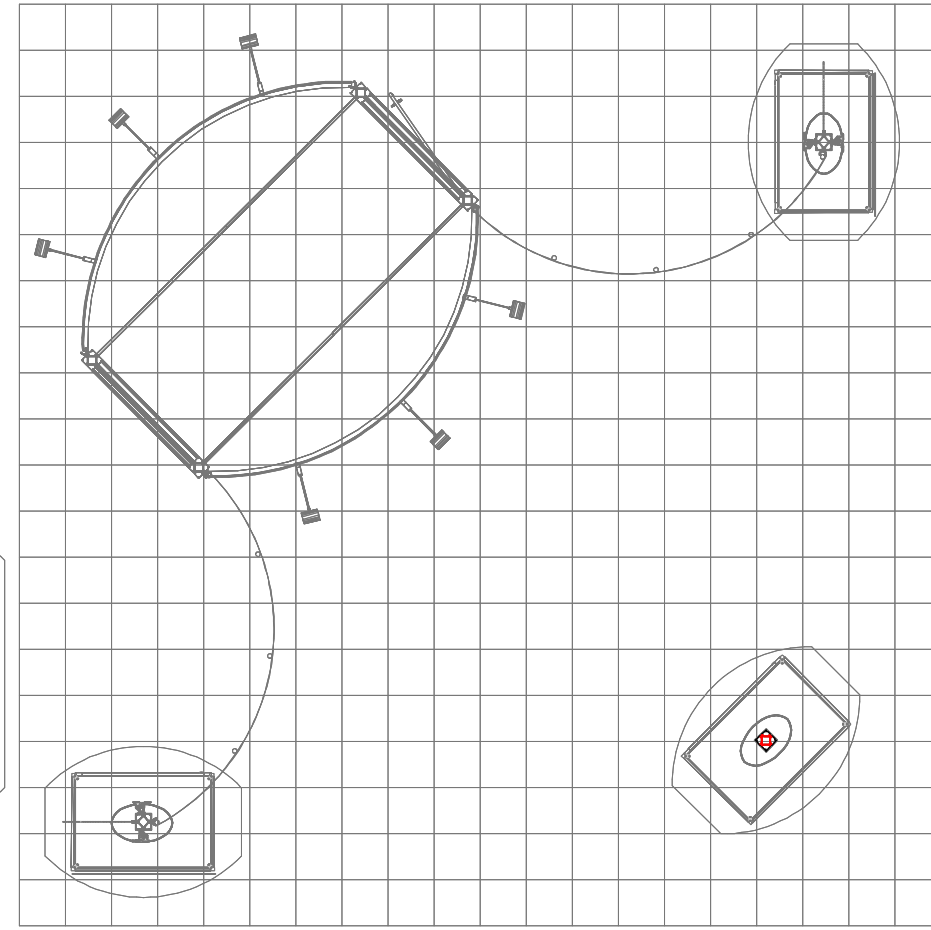
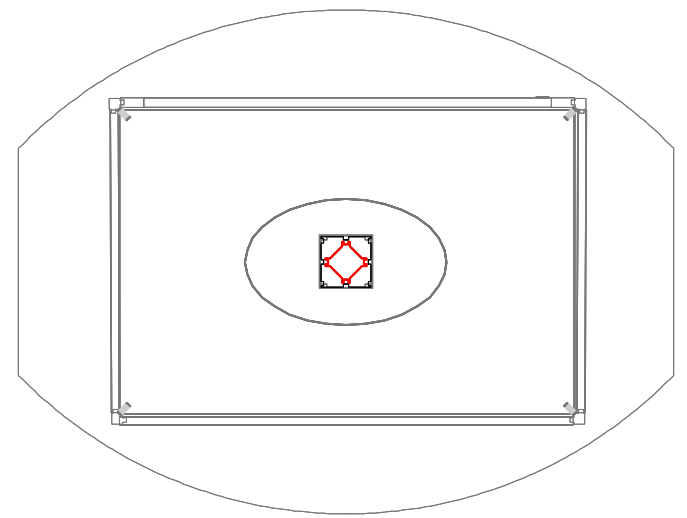
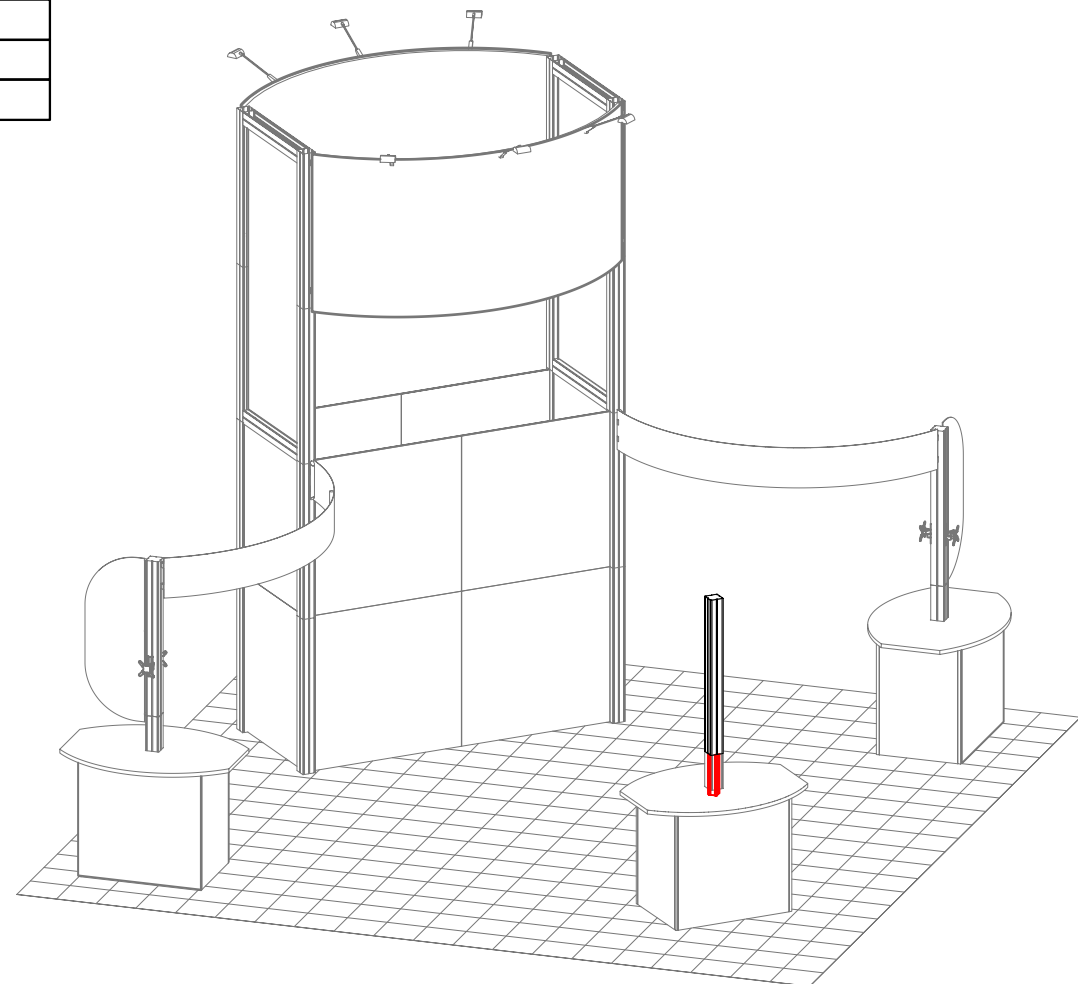
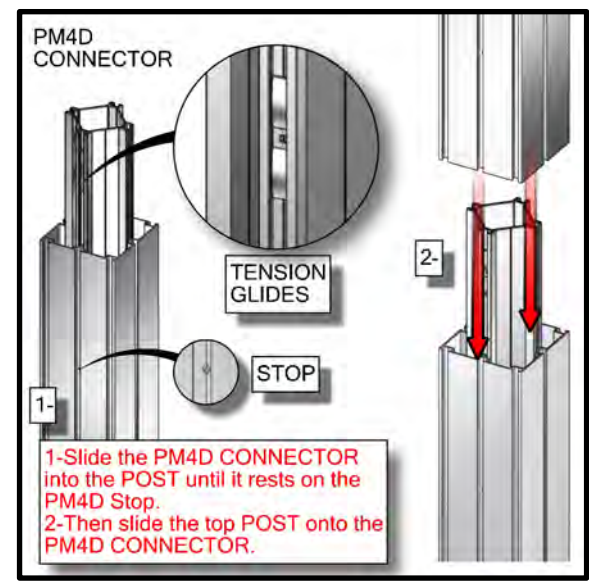
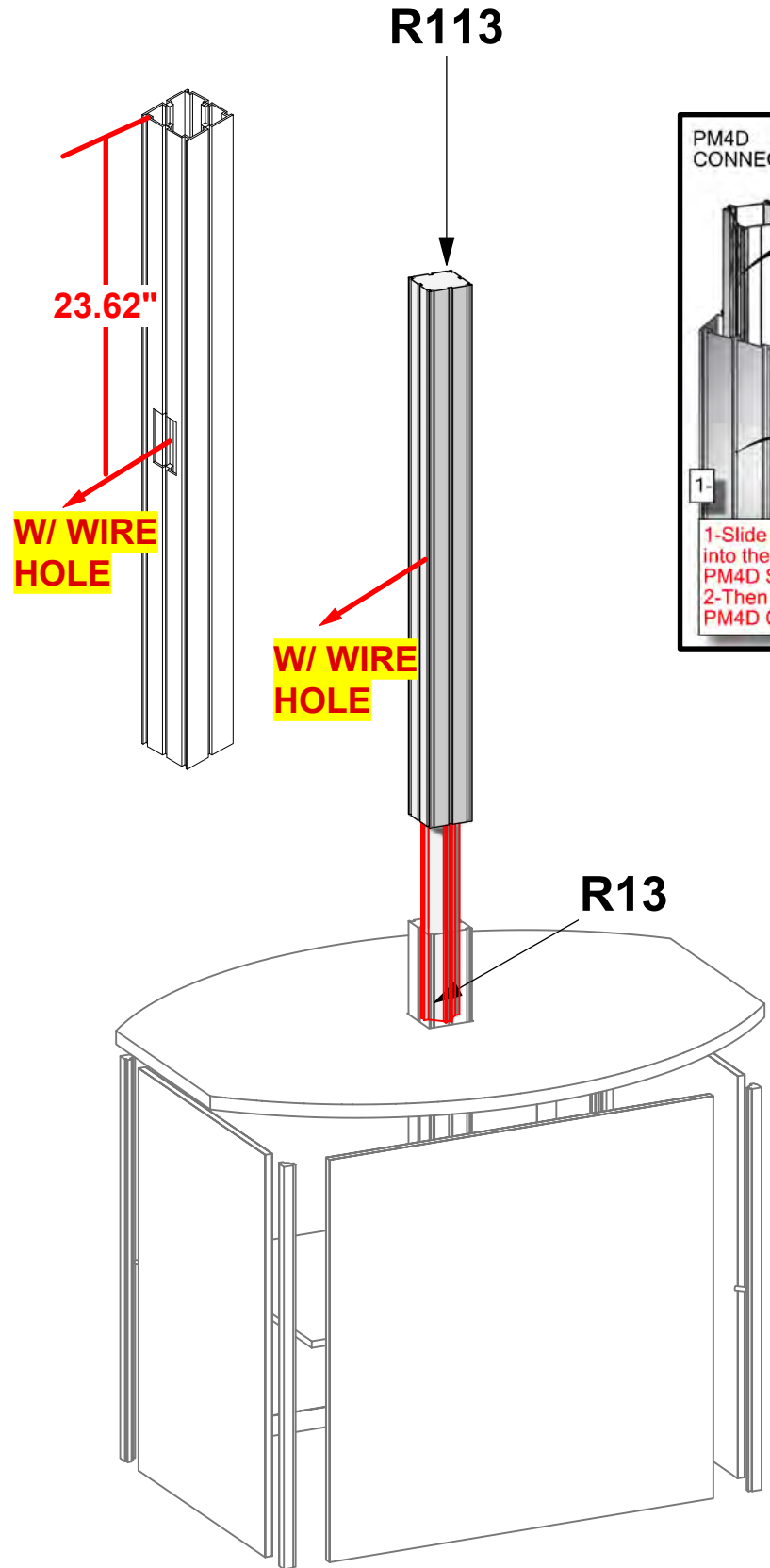
- 2400mm = (94 1/2")
  - 2100mm = (82 5/8")
  - 1800mm = (70 7/8")
  - 1500mm = (59")
  - 1200mm = (47 1/4")
  - 900mm = (35 1/2")
  - 600mm = (23 5/8")
  - 300mm = (11 7/8")
- Phone Line / Fax
  - Internet connection
  - Outlet
  - Main Drop (point of distrution)
- Wire running under carpet



HYBRID PRO RENTAL KIT

Title: SET-UP INSTRUCTIONS

Code	#	Description
R113	1	1200MM PM4S2 WITH SET SCREW AT 305MM BOTH ENDS WIRE HOLE @ MIDDLE
R13	1	600MM PH2 CONNECTOR WITH TENSION GLIDES

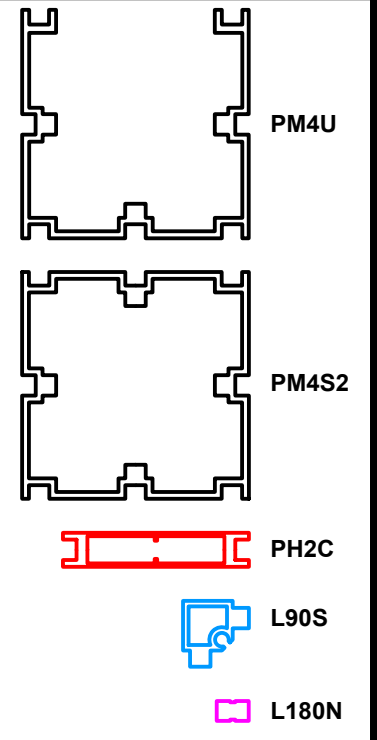


1. Redesign of this exhibit without approval by manufacturer may result in dangerous and unsafe structures. Manufacturer disclaims any responsibility for redesigned exhibits it does not approve in writing.

2. Parts and components such as panels and extrusions are manufactured to metric sizing. Where ever possible sizes have been noted in feet and inches as well as in metric. Below is the imperial to metric sizing table as reference. "Nominal" refers to approximate size.

2400mm = (94 1/2")	Phone Line / Fax
2100mm = (82 5/8")	Internet connection
1800mm = (70 7/8")	Outlet
1500mm = (59")	Main Drop (point of distrution)
1200mm = (47 1/4")	
900mm = (35 1/2")	
600mm = (23 5/8")	
300mm = (11 7/8")	

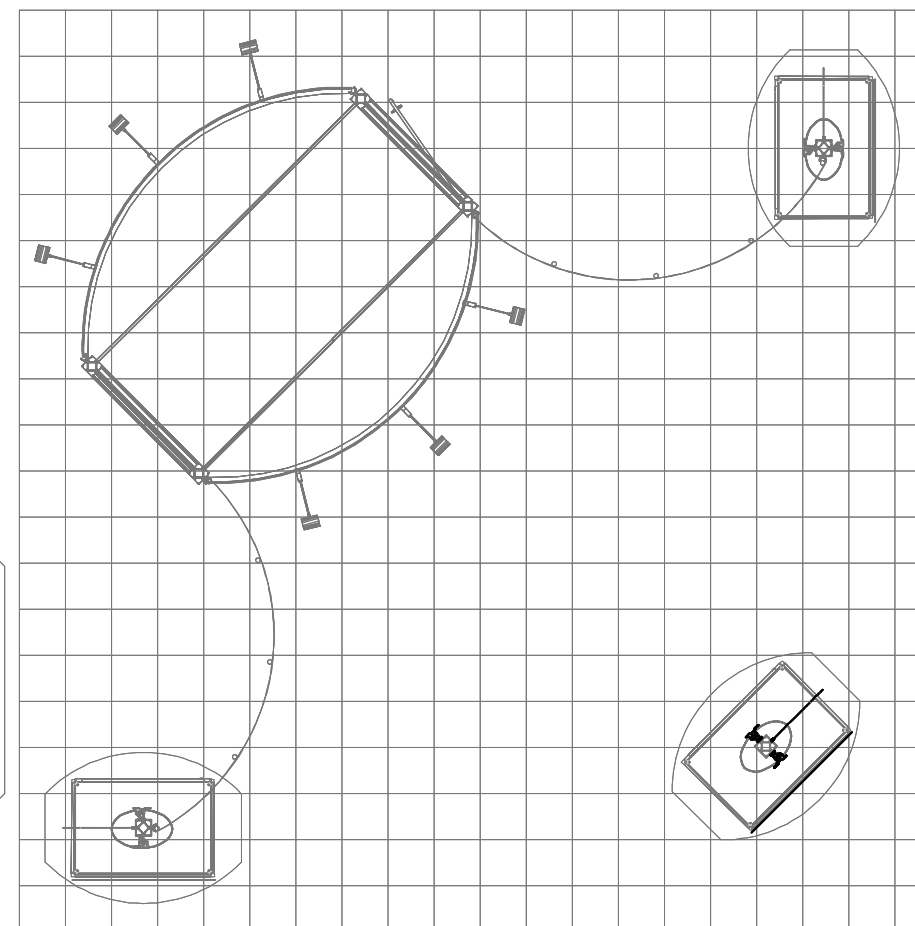
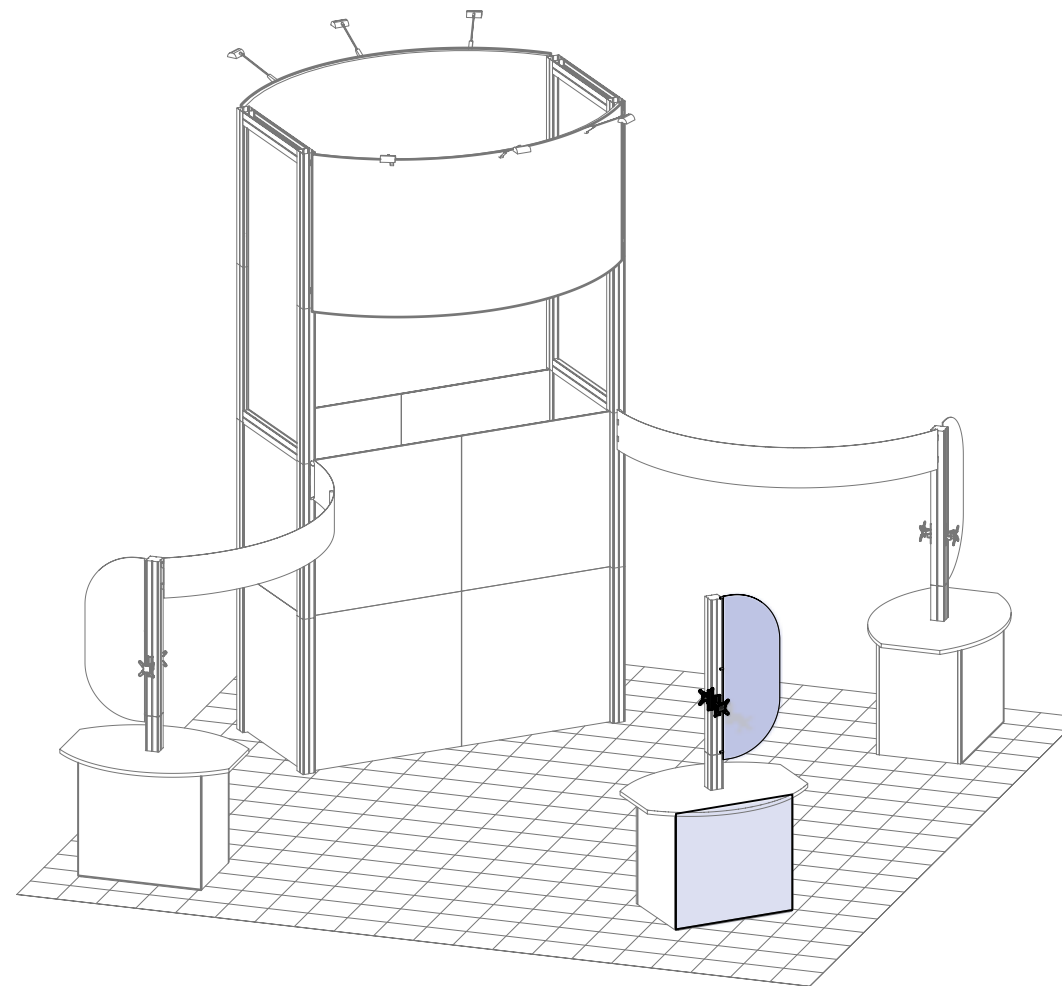
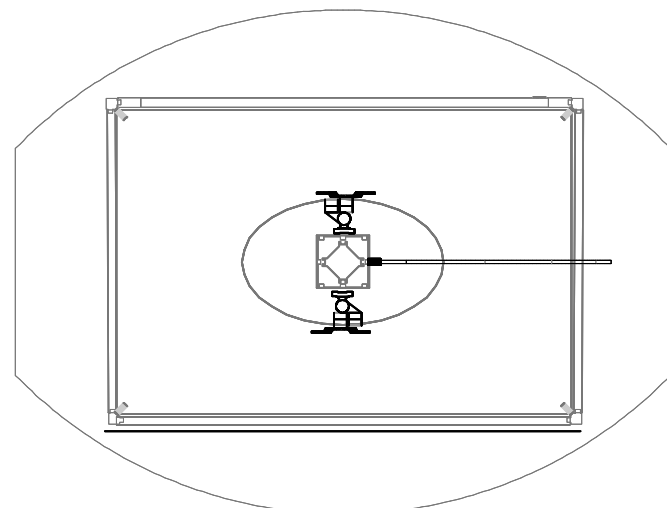
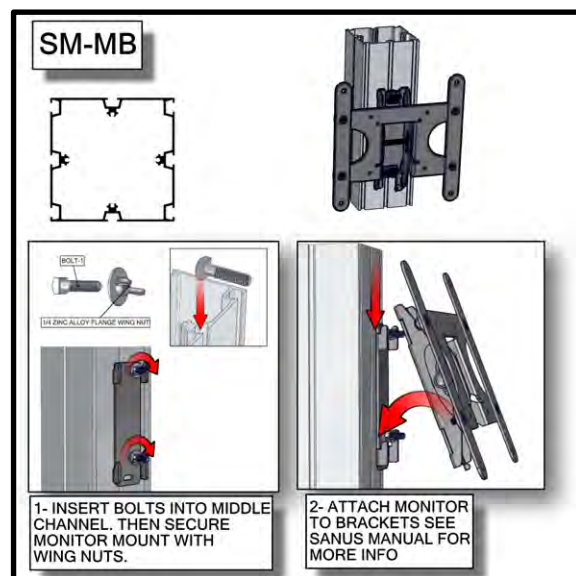
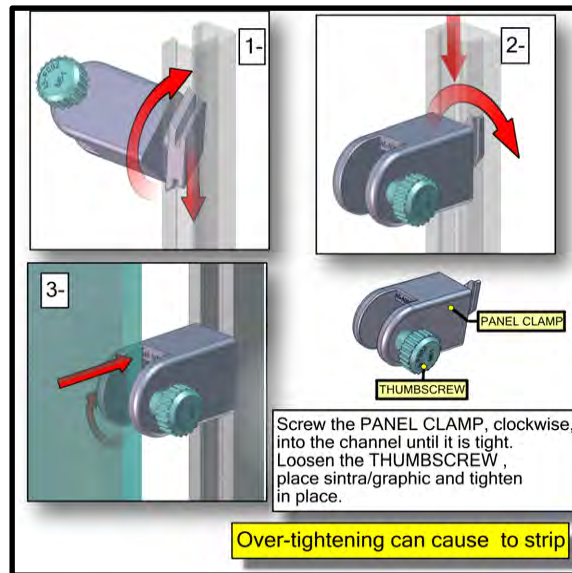
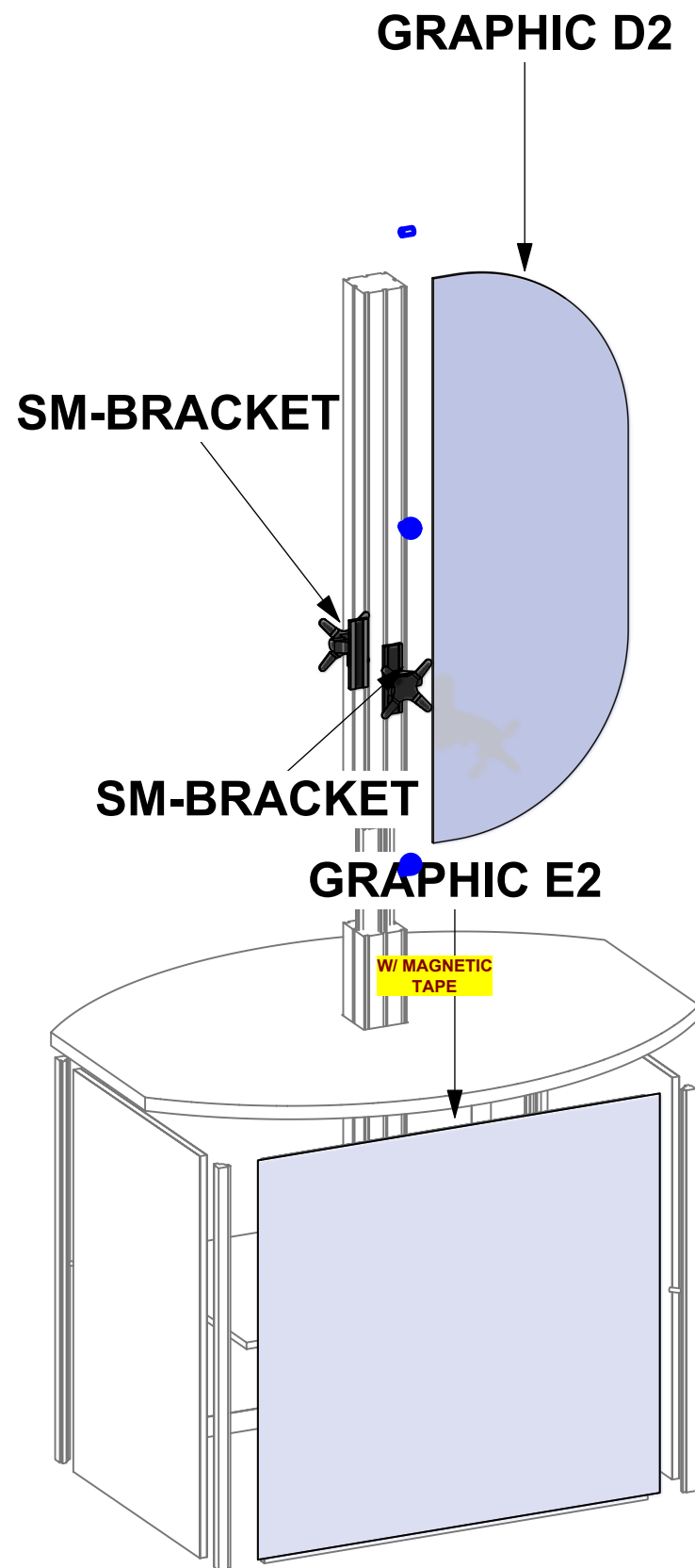
--- Wire running under carpet



**HYBRID PRO RENTAL KIT**

Title: SET-UP INSTRUCTIONS

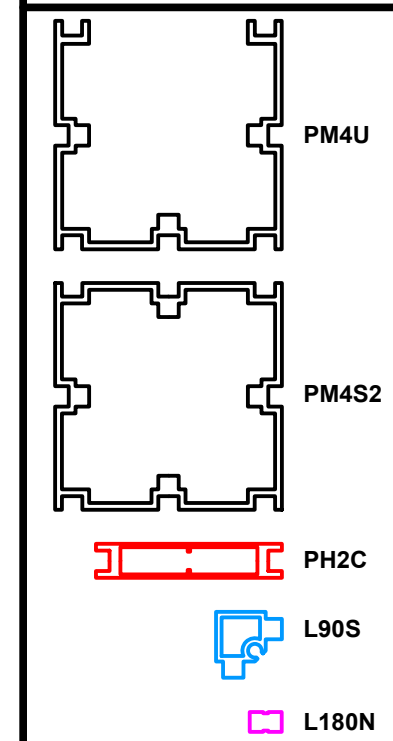
Code	#	Description
GRAPHIC D2	1	49.75" X 18" DSG DOUBLE SIDED GRAPHIC ON 6MM SINTRA
PANEL CLAMP	3	45-panel clamp (hamburger clip)
GRAPHIC E2	1	35 3/16" (H) X 37 1/4" (W) ROLLABLE DETACHABLE DSG GRAPHIC WITH
SM-BRACKET	2	SMALL MONITOR BRACKET



1. Redesign of this exhibit without approval by manufacturer may result in dangerous and unsafe structures. Manufacturer disclaims any responsibility for redesigned exhibits it does not approve in writing.

2. Parts and components such as panels and extrusions are manufactured to metric sizing. Where ever possible sizes have been noted in feet and inches as well as in metric. Below is the imperial to metric sizing table as reference. "Nominal" refers to approximate size.

- 2400mm = (94 1/2")
  - 2100mm = (82 5/8")
  - 1800mm = (70 7/8")
  - 1500mm = (59")
  - 1200mm = (47 1/4")
  - 900mm = (35 1/2")
  - 600mm = (23 5/8")
  - 300mm = (11 7/8")
- Phone Line / Fax
- Internet connection
- Outlet
- Main Drop (point of distrution)
- Wire running under carpet

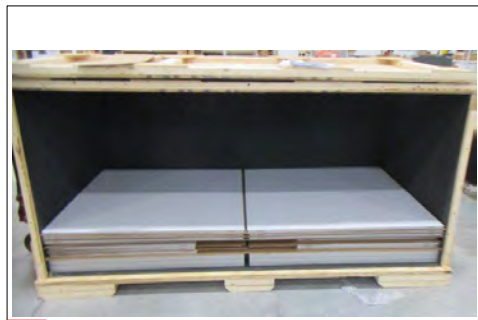


**HYBRID PRO RENTAL KIT**

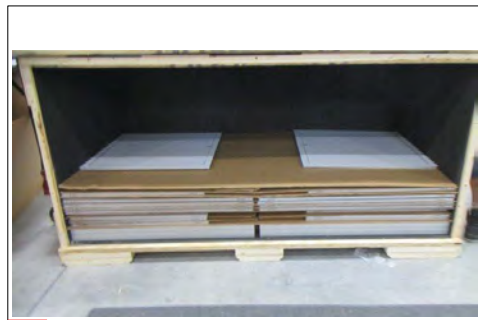
Title: SET-UP INSTRUCTIONS

# **PACKING INSTRUCTIONS**





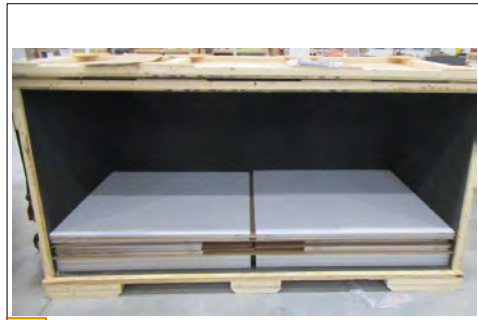
5



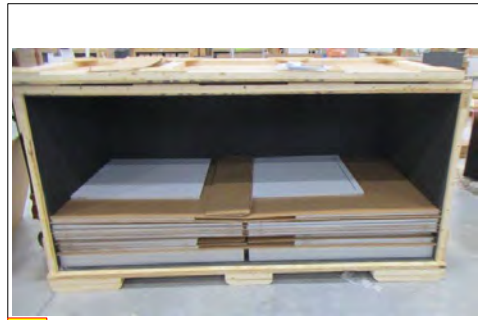
10



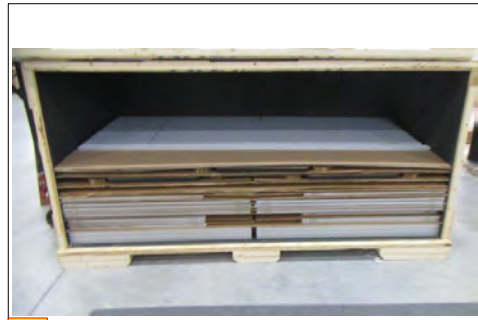
15



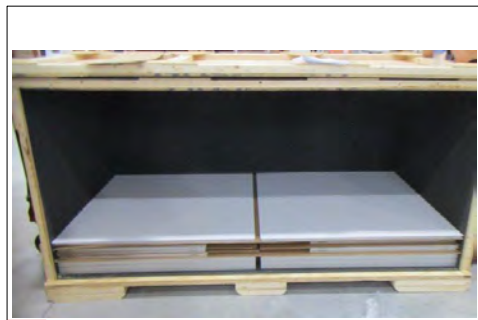
4



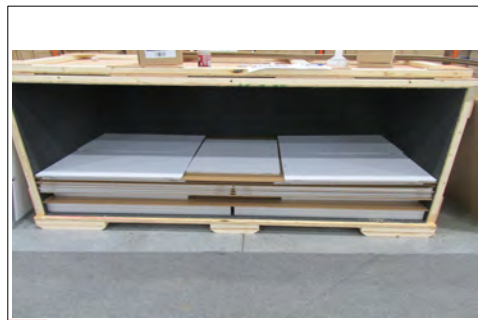
9



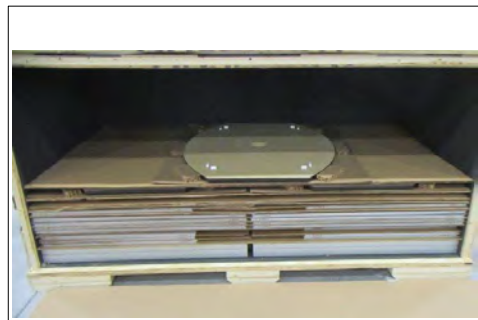
14



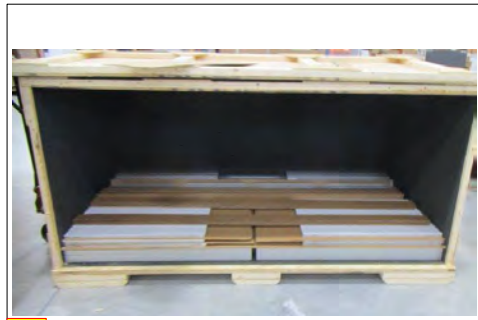
3



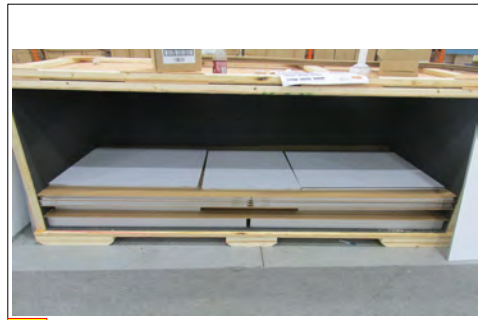
8



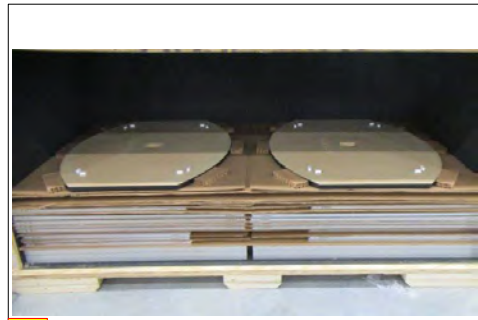
13



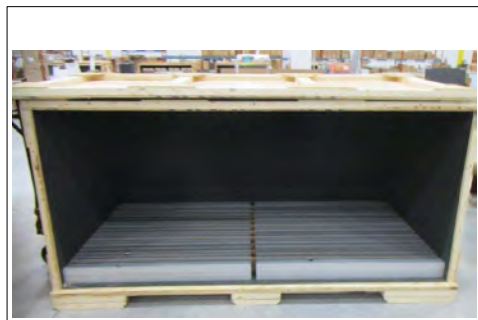
2



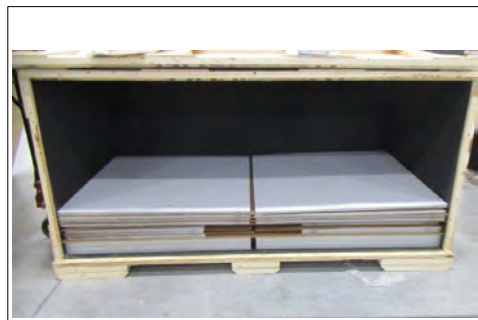
7



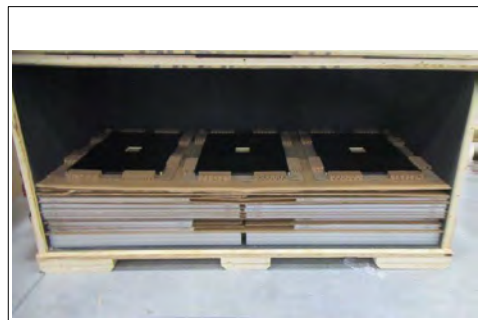
12



1



6



11



15 (6) SM-MB, (3) PM4BP1, (6) LEDL 10S LIGHTS, (1) STEAME HARDWARE BOX

14 (1) R69

13 (1) CT-54L

12 (2) CT-54L

11 (3) INTERNAL SHELVES

10 (2) R56

9 (1) R57, (1) R56

8 (5) R74

7 (2) R57, (1) R74

6 (2) R70

5 (2) R70

4 (2) R70

3 (2) R70, (4) R67, (4) R68, (6) R74

2 (2) R35, (2) R66, (15) R13, (20) L180-600, (10) L180N-1200, (12) L90S-900

1 (16) R15, (3) R114, (3) R113

# CASE # 1

<b>LEGEND</b>		GREY FOAM FOLDED TO FILL EMPTY SPACES OR USED AS PROTECTION
		1/8" CARDBOARD SPACER (PUT IN BETWEEN EVERY PANEL)
		DIVIDER
		1/4" WHITE FOAM (USED AS PROTECTION DOOR PANELS W/ LOCKS)

