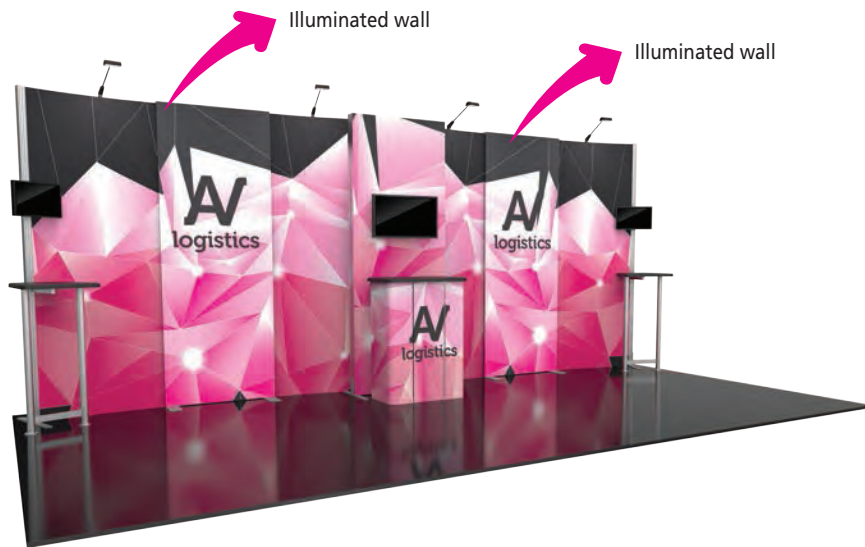


Hybrid Pro Modular Kit 09

HP-K-09

Hybrid Pro™ Modular exhibits and counters are a perfect solution for the serious exhibitor. Exhibits feature heavy-duty aluminum extrusion frames and push-fit fabric graphics. Count on making an unforgettable impact with Hybrid Pro Modular exhibit kits, counters, and accessories.



features and benefits:

- Silver aluminum extrusion frame
- Illuminated SEG push-fit graphic panel with interior top and bottom LED lighting
- Single-sided SEG dye-sublimated push-fit fabric graphics
- Easy step-by-step instructions
- Kit includes frame, five fabric graphic panels, two illuminated graphic panels, two tables, one counter, four 200 LED floodlights, two small monitor mounts, one medium monitor mount and two OCH2 molded cases and one SCRATE molded case
- Lifetime hardware warranty against manufacturer defects

dimensions:

Hardware	Graphic
<p>Assembled unit: 228.38" w x 94.75" h x 40.13" d 5800.85mm(w) x 2406.65(h) x 1019.3mm(d)</p> <p>Tables: 21" w x 40.5" h x 19.7" d 533.4mm(w) x 1028.7mm(h) x 500.38mm(d) Tables holds max weight 25 lbs / 11.34 kgs</p> <p>Counter: 30.63" w x 40.5" h x 18.75" d 778mm(w) x 1028.7mm(h) x 476.25mm(d) Counter holds max weight 50 lbs / 22.68 kgs</p>	<p>Total visual area: Panels A & G: 36.05" w x 94.375" h</p> <p>Panels B & F (backlit graphics): 35.3" w x 94.375" h</p> <p>Panel D: 35.3" w x 94.375" h</p> <p>Panels C & E: 24.375" w x 94.375" h</p> <p>Please be sure to include a 2" bleed around the perimeter.</p>
<p>Shipping</p> <p>Shipping dimensions - ships in 3 cases: 2 OCH2 case: 52" l x 30" h x 15" d 1320.8mm(l) x 762mm(h) x 381mm(d)</p> <p>1 SCRATE case: 59" l x 57" h x 34" d 1498.6mm(l) x 1447.8mm(h) x 863.6mm(d)</p> <p>Approximate shipping weight (entire kit): 503 lbs / 228 kgs</p>	<p>Refer to related graphic templates for more information</p> <p>Visit: www.exhibitors-handbook.com/graphic-templates</p>

additional information:

Graphic material:
Dye-sublimated fabric

Tabletop color options:



silver black mahogany natural

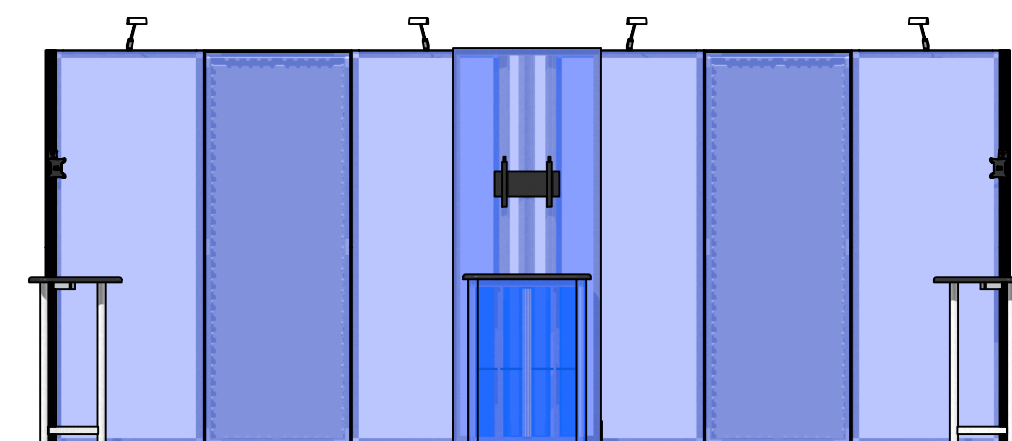
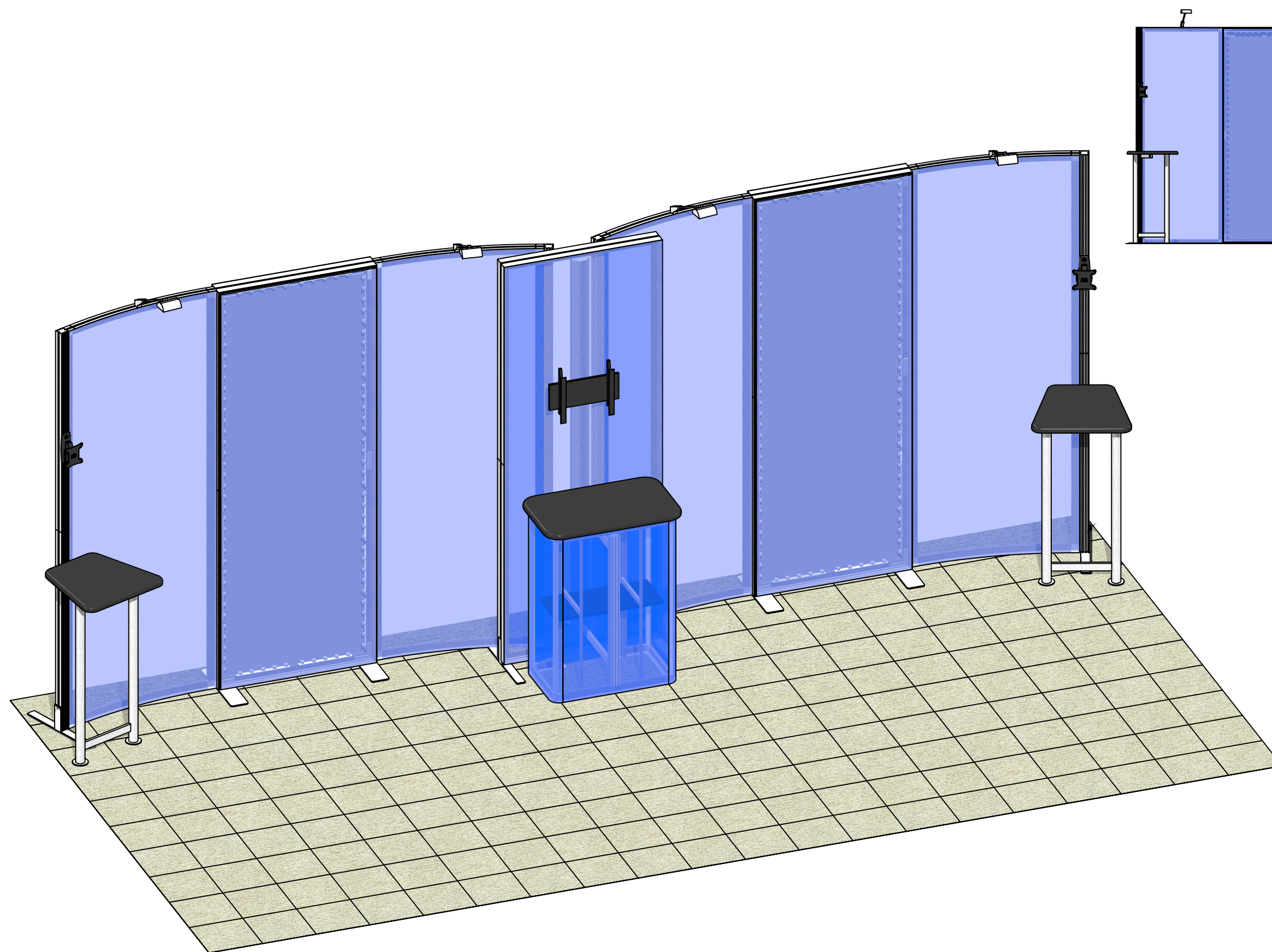
Lights Included: Lumina 200 LED floodlight, straight arm and adjustable head, black finish, 19.5" from end to end

Small monitor brackets hold 13-39" LCD, maximum weight: 50lbs / 22.7 kgs

Medium monitor bracket holds 26-40" LCD, maximum weight: 25lbs / 11.34 kgs

We are continually improving and modifying our product range and reserve the right to vary the specifications without prior notice. All dimensions and weights quoted are approximate and we accept no responsibility for variance. E&OE. See Graphic Templates for graphic bleed specifications.

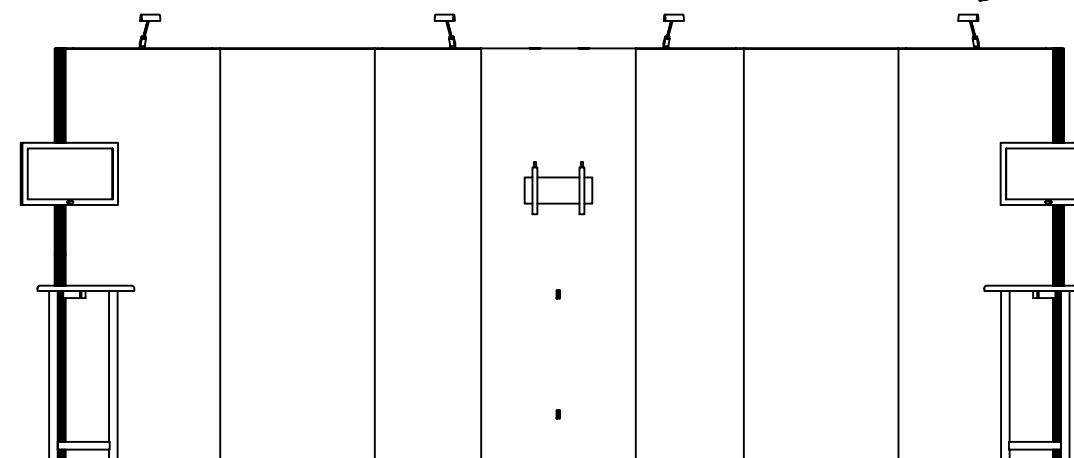
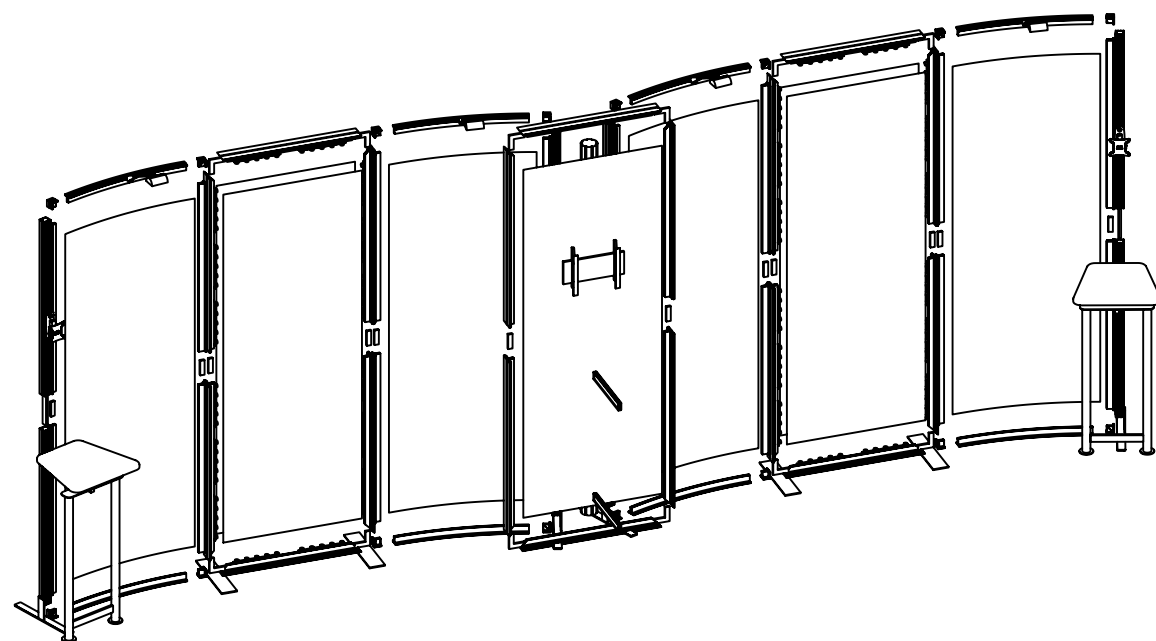
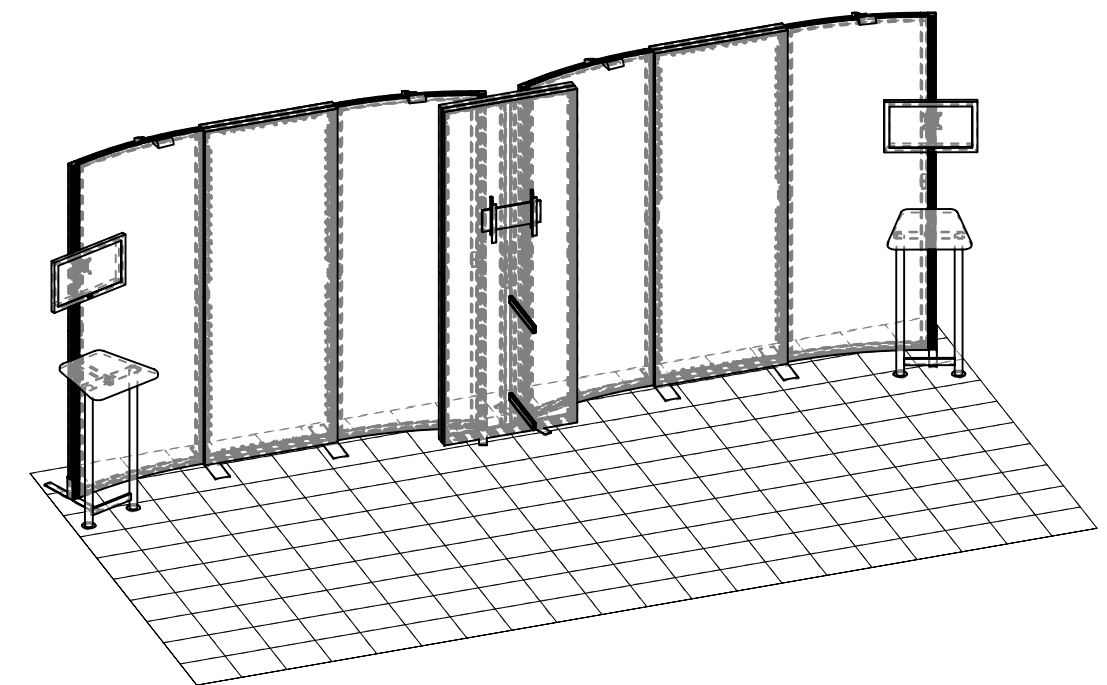
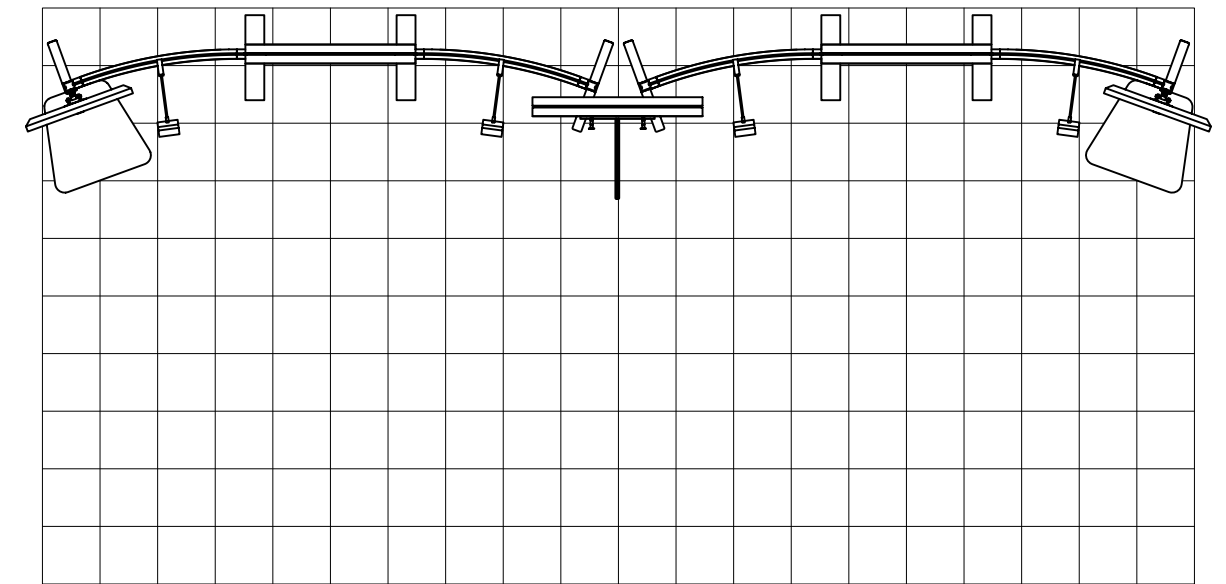
R-HP-K-09



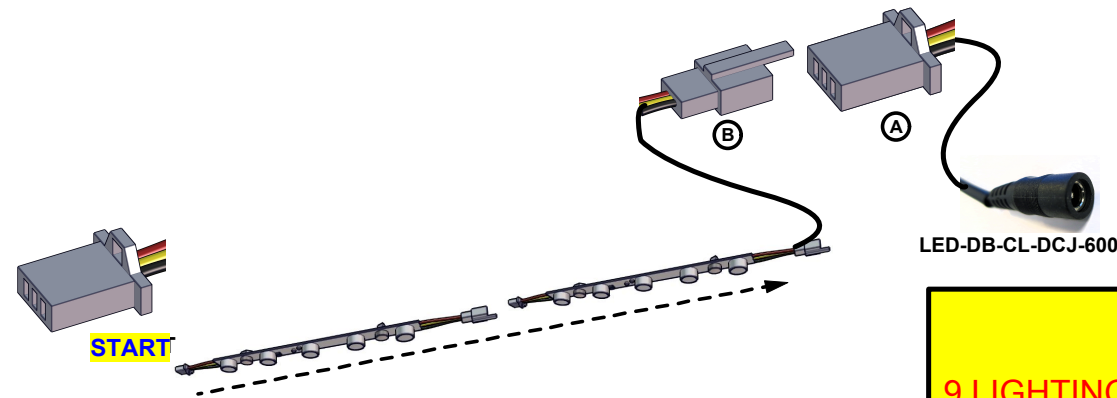
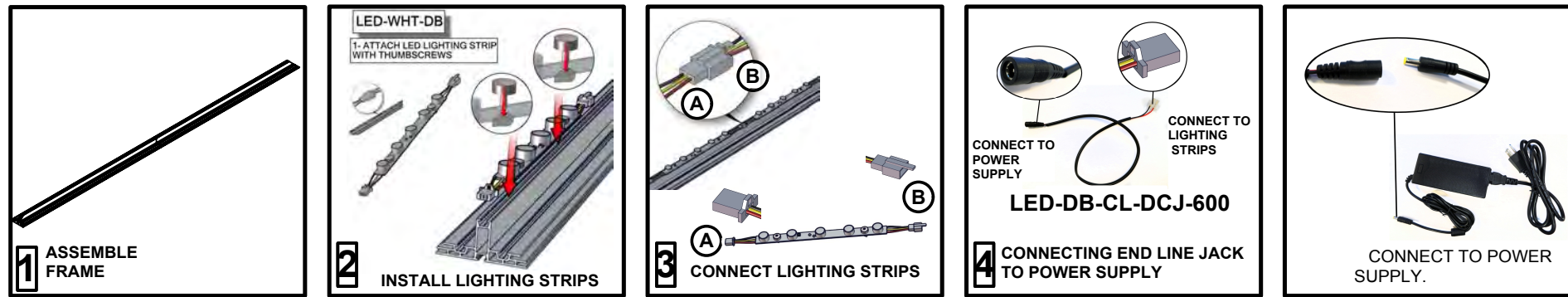
Code	#	Description
UNPRINTED B1	1	94" (H) X 34 15/16" (W) WHITE FABRIC W/ FCE-2 (SEG) ON PERIMETER
UNPRINTED B2	1	94" (H) X 34 15/16" (W) WHITE FABRIC W/ FCE-2 (SEG) ON PERIMETER
LN114-S2-450	4	LINEAR FOOT WITH COUNTERSUNK HOLES, NIKE HAMMERTONE SILVER, 450MM LENGTH
R26	6	900MM (35.43") PHFC4 EXTRUSION WITH MITRE CUT BOTH ENDS
CB9	12	CB9 CORNER BRACKET
IB2	14	INLINE BRACKET CONNECTOR
GRAPHIC B1	1	94.5"H X 35.43"W BACKLIT DYESUB GRAPHIC W/FCE-2 ON PERIMETER
R27	12	1200MM (47.24") PHFC4 EXTRUSION WITH MITRE CUT 1 END FOR CB9 ONE END-IB2 HOLES ONE END
LED-WHT-DB-300	32	300MM (11.81") LENGTH LED LIGHTS FOR DIRECTIONAL BACKLIGHT
V-M-BRACKET-01	2	VM1 MONITOR BRACKET
SM-MB	2	SMALL MONITOR BRACKET
SW-FOOT	4	SMARTWALL SUPPORT FOOT
R24	8	1200MM (47.24") 50MM PM2S SQUARE EXTRUSION WITH STOP AT 155MM
R25	4	PH4SC-300MM (11.81") EXTRUSION WITH TENSION GLIDES
R8	2	300MM (11 13/16") PH WITH LOCKS AT BOTH ENDS
V-LG-05	2	1005MM X 425MM (39 9/16" X 16 3/4") RECTANGLE LEG 50MM CHANNEL
V-WS-CT-01	2	500MM X 538MM (19 11/16" X 21 3/16") TAPERED WORKSTATION TOP
CB9-S	16	50MM SQUARE PHCF2 CORNER BRACKET
R20	8	PHFC2-8R-20 EXTRUSION WITH LOCKS 2 ENDS
R28	16	1155MM (45.47") PHFC2 EXTRUSION WITH IB2 HOLE ONE SIDE-WITH LOCK 1 END WITH SIDE CAM LOCKS
LEDL10S	4	LED SPOTLIGHT,3M,UL PLUG W/TRANSFORMER SILVER
GRAPHIC A1	1	94.5"H X 36.182"W SINGLE SIDED DYESUB GRAPHIC W/FCE-2 ON PERIMETER
GRAPHIC A2	1	94.5"H X 36.182"W SINGLE SIDED DYESUB GRAPHIC W/FCE-2 ON PERIMETER
GRAPHIC B2	1	94.5"H X 35.43"W BACKLIT DYESUB GRAPHIC W/FCE-2 ON PERIMETER
GRAPHIC A4	1	94.5"H X 36.182"W SINGLE SIDED DYESUB GRAPHIC W/FCE-2 ON PERIMETER
GRAPHIC A3	1	94.5"H X 36.182"W SINGLE SIDED DYESUB GRAPHIC W/FCE-2 ON PERIMETER
MM-MB	1	MEDIUM MONITOR BRACKET FOR MONITORS 15"-40"
GRAPHIC C	1	94 1/2" (H) X 35 7/16" (W) BACKLIT DYESUB GRAPHIC W/ FCE-2 (SEG) ON PERIMETER
R12	2	1155MM (45.47") 100MM PM4R8 ROUND EXTRUSION WITH LOCKS 1 END WITH PH2 STOP AT 155MM
R14	1	300MM (11.81") PM4D CONNECTOR WITH TENSION GLIDES
R63	2	432MM (17.00") PH EXTRUSION WITH LOCKS 2 ENDS

BOM

R-HP-K-09

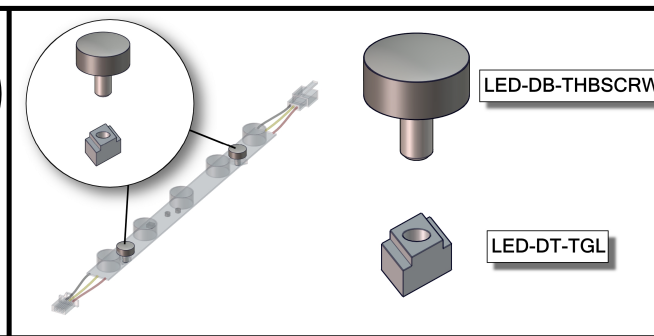
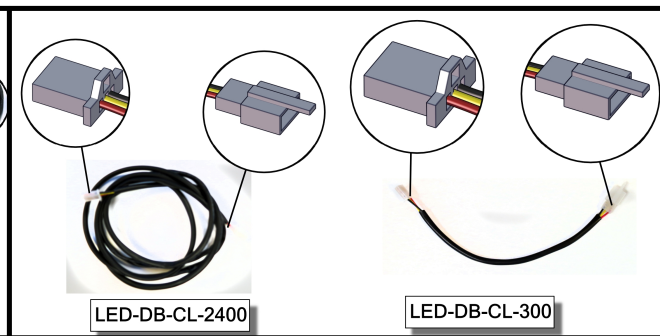
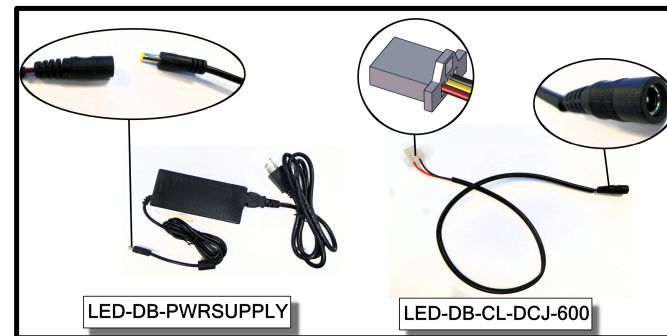


LED-WHT-DB-300 LIGHTS



IMPORTANT!
9 LIGHTING STRIPS MAXIMUM
PER POWER SUPPLY

END LINE CONNECTORS & POWER SUPPLY



EXTENSION CORDS

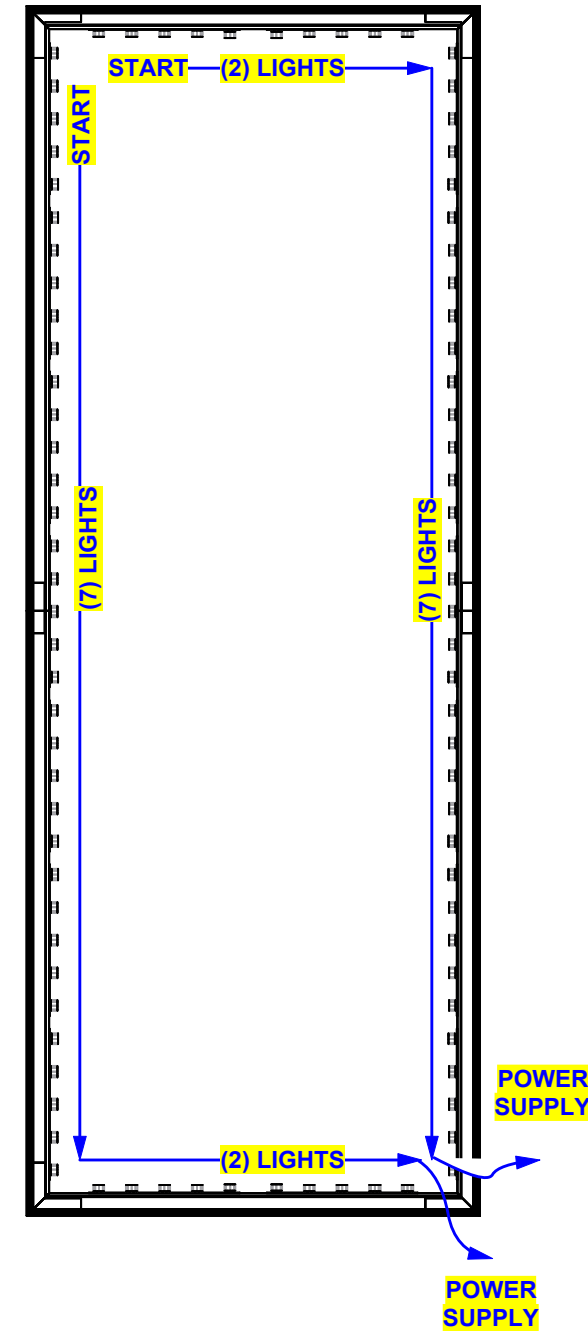
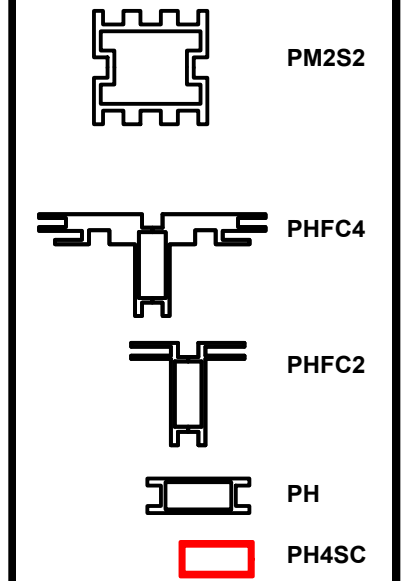
HARDWARE

1. Redesign of this exhibit without approval by manufacturer may result in dangerous and unsafe structures. Manufacturer disclaims any responsibility for redesigned exhibits it does not approve in writing.

2. Parts and components such as panels and extrusions are manufactured to metric sizing. Where ever possible sizes have been noted in feet and inches as well as in metric. Below is the imperial to metric sizing table as reference. "Nominal" refers to approximate size.

2400mm = (94 1/2")	Phone Line / Fax
2100mm = (82 5/8")	Internet connection
1800mm = (70 7/8")	Outlet
1500mm = (59")	Main Drop (point of distrution)
1200mm = (47 1/4")	
900mm = (35 1/2")	
600mm = (23 5/8")	
300mm = (11 7/8")	

--- Wire running under carpet

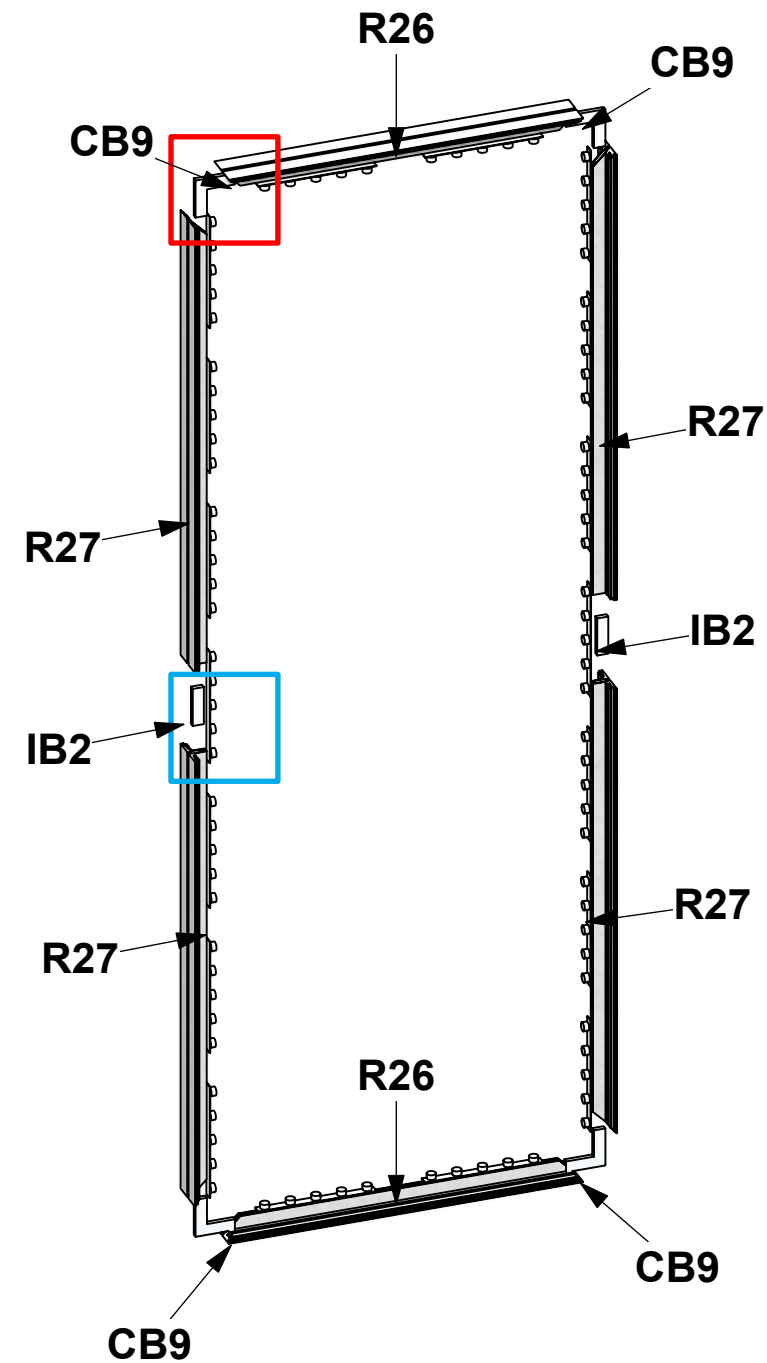
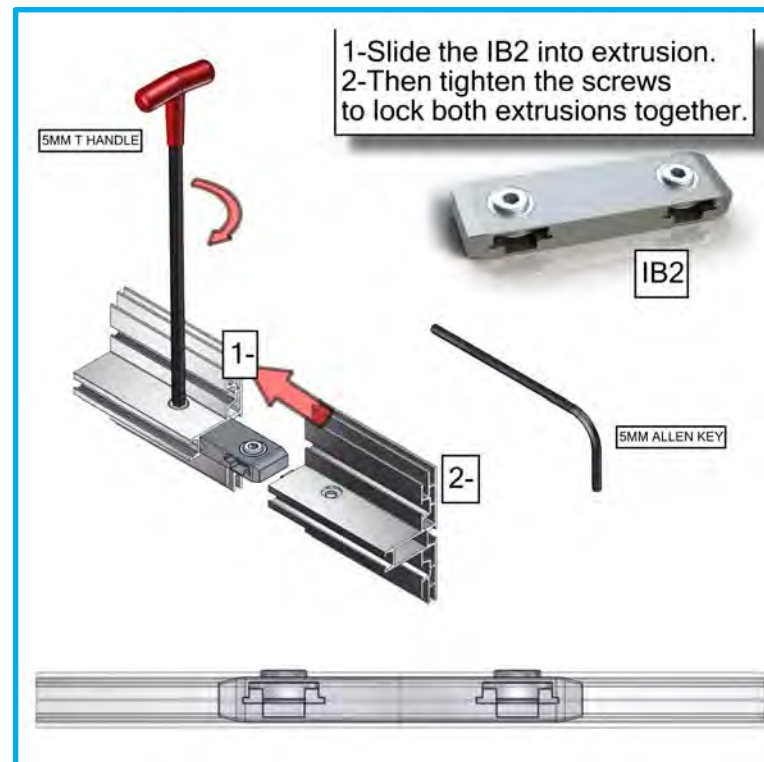
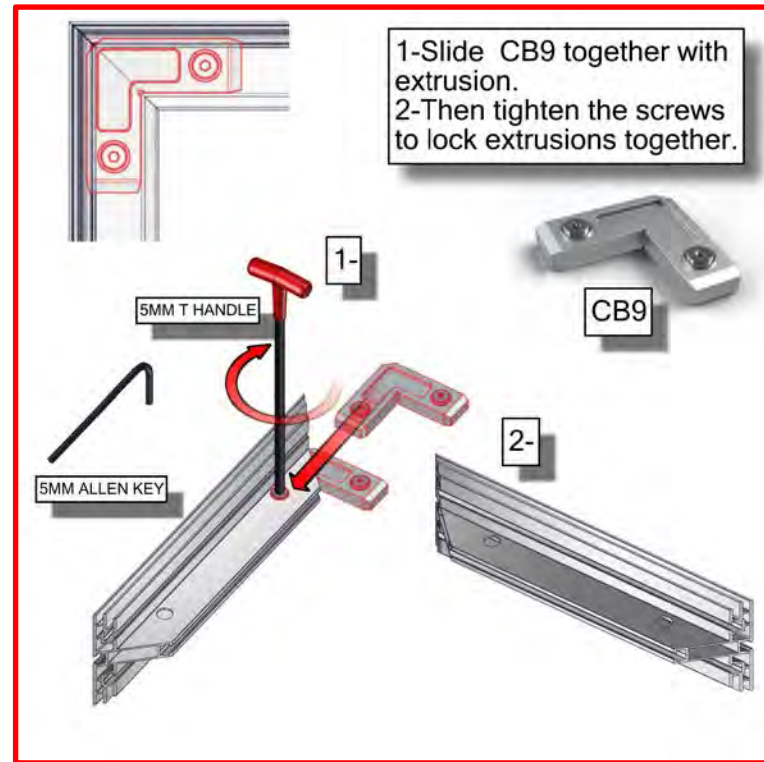
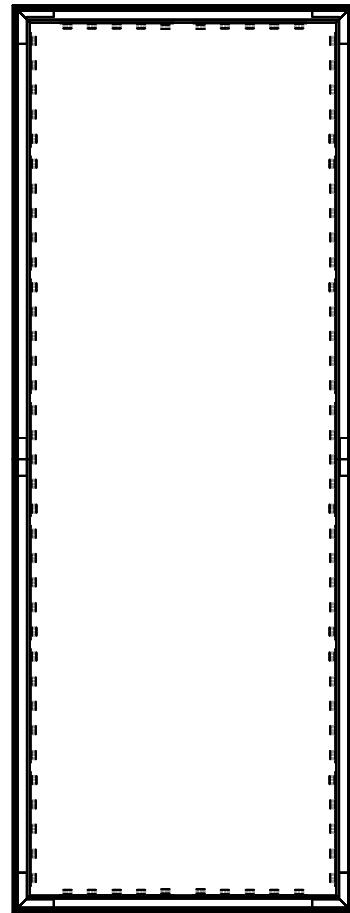


HYBRID PRO RENTAL KIT

Title: SET-UP INSTRUCTIONS

BUILD 2 UNITS

Code	#	Description
R26	4	900MM (35.43") PHFC4 EXTRUSION WITH MITRE CUT BOTH ENDS
CB9	8	CB9 CORNER BRACKET
IB2	4	INLINE BRACKET CONNECTOR
R27	8	1200MM (47.24") PHFC4 EXTRUSION WITH MITRE CUT 1 END FOR CB9 ONE END-IB2 HOLES ONE EN
LED-WHT-DB-300	36	300MM (11.81") LENGTH LED LIGHTS FOR DIRECTIONAL BACKLIGHT

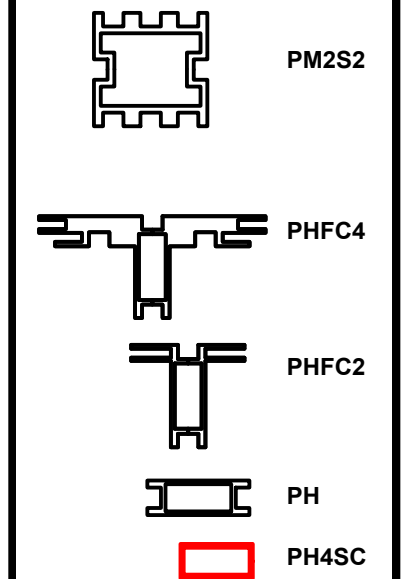


1. Redesign of this exhibit without approval by manufacturer may result in dangerous and unsafe structures. Manufacturer disclaims any responsibility for redesigned exhibits it does not approve in writing.

2. Parts and components such as panels and extrusions are manufactured to metric sizing. Where ever possible sizes have been noted in feet and inches as well as in metric. Below is the imperial to metric sizing table as reference. *Nominal* refers to approximate size.

2400mm = (94 1/2")	Phone Line / Fax
2100mm = (82 5/8")	Internet connection
1800mm = (70 7/8")	Outlet
1500mm = (59")	Main Drop (point of distrution)
1200mm = (47 1/4")	
900mm = (35 1/2")	
600mm = (23 5/8")	
300mm = (11 7/8")	

--- Wire running under carpet



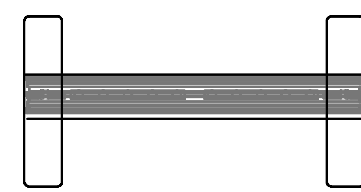
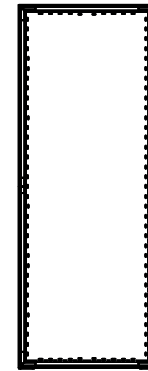
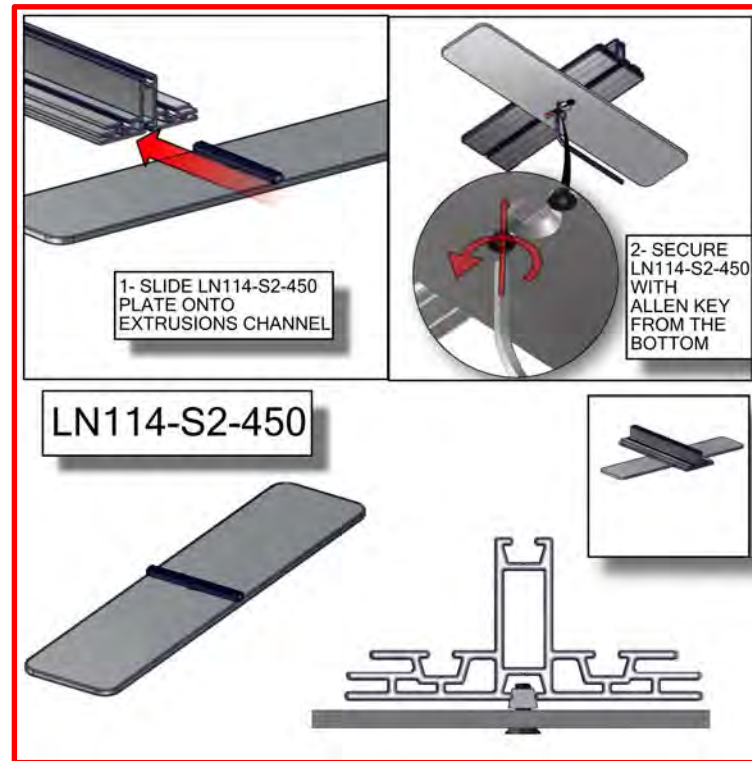
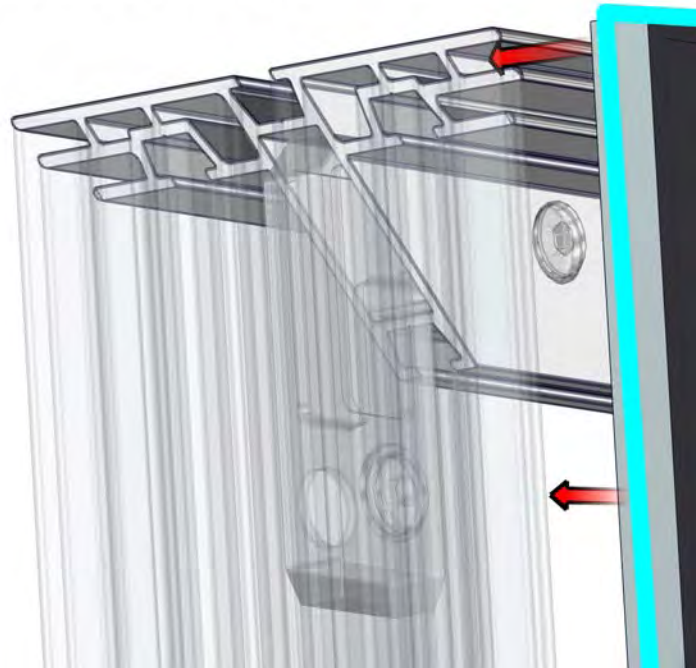
HYBRID PRO RENTAL KIT

Title: SET-UP INSTRUCTIONS

BUILD 2 UNITS

Code	#	Description
LN114-S2-450	4	APPROX. 450MM X 100MM POWDER-COATED STEEL BASE PLATE
GRAPHIC B	1	94.5"H X 35.43"W BACKLIT DYESUB GRAPHIC W/FCE-2 ON PERIMETER
UNPRINTED B	1	94.5"H X 32.43"W WHITE FABRIC W/FCE-2 ON PERIMETER
GRAPHIC B2	1	94.5"H X 35.43"W BACKLIT DYESUB GRAPHIC W/FCE-2 ON PERIMETER
UNPRINTED B2	1	94.5"H X 32.43"W WHITE FABRIC W/FCE-2 ON PERIMETER

FCE-2 TO PHFC4

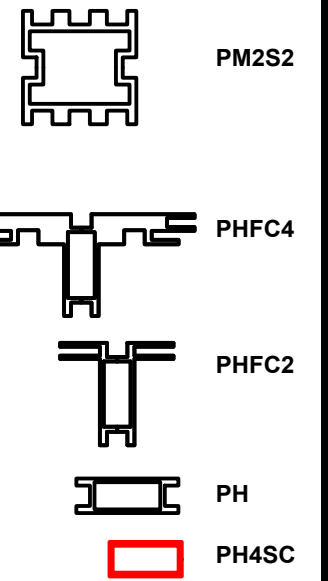


1. Redesign of this exhibit without approval by manufacturer may result in dangerous and unsafe structures. Manufacturer disclaims any responsibility for redesigned exhibits it does not approve in writing.

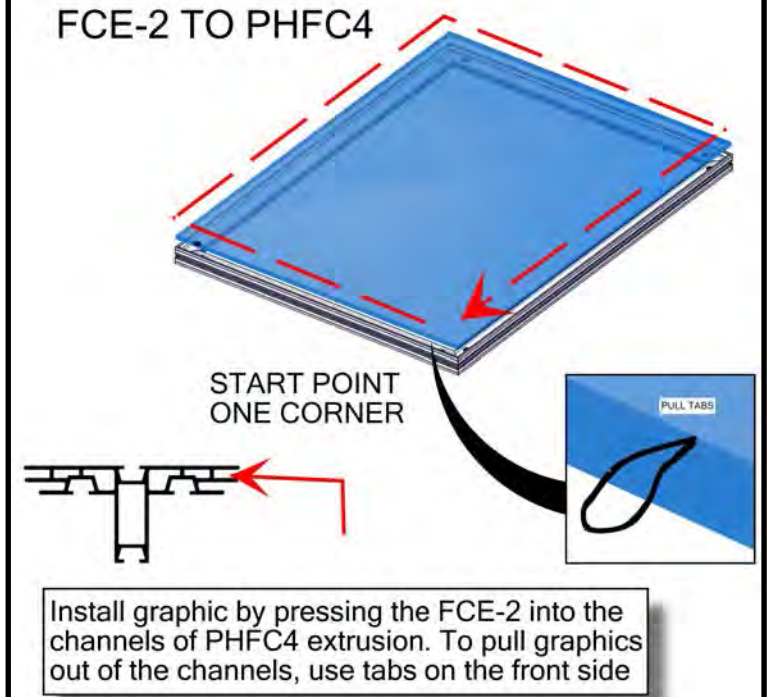
2. Parts and components such as panels and extrusions are manufactured to metric sizing. Where ever possible sizes have been noted in feet and inches as well as in metric. Below is the imperial to metric sizing table as reference. "Nominal" refers to approximate size.

2400mm = (94 1/2")	Phone Line / Fax
2100mm = (82 5/8")	Internet connection
1800mm = (70 7/8")	Outlet
1500mm = (59")	Main Drop (point of distrution)
1200mm = (47 1/4")	
900mm = (35 1/2")	
600mm = (23 5/8")	
300mm = (11 7/8")	

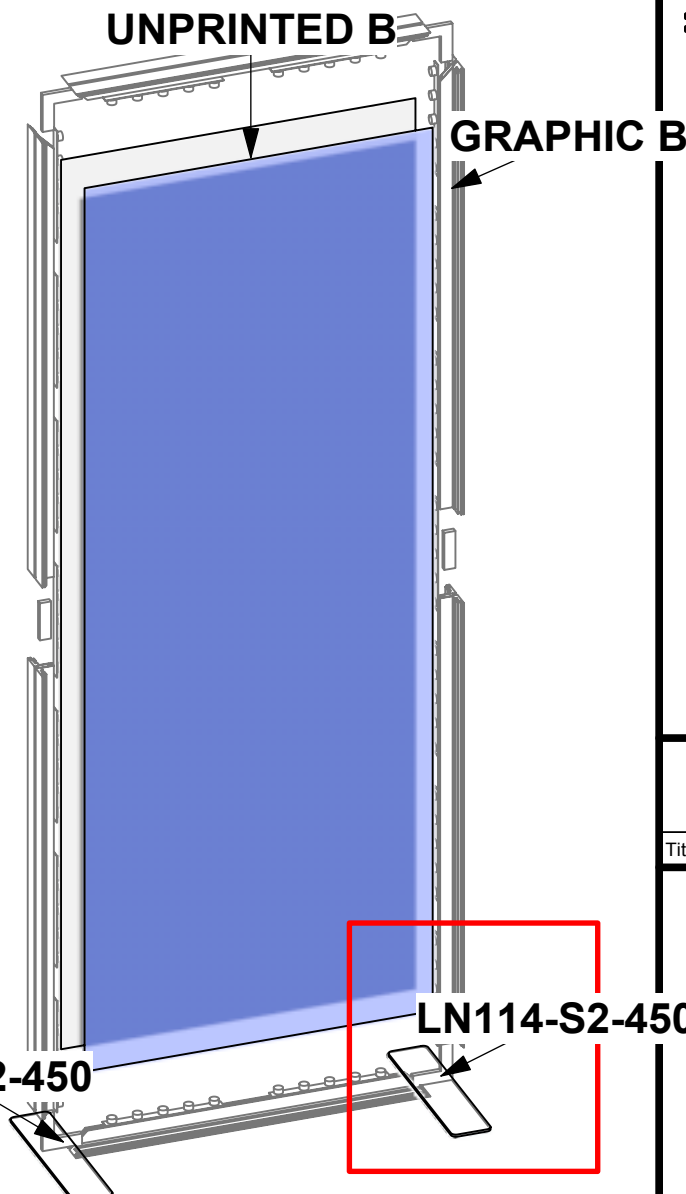
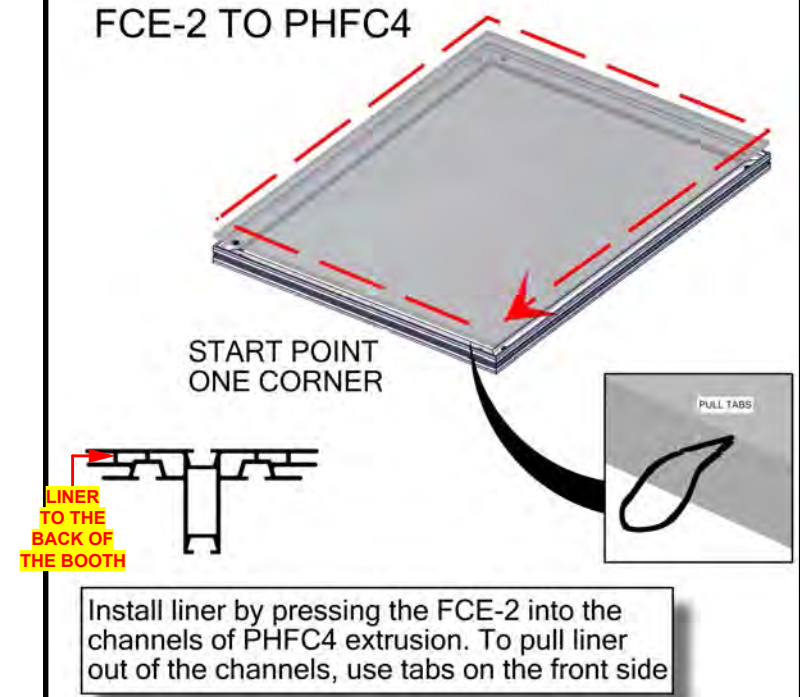
--- Wire running under carpet



FCE-2 TO PHFC4



FCE-2 TO PHFC4



HYBRID PRO RENTAL KIT

Title: SET-UP INSTRUCTIONS

BUILD 2 UNITS

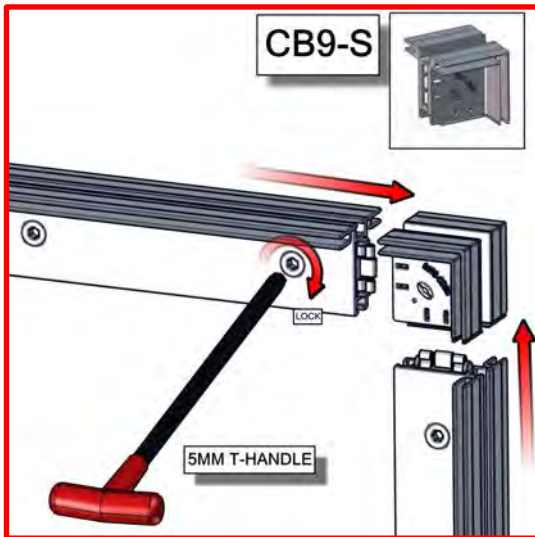
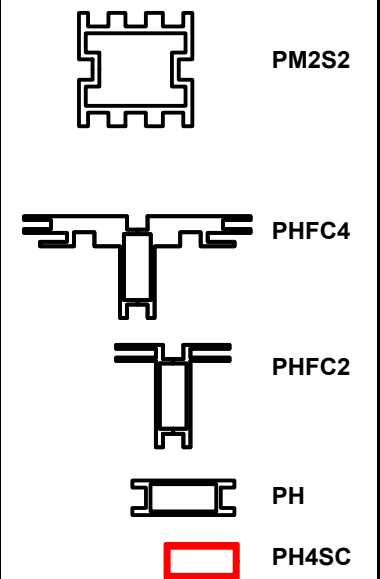
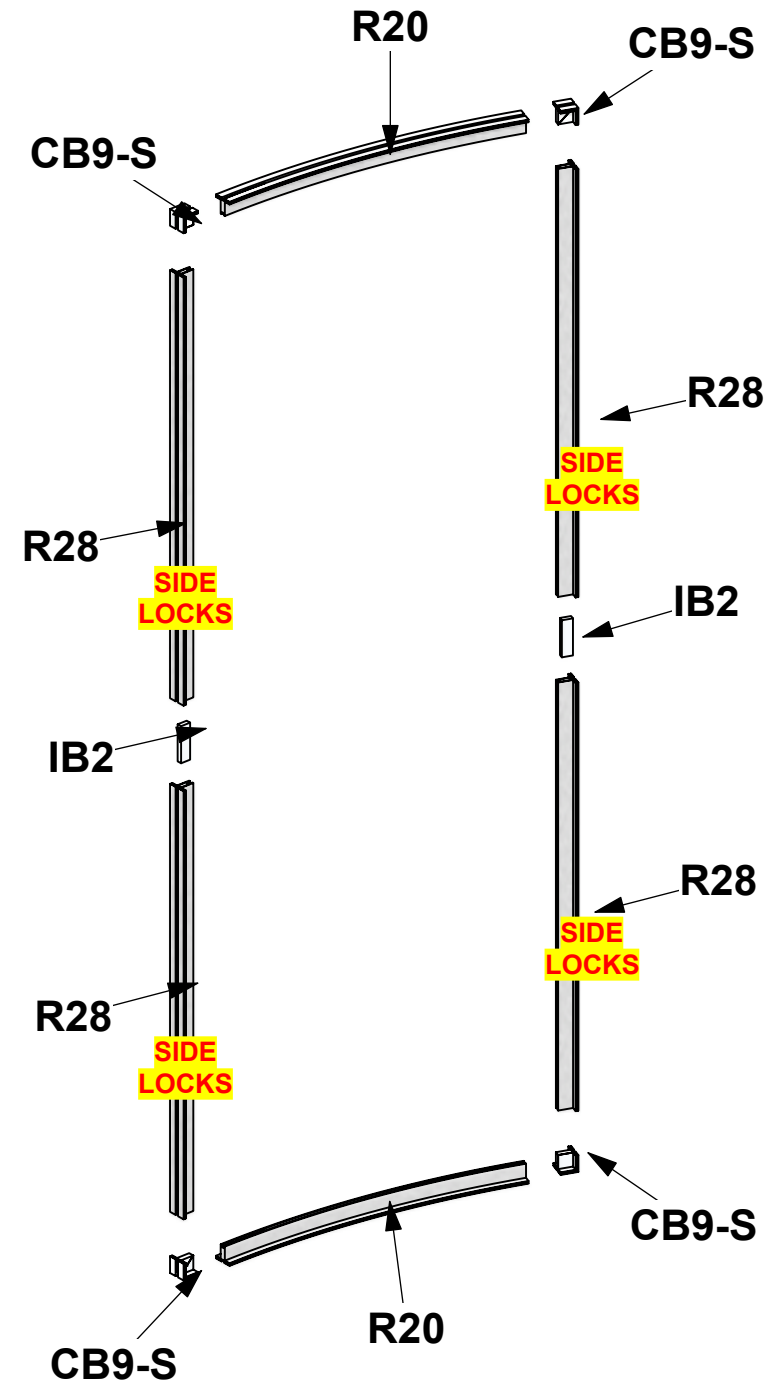
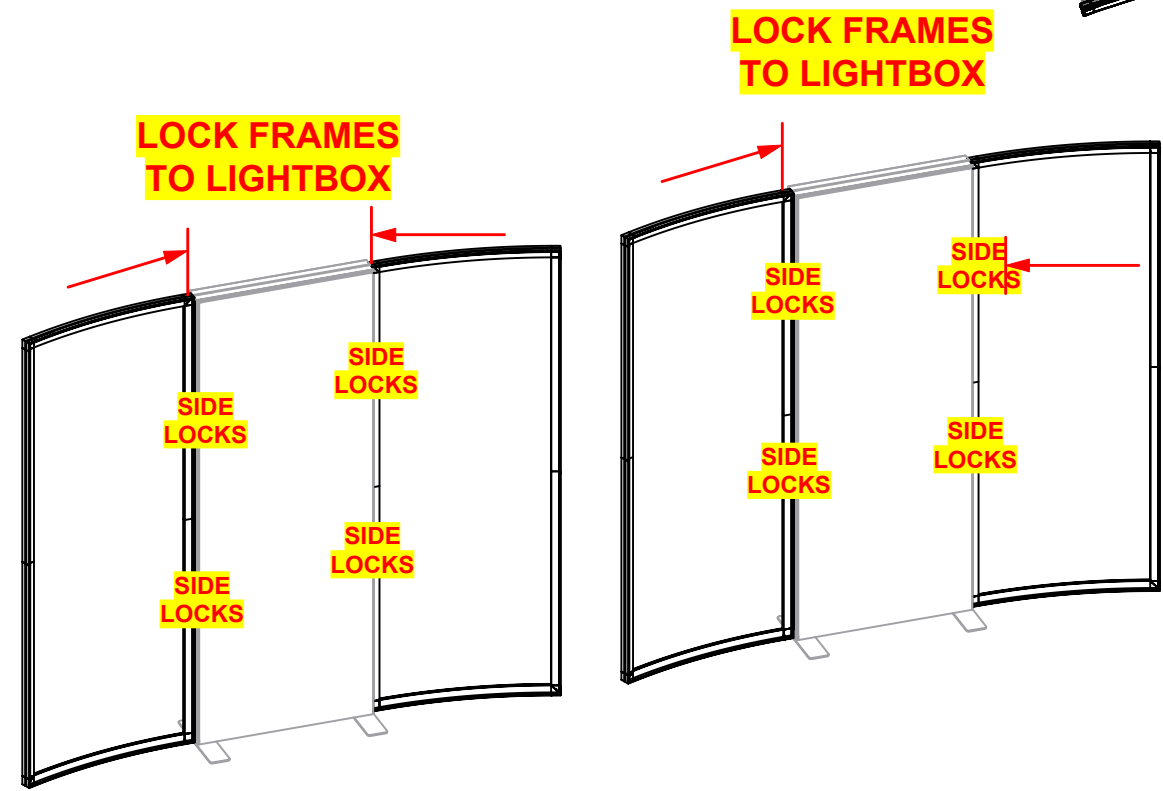
Code	#	Description
CB9-S	16	50MM SQUARE PHCF2 CORNER BRACKET
R20	8	PHFC2-8R-20 EXTRUSION WITH LOCKS 2 ENDS
R28	16	1155MM (45.47") PHFC2 EXTRUSION WITH IB2 HOLE ONE SIDE-WITH LOCK 1 END
IB2	8	INLINE BRACKET CONNECTOR

1. Redesign of this exhibit without approval by manufacturer may result in dangerous and unsafe structures. Manufacturer disclaims any responsibility for redesigned exhibits it does not approve in writing.

2. Parts and components such as panels and extrusions are manufactured to metric sizing. Where ever possible sizes have been noted in feet and inches as well as in metric. Below is the imperial to metric sizing table as reference. "Nominal" refers to approximate size.

2400mm = (94 1/2")	Phone Line / Fax
2100mm = (82 5/8")	Internet connection
1800mm = (70 7/8")	Outlet
1500mm = (59")	Main Drop (point of distrution)
1200mm = (47 1/4")	
900mm = (35 1/2")	
600mm = (23 5/8")	
300mm = (11 7/8")	

--- Wire running under carpet



HYBRID PRO RENTAL KIT

Title: SET-UP INSTRUCTIONS

BUILD 4 UNITS

Code	#	Description
GRAPHIC A1	1	94.5"H X 36.182"W SINGLE SIDED DYESUB GRAPHIC W/FCE-2 ON PERIMETER
GRAPHIC A2	1	94.5"H X 36.182"W SINGLE SIDED DYESUB GRAPHIC W/FCE-2 ON PERIMETER
GRAPHIC A4	1	94.5"H X 36.182"W SINGLE SIDED DYESUB GRAPHIC W/FCE-2 ON PERIMETER
GRAPHIC A3	1	94.5"H X 36.182"W SINGLE SIDED DYESUB GRAPHIC W/FCE-2 ON PERIMETER

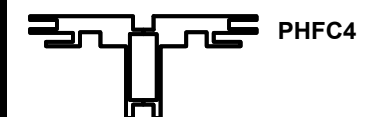
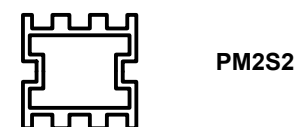
1. Redesign of this exhibit without approval by manufacturer may result in dangerous and unsafe structures. Manufacturer disclaims any responsibility for redesigned exhibits it does not approve in writing.

2. Parts and components such as panels and extrusions are manufactured to metric sizing. Where ever possible sizes have been noted in feet and inches as well as in metric. Below is the imperial to metric sizing table as reference. "Nominal" refers to approximate size.

- 2400mm = (94 1/2")
- 2100mm = (82 5/8")
- 1800mm = (70 7/8")
- 1500mm = (59")
- 1200mm = (47 1/4")
- 900mm = (35 1/2")
- 600mm = (23 5/8")
- 300mm = (11 7/8")

- ☒ Phone Line / Fax
- ☒ Internet connection
- ☒ Outlet
- ☒ Main Drop (point of distrution)

--- Wire running under carpet

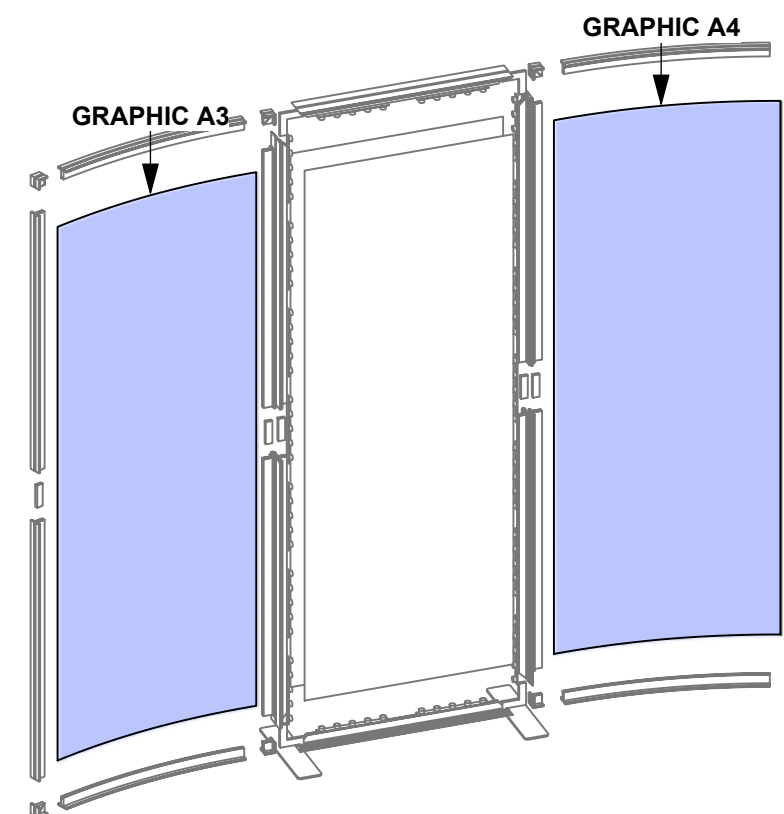
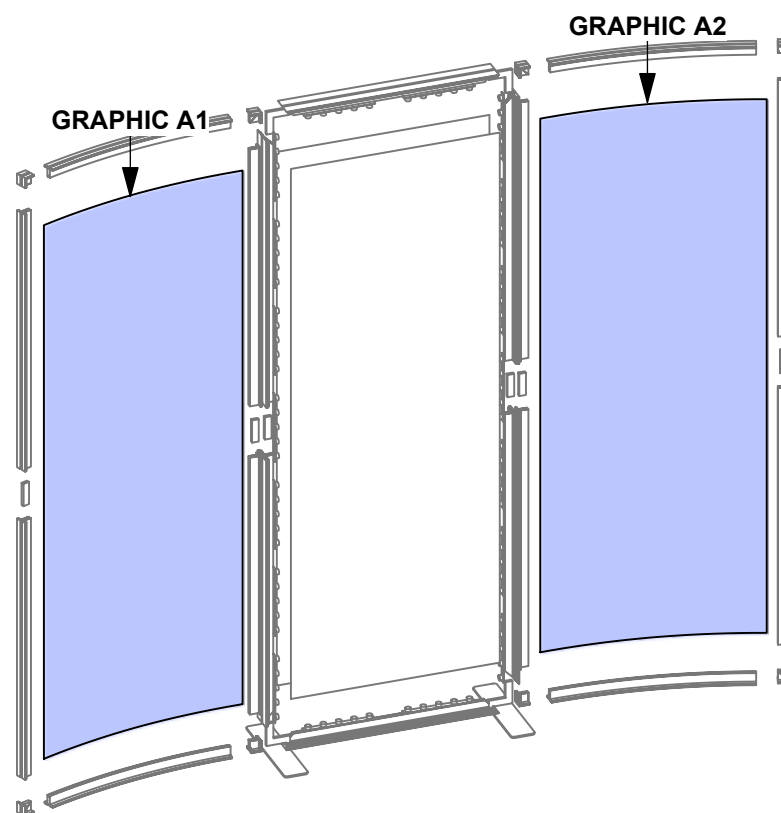


FCE-2 TO PHFC4

START POINT ONE CORNER

PULL TABS

Install graphic by pressing the FCE-2 into the channels of PHFC4 extrusion. To pull graphics out of the channels, use tabs on the front side



HYBRID PRO RENTAL KIT

Title: SET-UP INSTRUCTIONS

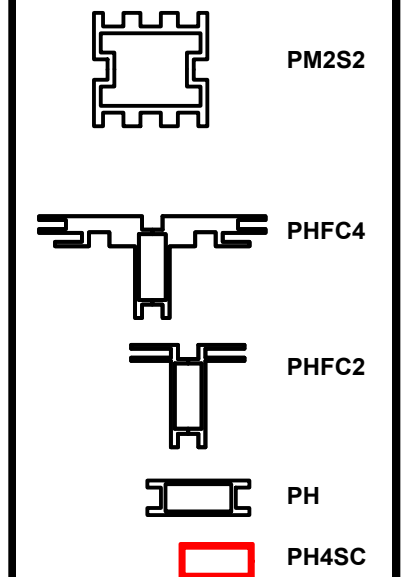
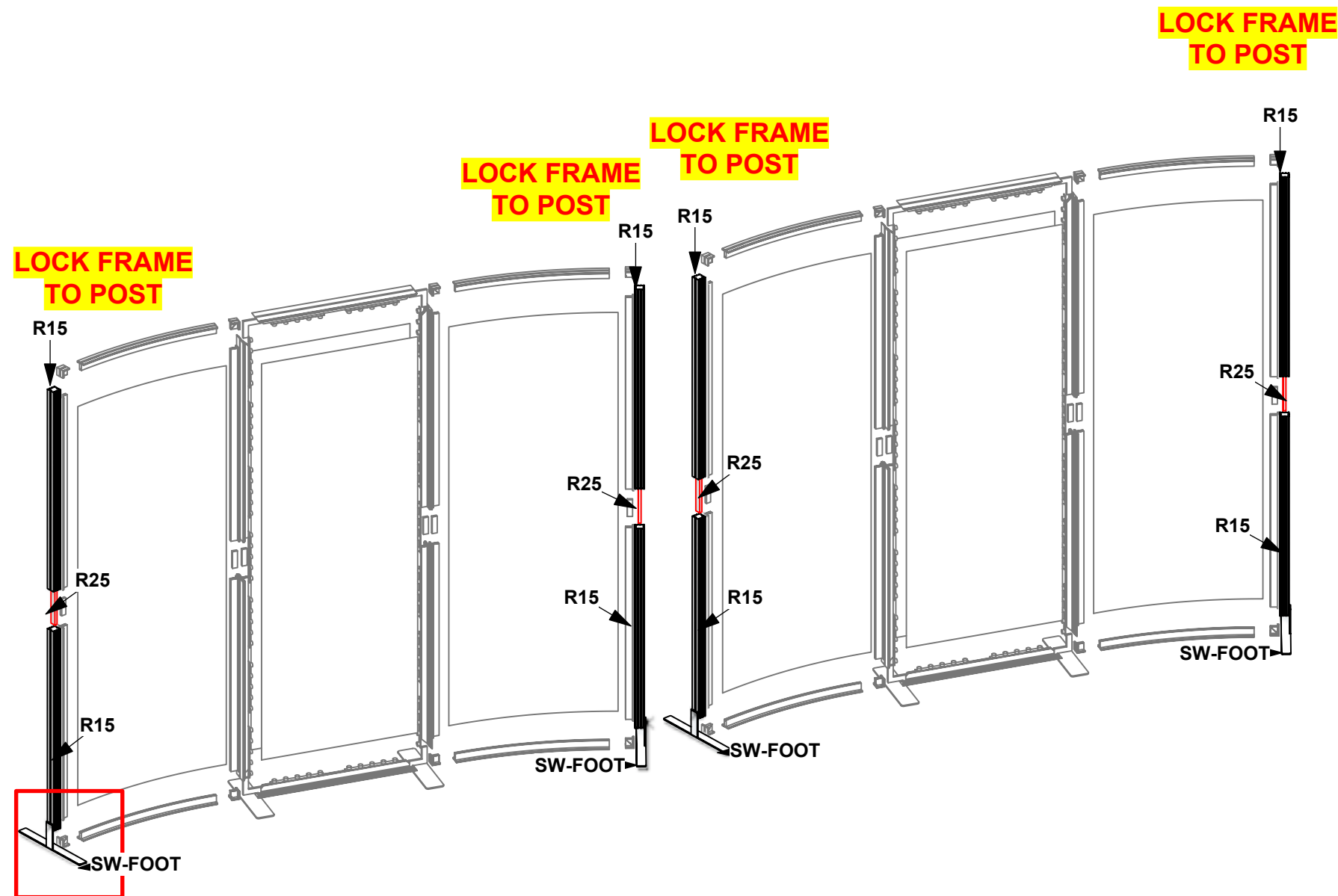
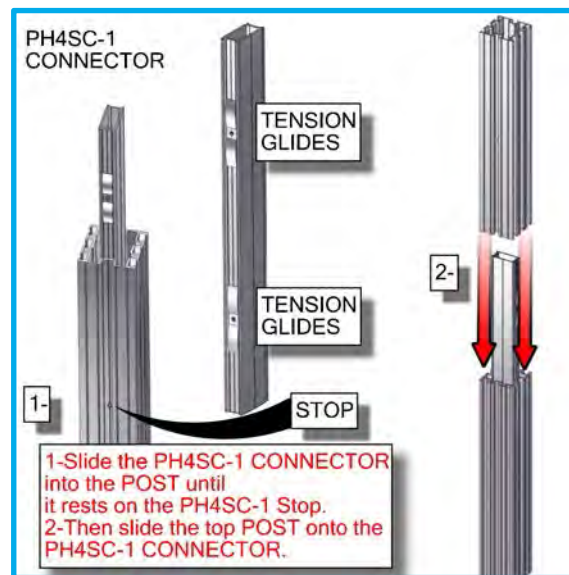
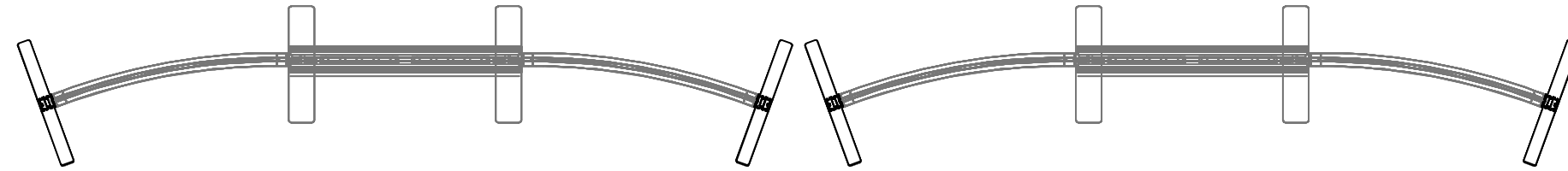
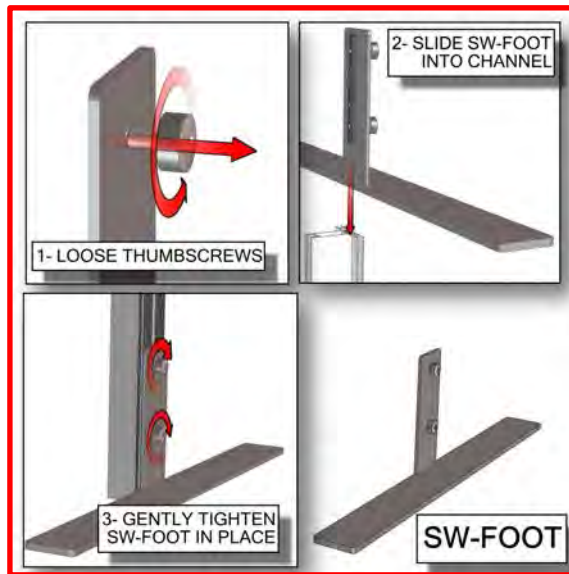
Code	#	Description
SW-FOOT	4	SMARTWALL SUPPORT FOOT
R15	8	1200MM (47.24") 50MM50MM PM2S SQUARE EXTRUSION WITH STOP AT 155MM
R25	4	PH4SC-300MM (11.81") EXTRUSION WITH TENSION GLIDES

1. Redesign of this exhibit without approval by manufacturer may result in dangerous and unsafe structures. Manufacturer disclaims any responsibility for redesigned exhibits it does not approve in writing.

2. Parts and components such as panels and extrusions are manufactured to metric sizing. Where ever possible sizes have been noted in feet and inches as well as in metric. Below is the imperial to metric sizing table as reference. "Nominal" refers to approximate size.

2400mm = (94 1/2")	Phone Line / Fax
2100mm = (82 5/8")	Internet connection
1800mm = (70 7/8")	Outlet
1500mm = (59")	Main Drop (point of distrution)
1200mm = (47 1/4")	
900mm = (35 1/2")	
600mm = (23 5/8")	
300mm = (11 7/8")	

--- Wire running under carpet



HYBRID PRO RENTAL KIT

Title: SET-UP INSTRUCTIONS

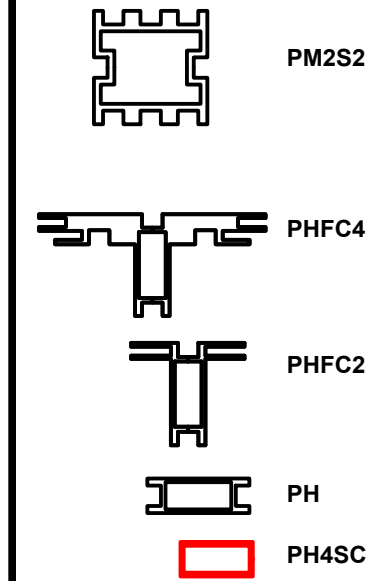
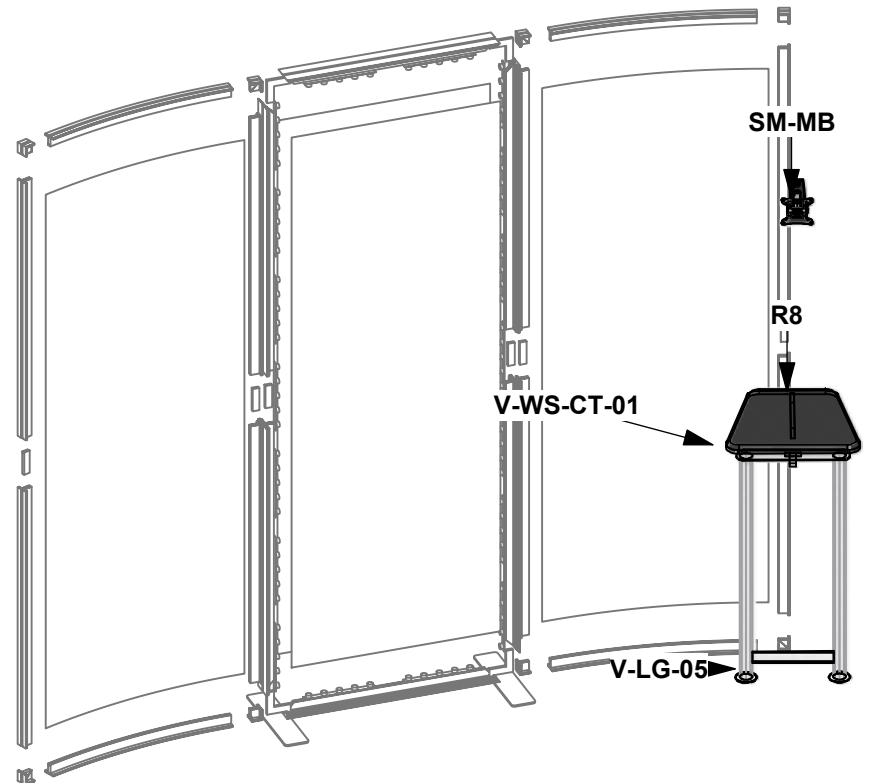
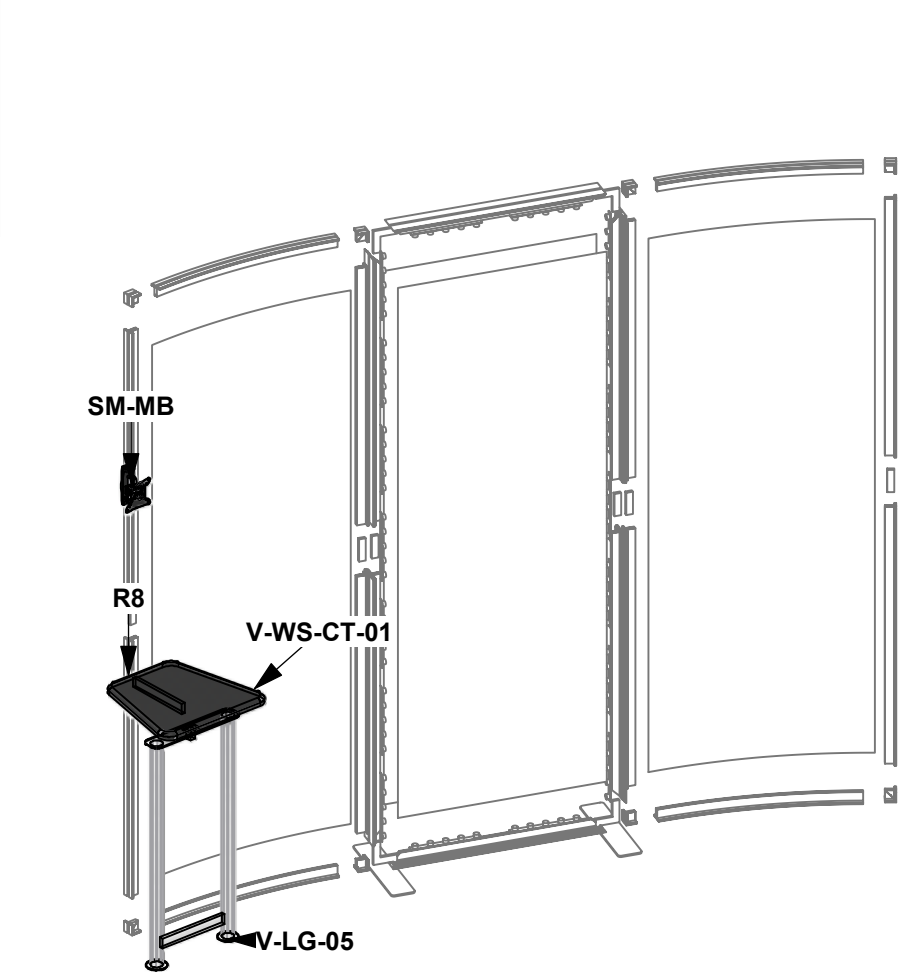
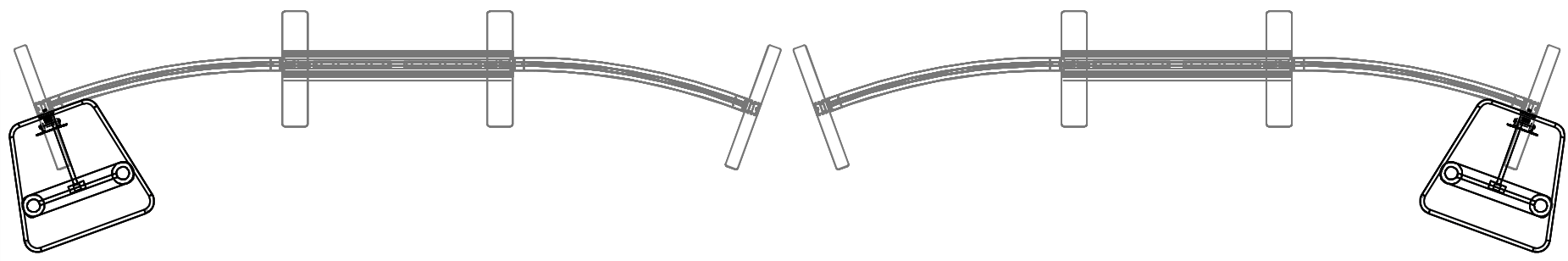
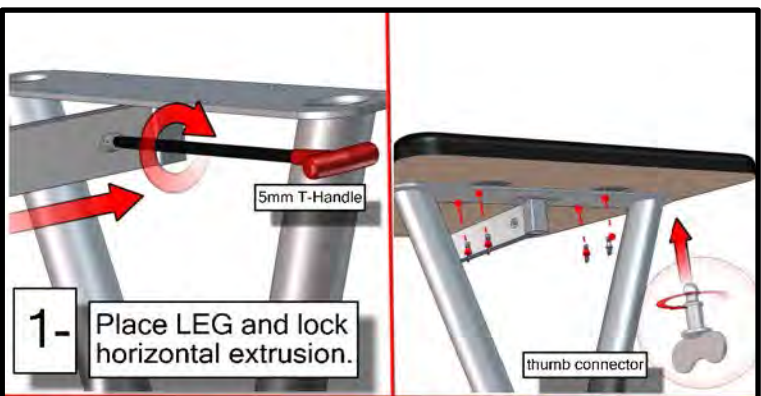
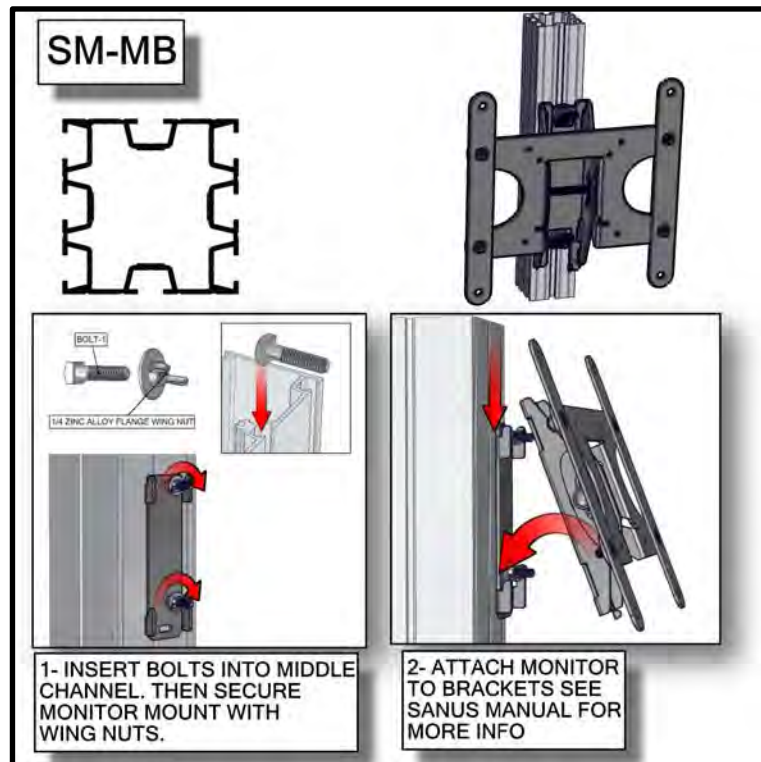
Code	#	Description
V-M-BRACKET-01	2	VM1 MONITOR BRACKET
SM-MB	2	SMALL MONITOR BRACKET
R8	2	300MM (11 13/16") PH WITH SLIDE LOCK AT BOTH ENDS
V-LG-05	2	1005MM X 425MM (39 9/16" X 16 3/4") RECTANGLE LEG 50MM CHANNEL
V-WS-CT-01	2	500MM X 538MM (19 11/16" X 21 3/16") TAPERED WORKSTATION TOP

1. Redesign of this exhibit without approval by manufacturer may result in dangerous and unsafe structures. Manufacturer disclaims any responsibility for redesigned exhibits it does not approve in writing.

2. Parts and components such as panels and extrusions are manufactured to metric sizing. Where ever possible sizes have been noted in feet and inches as well as in metric. Below is the imperial to metric sizing table as reference. "Nominal" refers to approximate size.

2400mm = (94 1/2")	Phone Line / Fax
2100mm = (82 5/8")	Internet connection
1800mm = (70 7/8")	Outlet
1500mm = (59")	Main Drop (point of distrution)
1200mm = (47 1/4")	
900mm = (35 1/2")	
600mm = (23 5/8")	
300mm = (11 7/8")	

--- Wire running under carpet



HYBRID PRO RENTAL KIT

Title: SET-UP INSTRUCTIONS

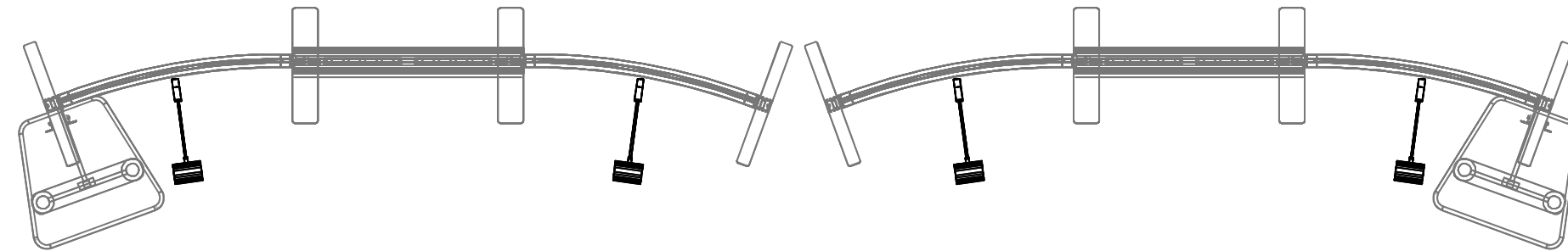
Code	#	Description
LEDL10B	4	LED SPOTLIGHT,3M,UL PLUG W/TRANSFORMER BLACK

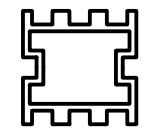
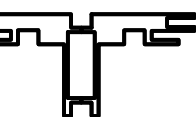
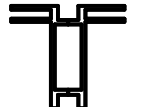


1. Redesign of this exhibit without approval by manufacturer may result in dangerous and unsafe structures. Manufacturer disclaims any responsibility for redesigned exhibits it does not approve in writing.

2. Parts and components such as panels and extrusions are manufactured to metric sizing. Where ever possible sizes have been noted in feet and inches as well as in metric. Below is the imperial to metric sizing table as reference. "Nominal" refers to approximate size.

2400mm = (94 1/2")	☒ Phone Line / Fax
2100mm = (82 5/8")	☒ Internet connection
1800mm = (70 7/8")	☒ Outlet
1500mm = (59")	☒ Main Drop (point of distrution)
1200mm = (47 1/4")	
900mm = (35 1/2")	
600mm = (23 5/8")	
300mm = (11 7/8")	

--- Wire running under carpet

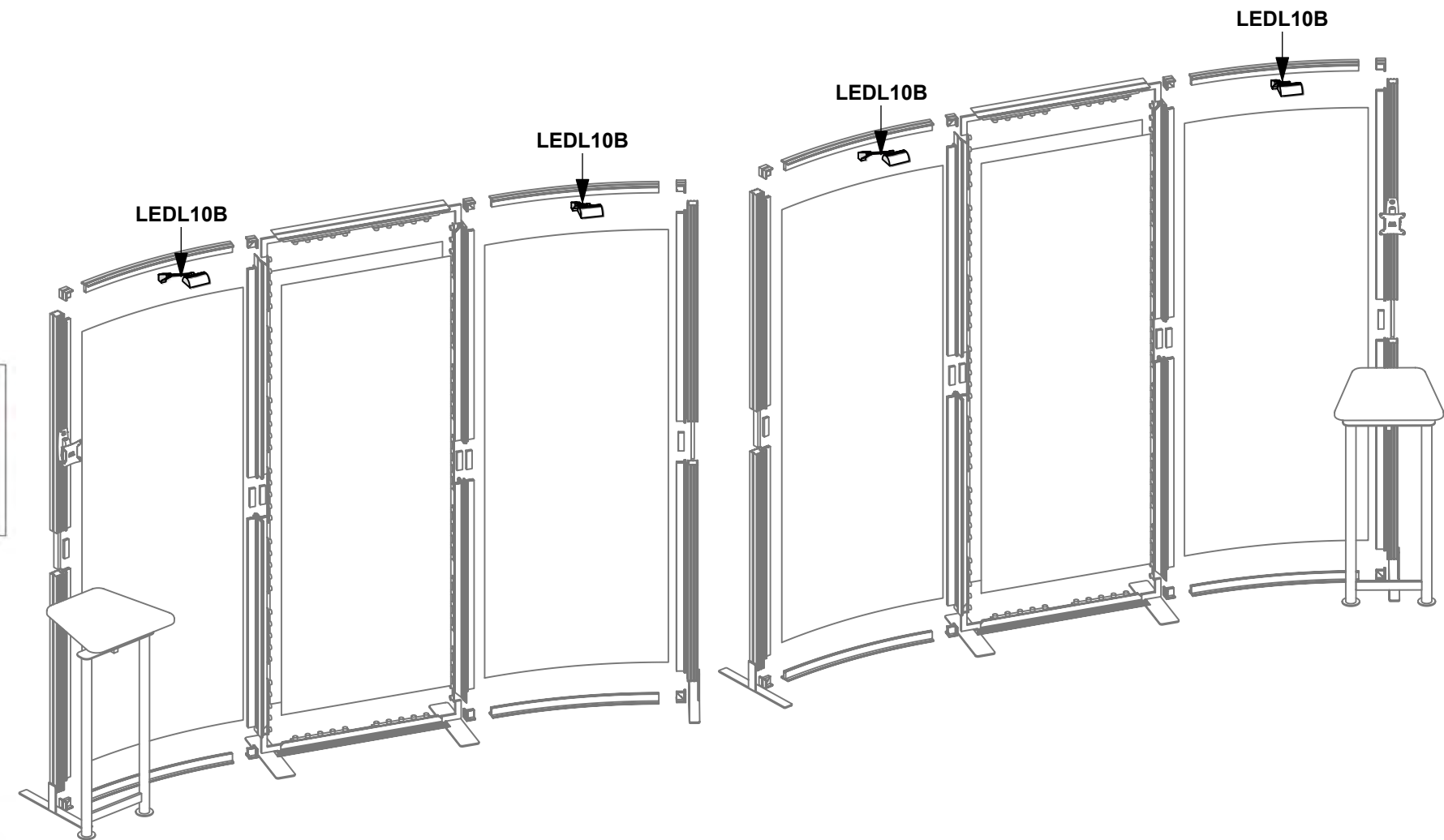


-  PM2S2
-  PHFC4
-  PHFC2
-  PH
-  PH4SC

LIGHT



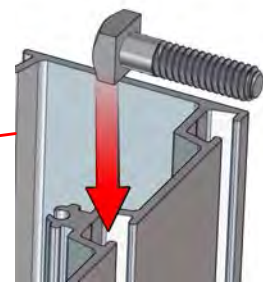
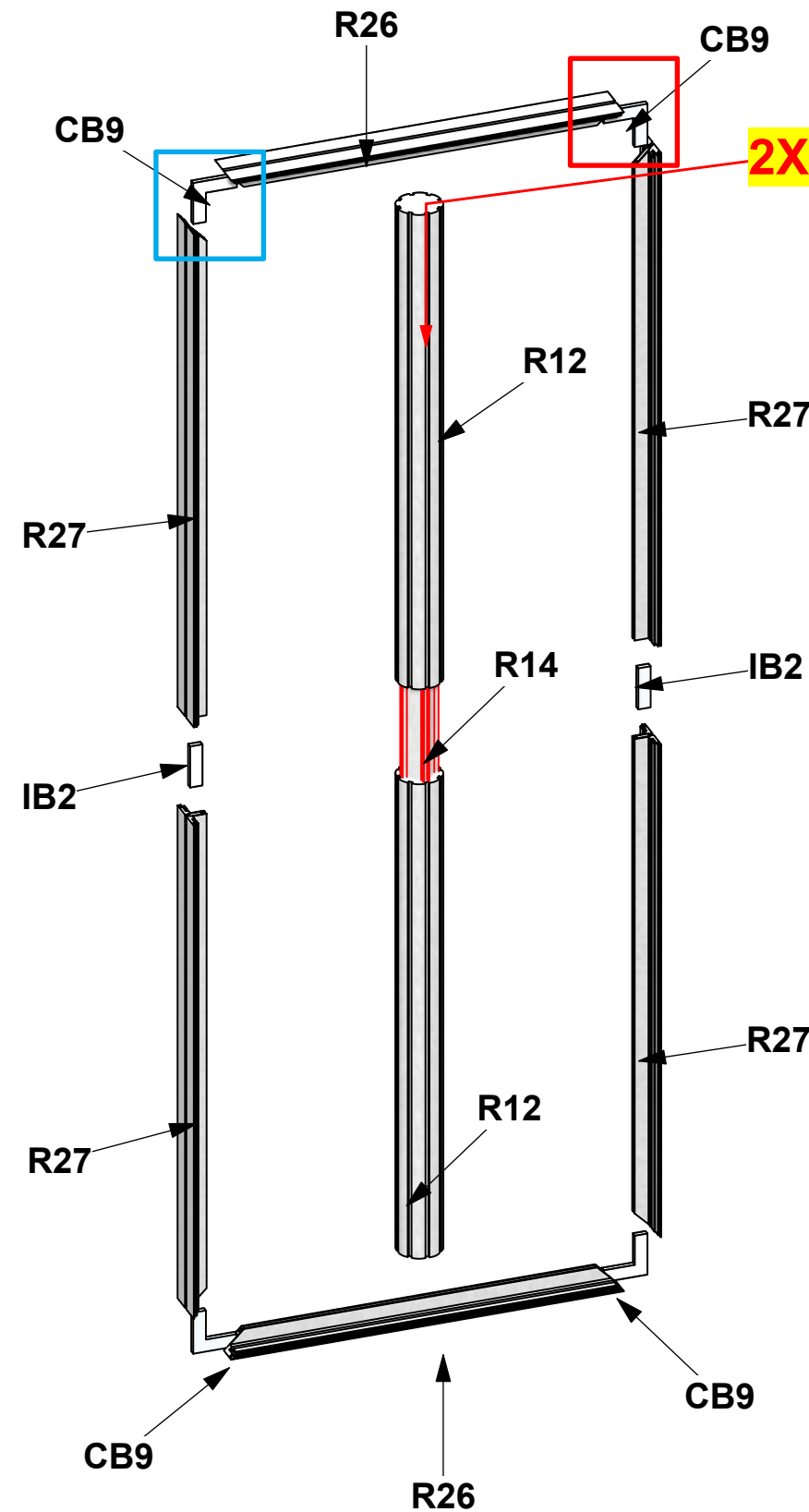
1- Slide light clip onto the LIGHT.
 2-Then slide the LIGHT into the channel at an angle and then gently lower down.



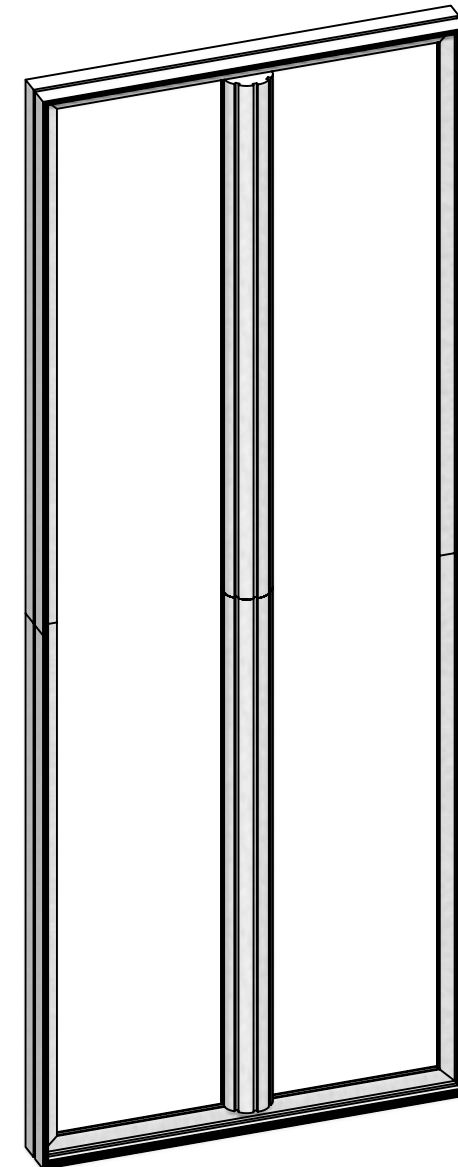
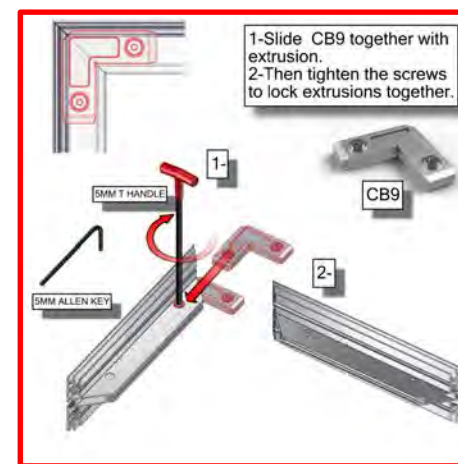
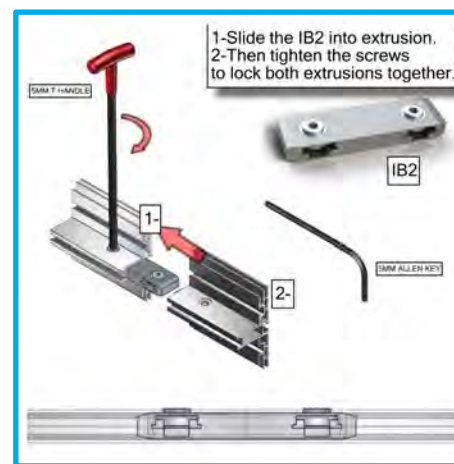
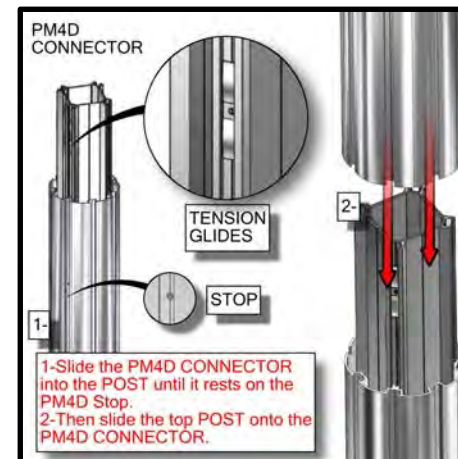
HYBRID PRO RENTAL KIT

Title: SET-UP INSTRUCTIONS

Code	#	Description
R27	4	1200MM (47.24") PHFC4 EXTRUSION WITH MITRE CUT 1 END FOR CB9 ONE END-IB2 HOLES ONE END
R26	2	900MM (35.43") PHFC4 EXTRUSION WITH MITRE CUT BOTH ENDS
CB9	4	CB9 CORNER BRACKET
IB2	2	INLINE BRACKET CONNECTOR
R12	2	1155MM (45.47") 100MM PM4R8 ROUND EXTRUSION WITH LOCKS 1 END WITH PH2 STOP AT 155MM
R14	1	300MM (11.81") PM4D CONNECTOR WITH TENSION GLIDES



SLIDE SQUARE HEAD BOLTS INTO MIDDLE CHANNEL

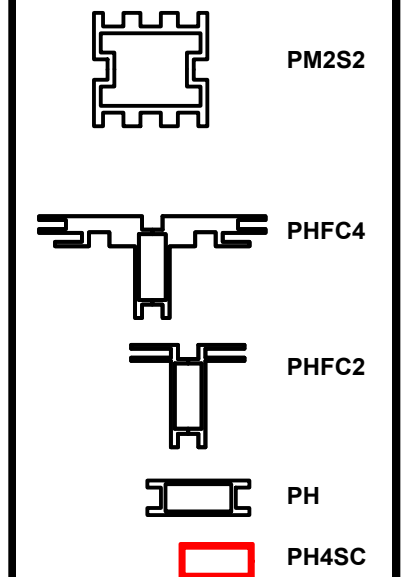


1. Redesign of this exhibit without approval by manufacturer may result in dangerous and unsafe structures. Manufacturer disclaims any responsibility for redesigned exhibits it does not approve in writing.

2. Parts and components such as panels and extrusions are manufactured to metric sizing. Where ever possible sizes have been noted in feet and inches as well as in metric. Below is the imperial to metric sizing table as reference. "Nominal" refers to approximate size.

2400mm = (94 1/2")	Phone Line / Fax
2100mm = (82 5/8")	Internet connection
1800mm = (70 7/8")	Outlet
1500mm = (59")	Main Drop (point of distrution)
1200mm = (47 1/4")	
900mm = (35 1/2")	
600mm = (23 5/8")	
300mm = (11 7/8")	

--- Wire running under carpet



HYBRID PRO RENTAL KIT

Title: SET-UP INSTRUCTIONS

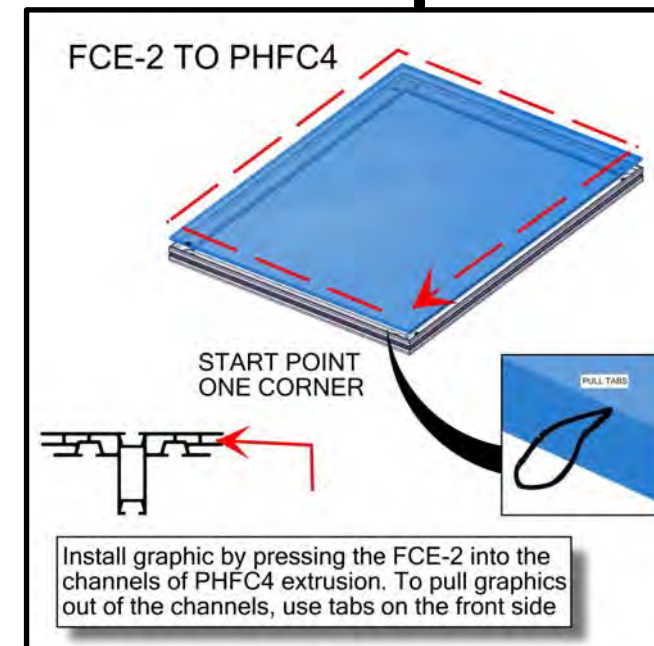
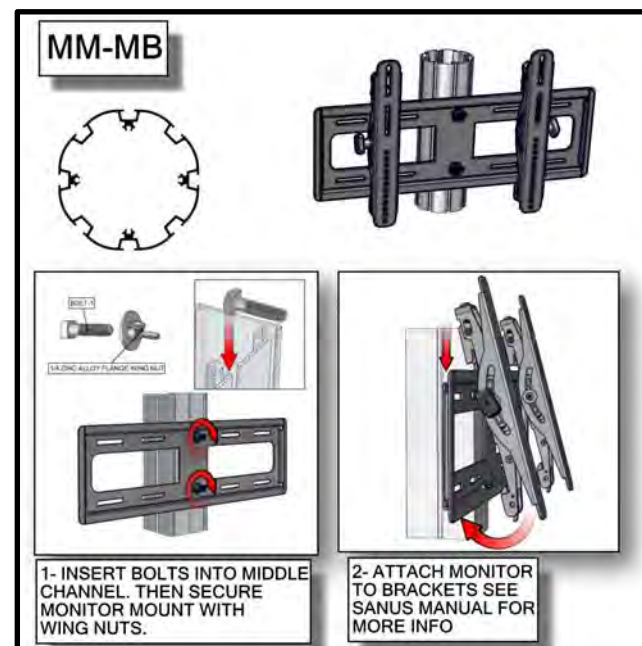
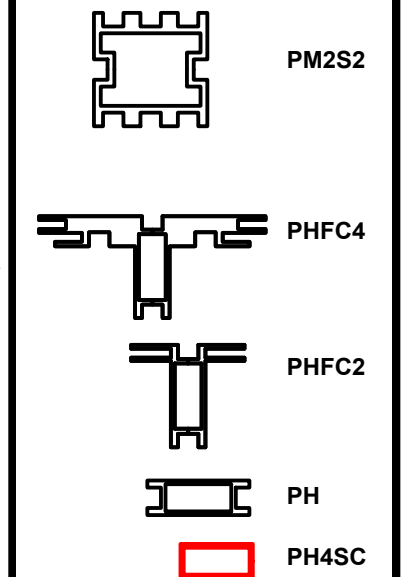
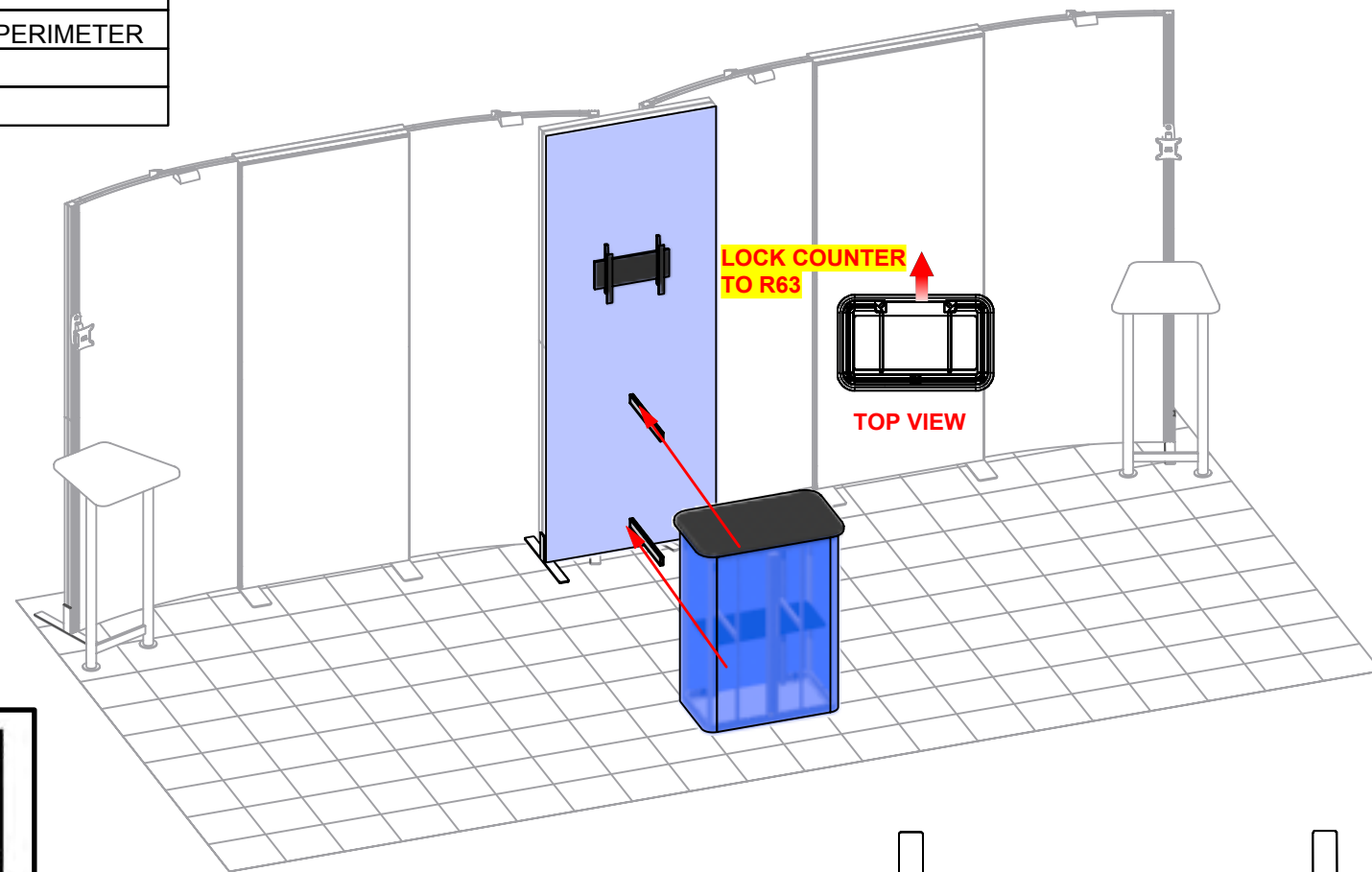
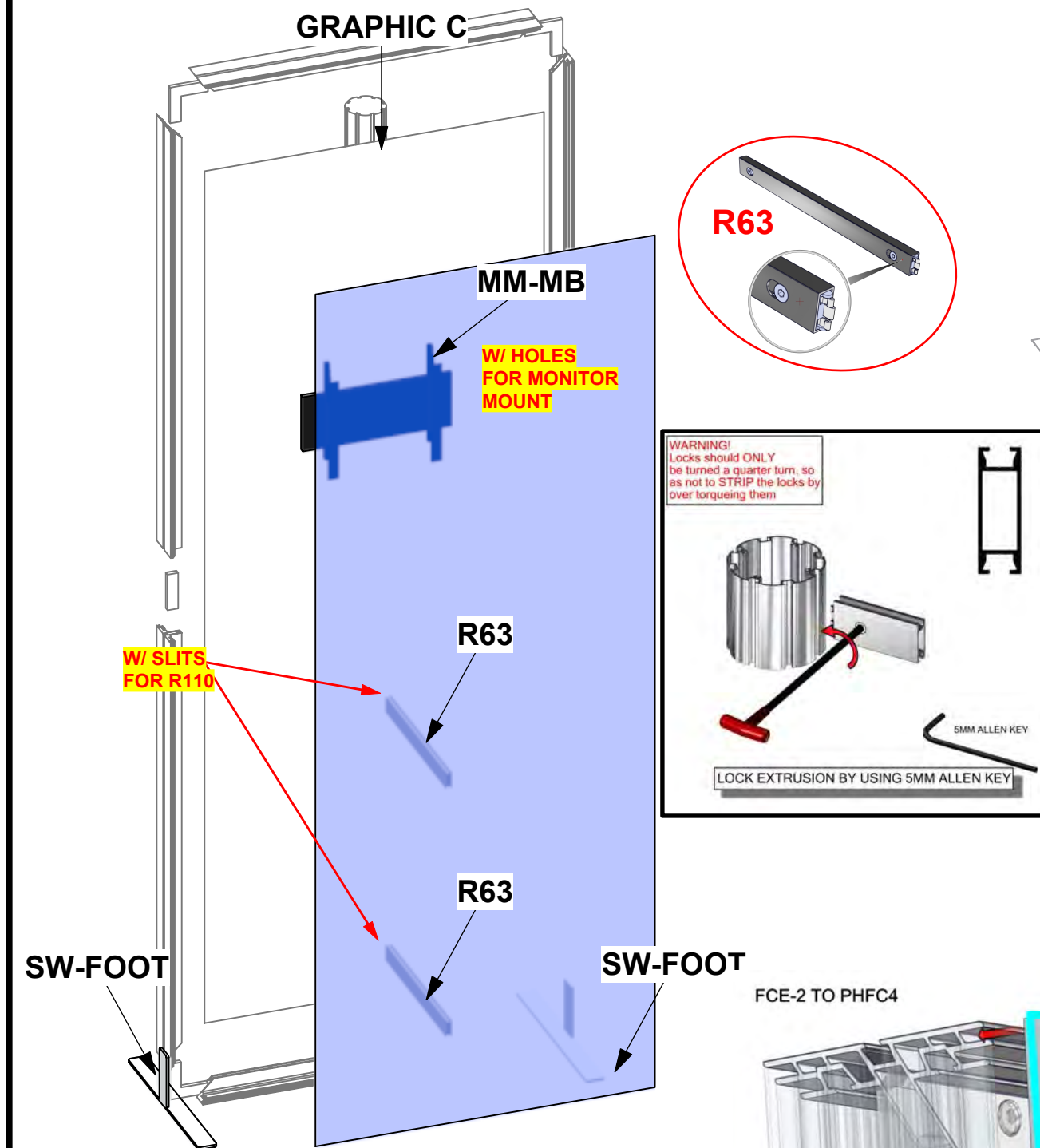
Code	#	Description
MM-MB	1	MEDIUM MONITOR BRACKET FOR MONITORS 15"-40"
GRAPHIC C	1	94 1/2" (H) X 35 7/16" (W) BACKLIT DYESUB GRAPHIC W/ FCE-2 (SEG) ON PERIMETER
SW-FOOT	2	SMARTWALL SUPPORT FOOT
R63	2	432MM (17.00") PH EXTRUSION WITH LOCKS 2 ENDS

1. Redesign of this exhibit without approval by manufacturer may result in dangerous and unsafe structures. Manufacturer disclaims any responsibility for redesigned exhibits it does not approve in writing.

2. Parts and components such as panels and extrusions are manufactured to metric sizing. Where ever possible sizes have been noted in feet and inches as well as in metric. Below is the imperial to metric sizing table as reference. "Nominal" refers to approximate size.

2400mm = (94 1/2")	Phone Line / Fax
2100mm = (82 5/8")	Internet connection
1800mm = (70 7/8")	Outlet
1500mm = (59")	Main Drop (point of distrution)
1200mm = (47 1/4")	
900mm = (35 1/2")	
600mm = (23 5/8")	
300mm = (11 7/8")	

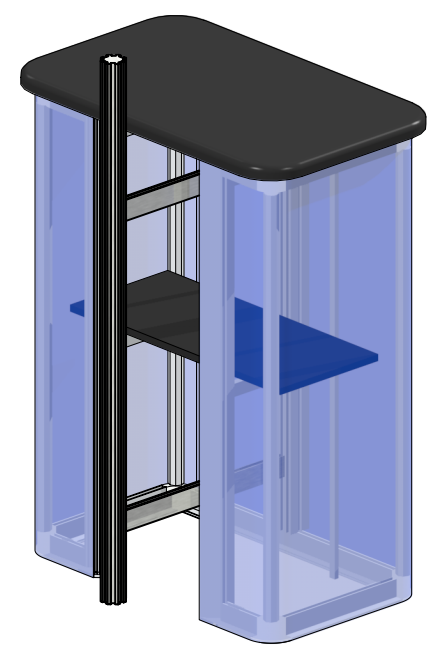
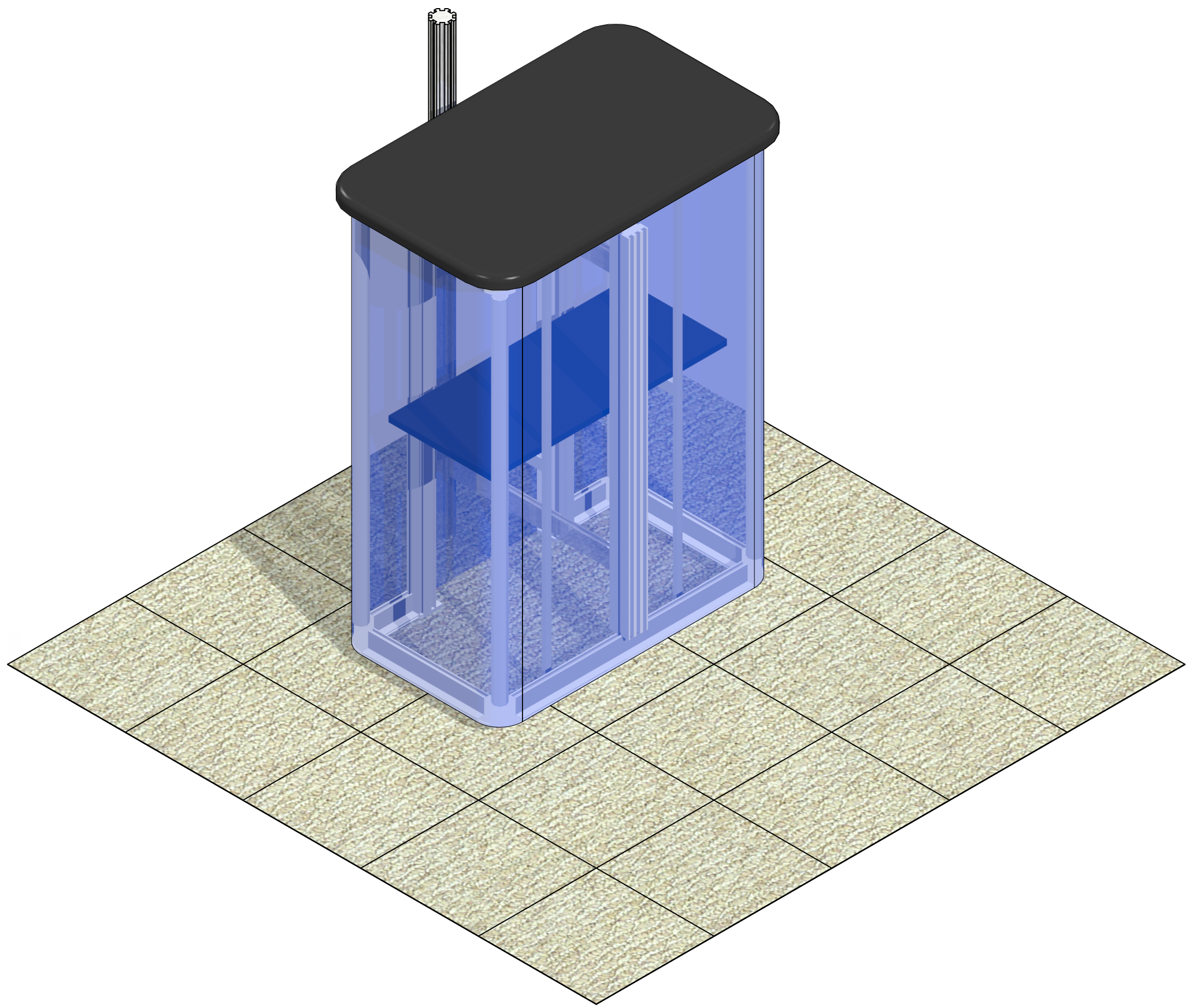
--- Wire running under carpet



HYBRID PRO RENTAL KIT

Title: SET-UP INSTRUCTIONS

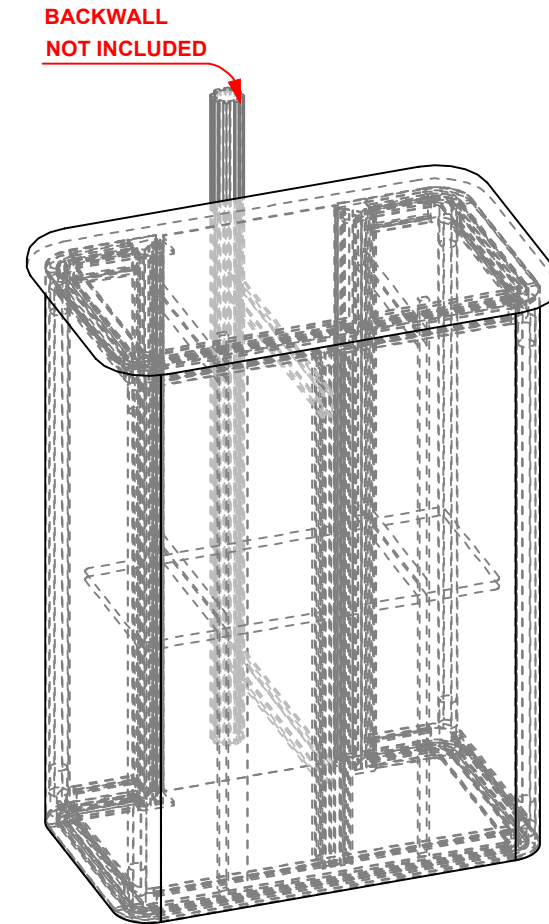
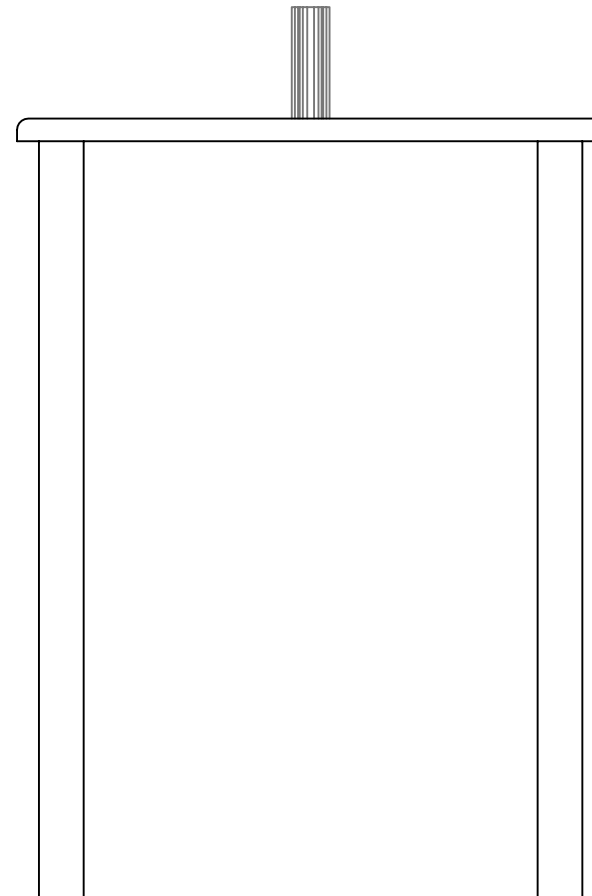
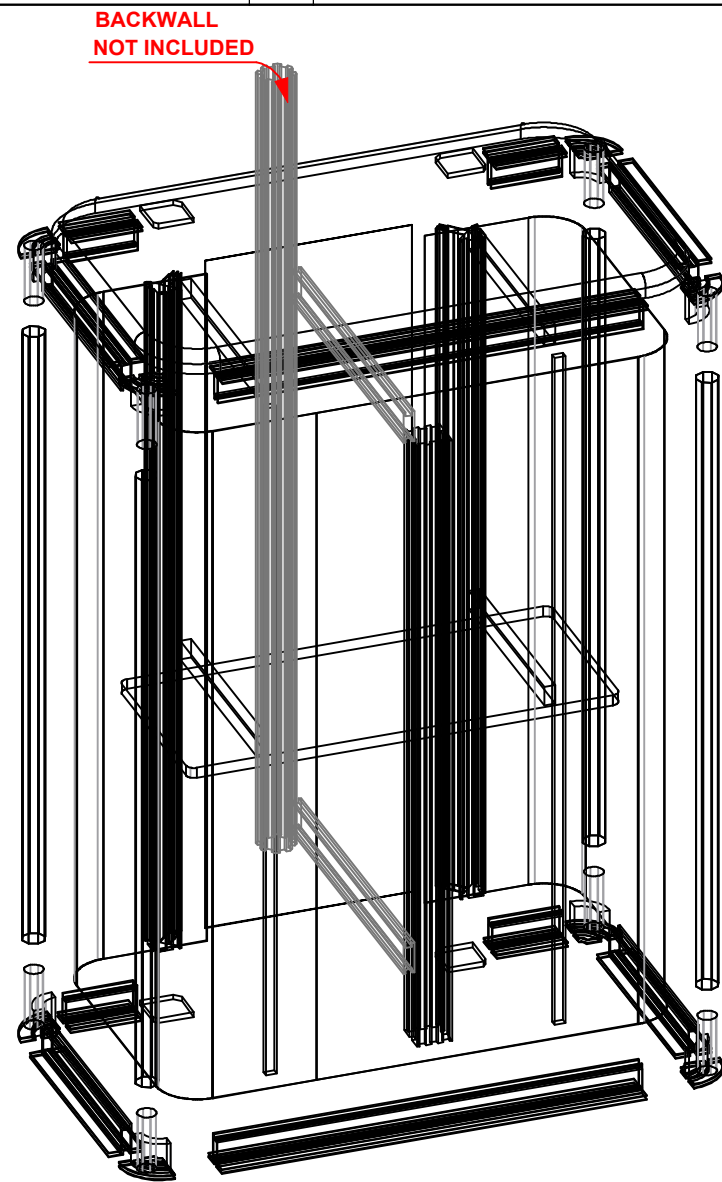
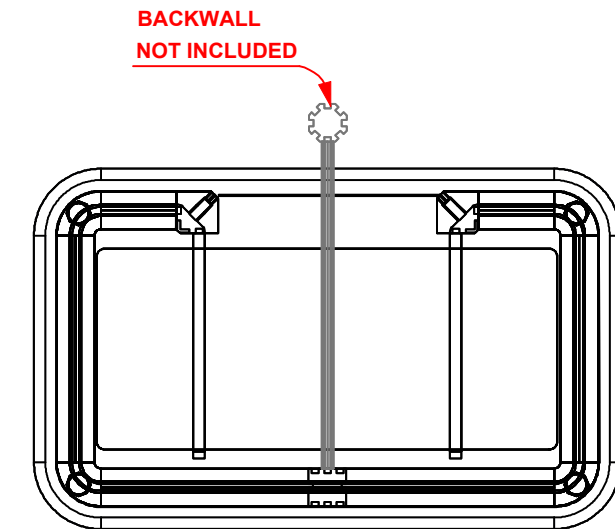
R-VFC-04
W / BACKWALL



Code	#	Description
GRAPHIC	1	43 3/8" (H) X 15 1/2" (W) SINGLE SIDED DYESUB GRAPHIC W/ FCE-2 (SEG) ON PERIMETER
R6	4	300MM (11.81") PHFC2 EXTRUSION WITH LOCKS 2 ENDS
R5	4	100MM (3.94") PHFC2 EXTRUSION WITH LOCKS 2 ENDS
R109	4	910MM LENGTH 30mm (1.18 Inch) TUBE
R4	2	600MM (23.62") PHFC2 EXTRUSION WITH LOCKS 2 ENDS
VFC-04-CT	1	3' X 2' LAMINATE COUNTER TOP [BLACK THERMAFORM]
R3	2	986MM (38.82") PMFC2-90 EXTRUSION-WITH LOCKS BOTH ENDS
PMFC2-90 CAP	4	PMFC2 90 DEGREE EXTRUSION CAP
R2	4	288MM (11.34") PH1 EXTRUSION WITH LOCKS 2 ENDS
R1	1	910MM (35.82") 50MM PM2S SQUARE EXTRUSION WITH LOCKS 2 ENDS
VFC-04-CT-S	1	INTERNAL SHELF FOR VECTOR COUNTER VFC-04
GRAPHIC	1	43 3/8" (H) X 77 1/4" (W) SINGLE SIDED DYESUB GRAPHIC W/ FCE-2 (SEG) ON PERIMETER
PE-1000	2	1000MM (39.37") PE EXTRUSION
CB10-R	8	50MM ROUND PHCF2 CORNER BRACKET

R-VFC-04

BOM



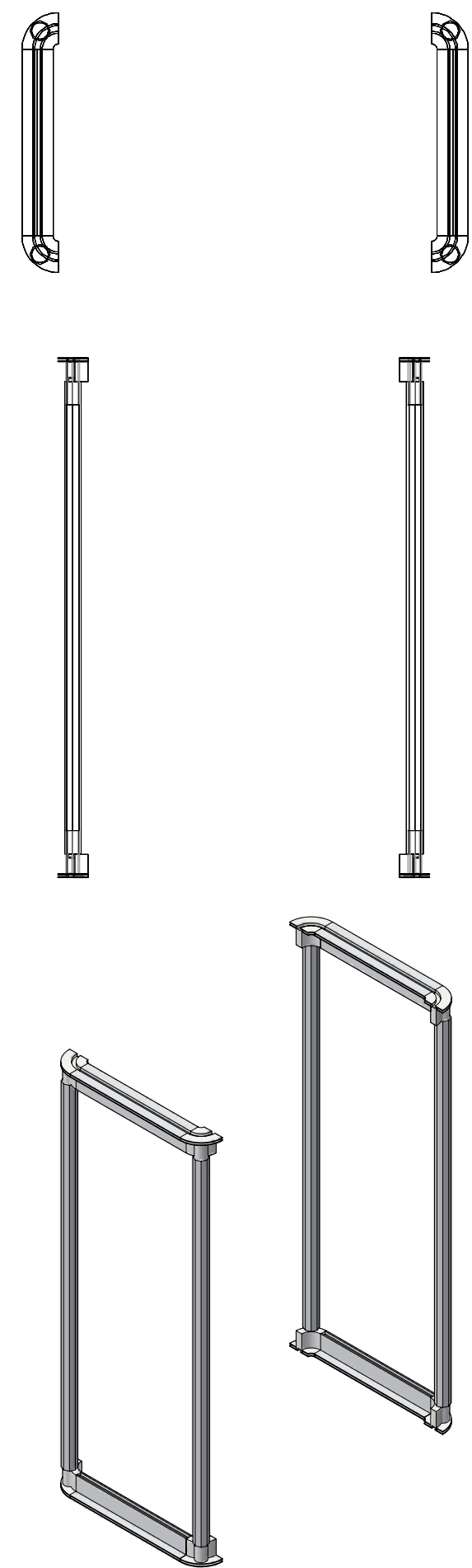
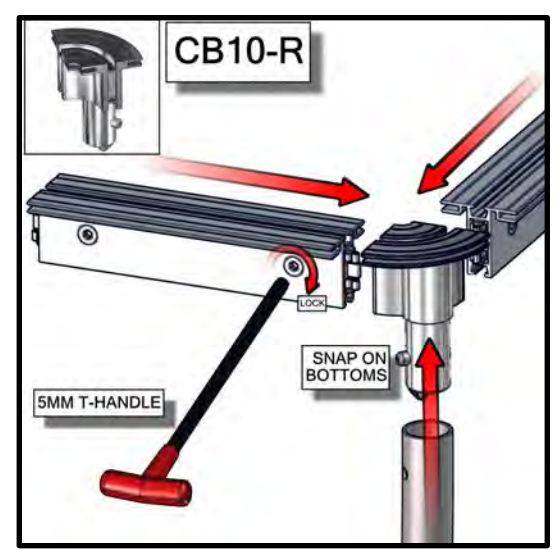
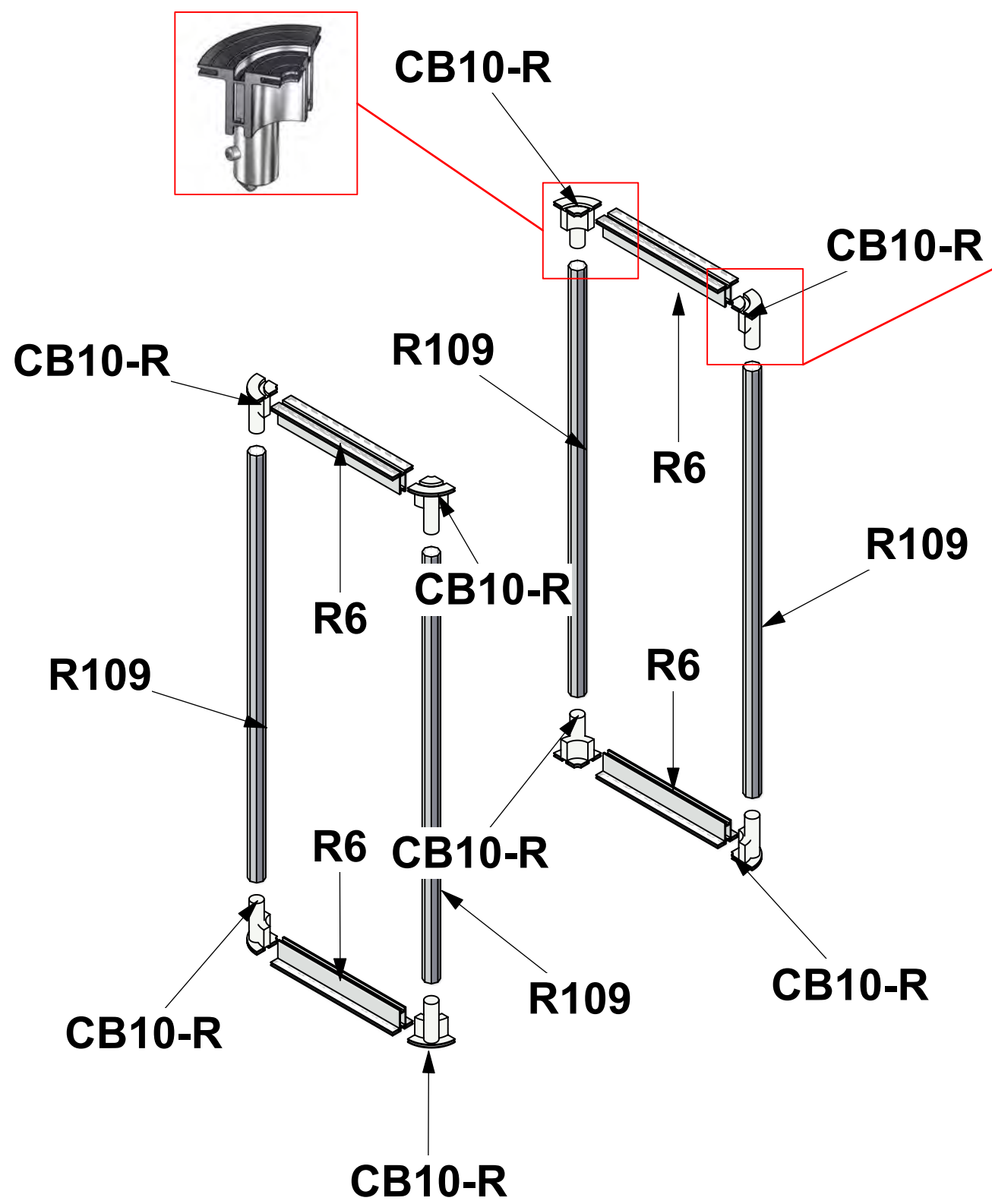
Code	#	Description
R6	4	300MM (11.81") PHFC2 EXTRUSION WITH LOCKS 2 ENDS
R109	4	910MM LENGTH 30mm (1.18 Inch) TUBE
CB10-R	8	50MM ROUND PHCF2 CORNER BRACKET

1. Redesign of this exhibit without approval by manufacturer may result in dangerous and unsafe structures. Manufacturer disclaims any responsibility for redesigned exhibits it does not approve in writing.

2. Parts and components such as panels and extrusions are manufactured to metric sizing. Where ever possible sizes have been noted in feet and inches as well as in metric. Below is the imperial to metric sizing table as reference. "Nominal" refers to approximate size.

2400mm = (94 1/2")	Phone Line / Fax
2100mm = (82 5/8")	Internet connection
1800mm = (70 7/8")	Outlet
1500mm = (59")	Main Drop (point of distrution)
1200mm = (47 1/4")	
900mm = (35 1/2")	
600mm = (23 5/8")	
300mm = (11 7/8")	

--- Wire running under carpet



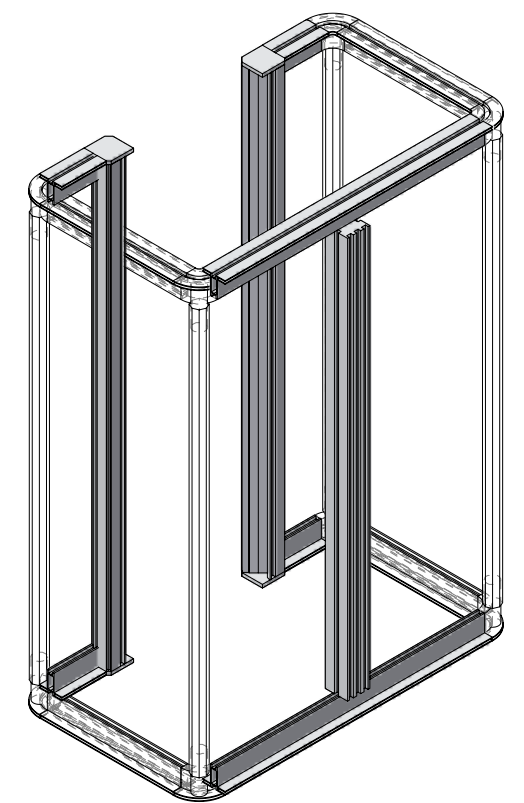
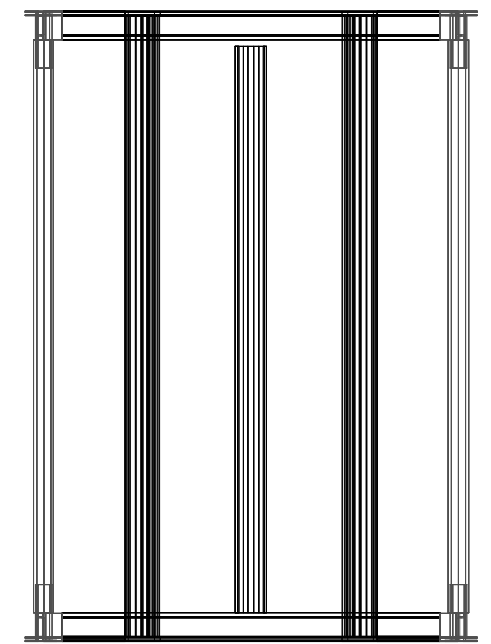
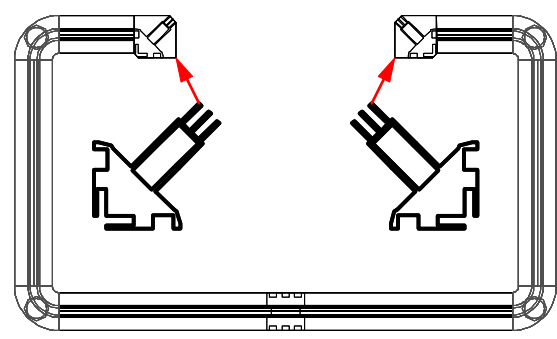
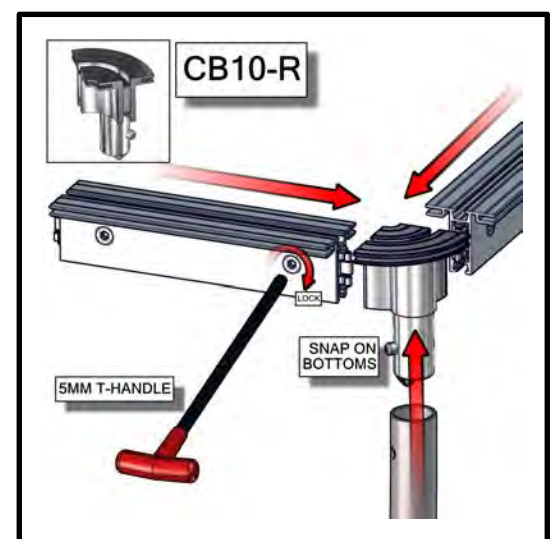
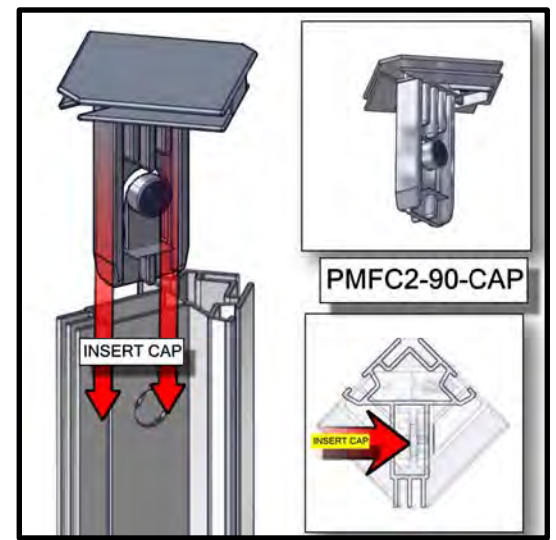
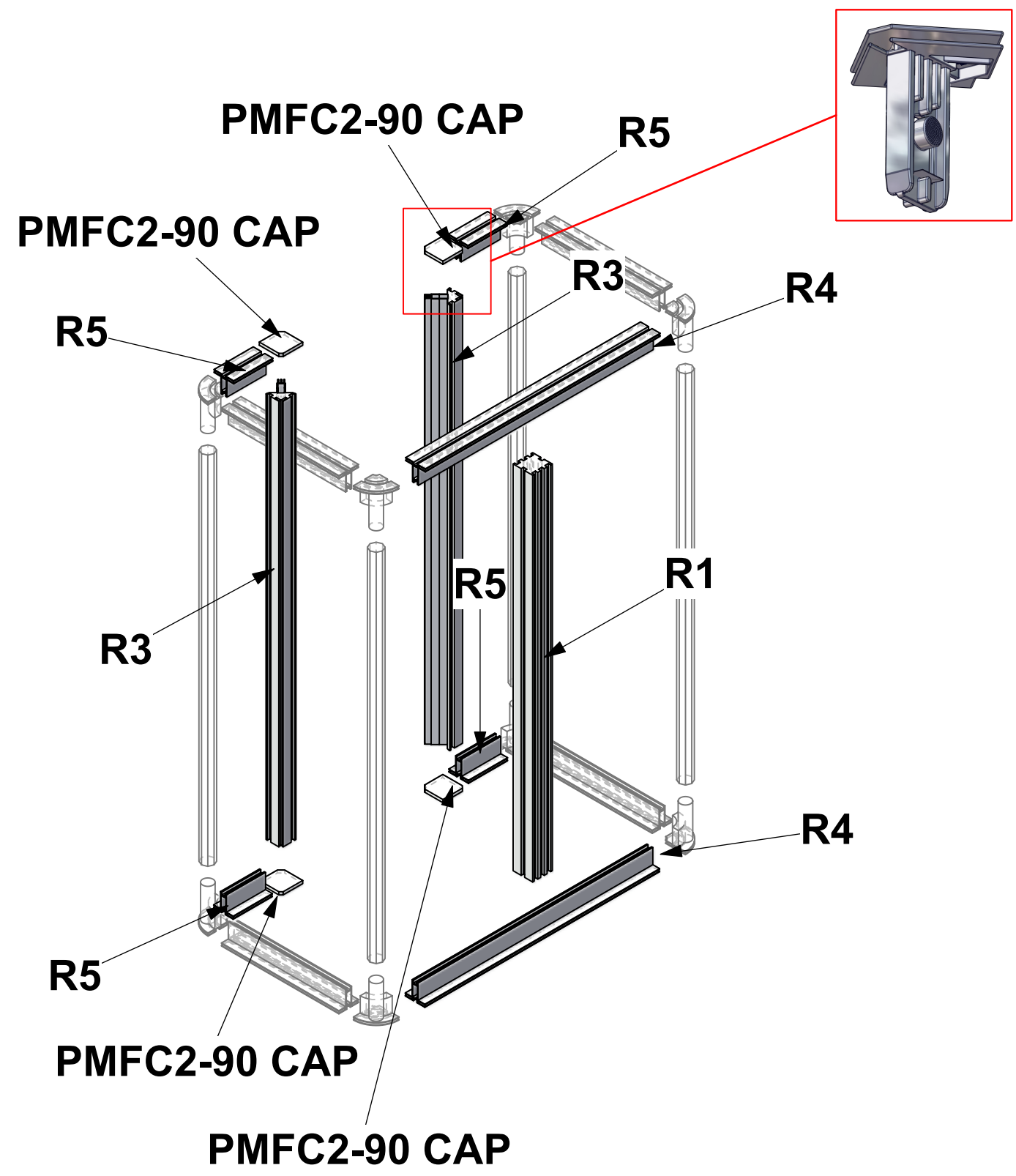
- PM2S2
- PHFC4
- PHFC2
- PH
- PH4SC
- PH1
- PMFC2-T
- PMFC2-90

HYBRID PRO RENTAL KIT

Title: SET-UP INSTRUCTIONS

BUILD 2 UNITS

Code	#	Description
R5	4	100MM (3.94") PHFC2 EXTRUSION WITH LOCKS 2 ENDS
R4	2	600MM (23.62") PHFC2 EXTRUSION WITH LOCKS 2 ENDS
R3	2	986MM (38.82") PMFC2-90 EXTRUSION-WITH LOCKS BOTH ENDS
PMFC2-90 CA	4	PMFC2 90 DEGREE EXTRUSION CAP
R1	1	910MM (35.82") 50MM PM2S SQUARE EXTRUSION WITH LOCKS 2 ENDS

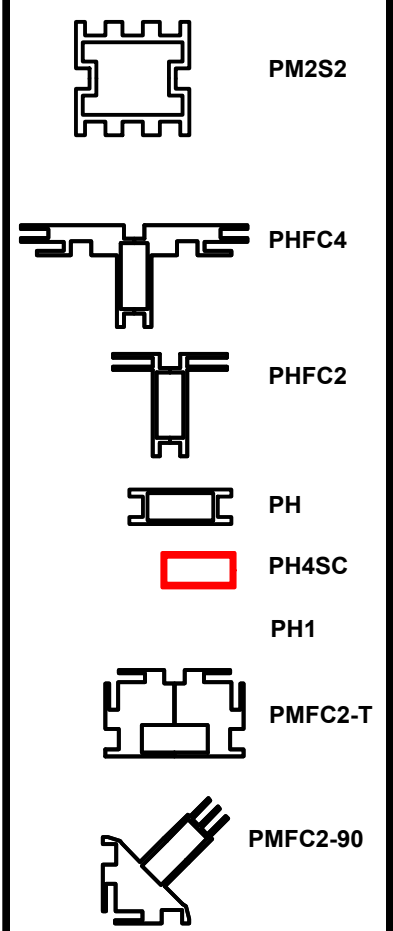


1. Redesign of this exhibit without approval by manufacturer may result in dangerous and unsafe structures. Manufacturer disclaims any responsibility for redesigned exhibits it does not approve in writing.

2. Parts and components such as panels and extrusions are manufactured to metric sizing. Where ever possible sizes have been noted in feet and inches as well as in metric. Below is the imperial to metric sizing table as reference. "Nominal" refers to approximate size.

2400mm = (94 1/2")	Phone Line / Fax
2100mm = (82 5/8")	Internet connection
1800mm = (70 7/8")	Outlet
1500mm = (59")	Main Drop (point of distrution)
1200mm = (47 1/4")	
900mm = (35 1/2")	
600mm = (23 5/8")	
300mm = (11 7/8")	

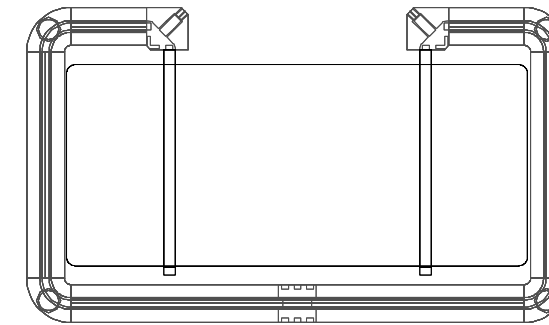
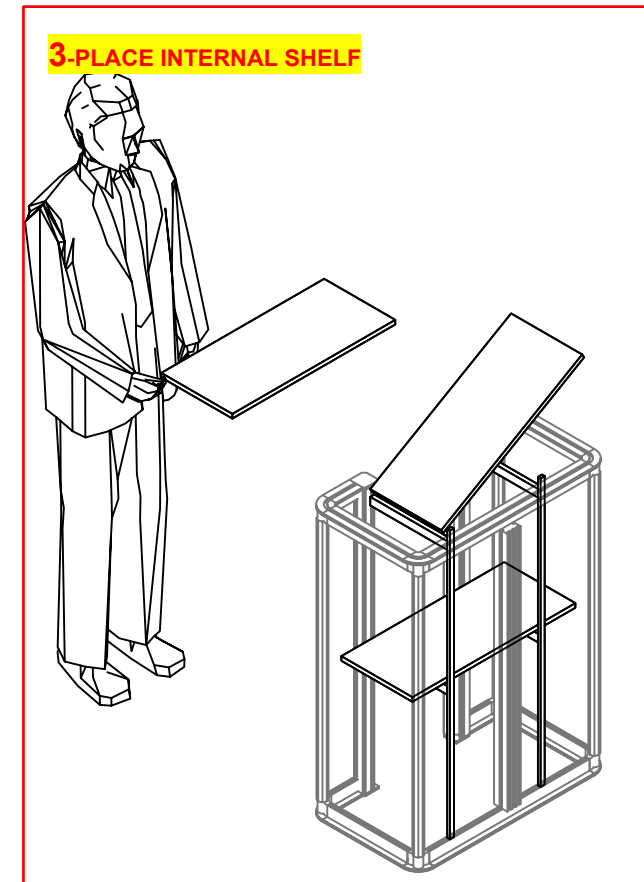
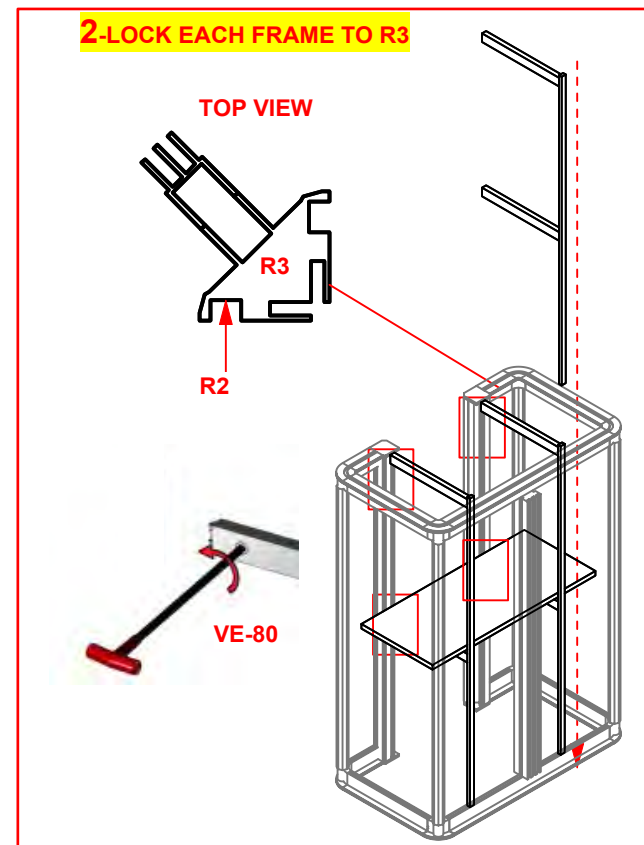
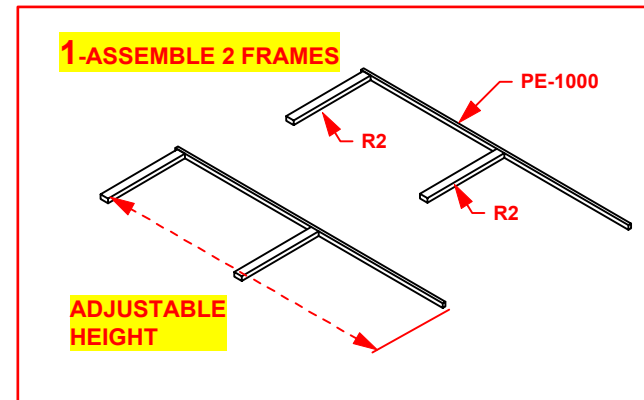
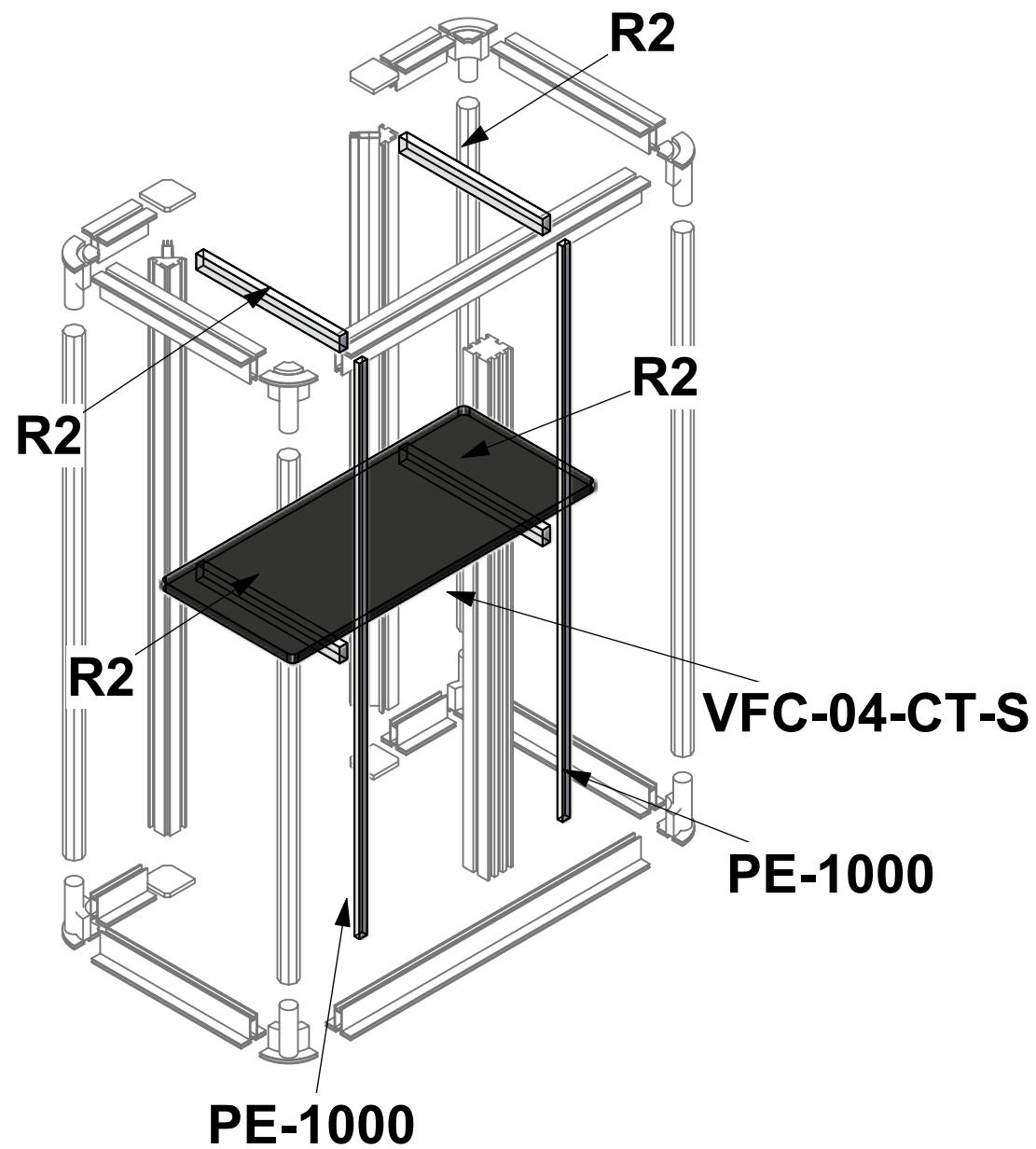
--- Wire running under carpet



HYBRID PRO RENTAL KIT

Title: SET-UP INSTRUCTIONS

Code	#	Description
R2	4	288MM (11.34") PH1 EXTRUSION WITH LOCKS 2 ENDS
VFC-04-CT-S	1	INTERNAL SHELF FOR VECTOR COUNTER VFC-04
PE-1000	2	1000MM (39.37") PE EXTRUSION

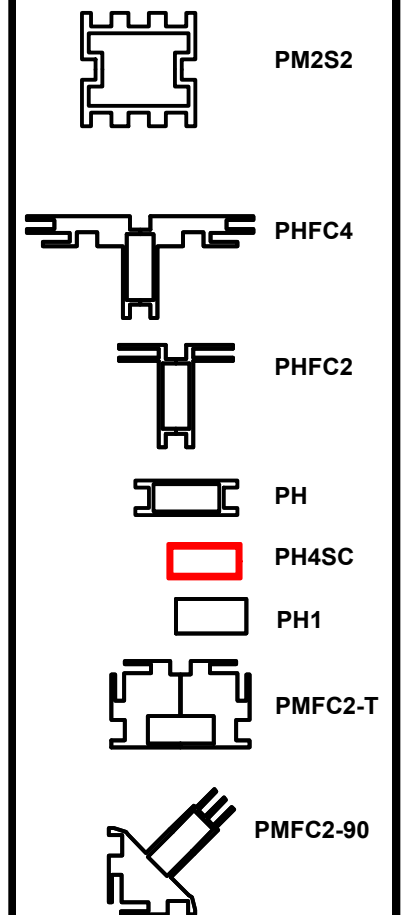


1. Redesign of this exhibit without approval by manufacturer may result in dangerous and unsafe structures. Manufacturer disclaims any responsibility for redesigned exhibits it does not approve in writing.

2. Parts and components such as panels and extrusions are manufactured to metric sizing. Where ever possible sizes have been noted in feet and inches as well as in metric. Below is the imperial to metric sizing table as reference. "Nominal" refers to approximate size.

2400mm = (94 1/2")	Phone Line / Fax
2100mm = (82 5/8")	Internet connection
1800mm = (70 7/8")	Outlet
1500mm = (59")	Main Drop (point of distrution)
1200mm = (47 1/4")	
900mm = (35 1/2")	
600mm = (23 5/8")	
300mm = (11 7/8")	

--- Wire running under carpet



HYBRID PRO RENTAL KIT

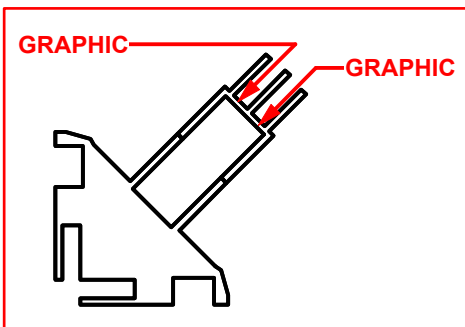
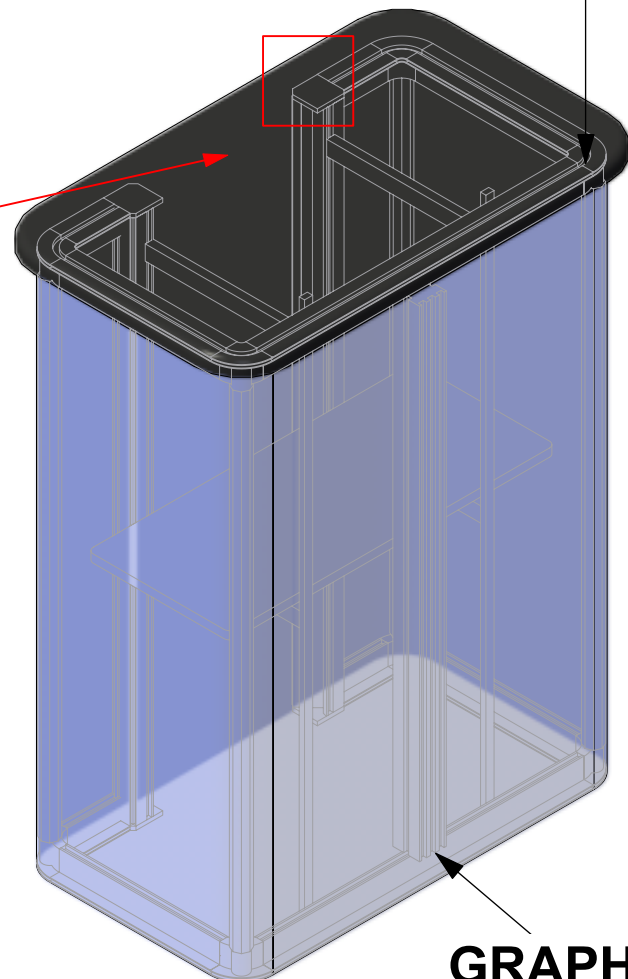
Title: SET-UP INSTRUCTIONS

Code	#	Description
GRAPHIC	1	43 3/8" (H) X 15 1/2" (W) SINGLE SIDED DYESUB C
VFC-04-CT	1	3' X 2' LAMINATE COUNTER TOP [BLACK THERM
GRAPHIC	1	43 3/8" (H) X 77 1/4" (W) SINGLE SIDED DYESUB C

VFC-04-CT

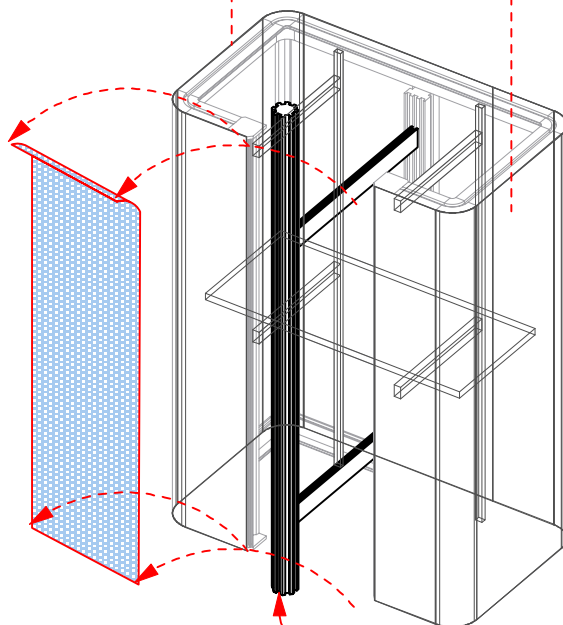
GRAPHIC

NOTE: USE THIS FABRIC ONLY WHEN COUNTER IS FREESTANDING

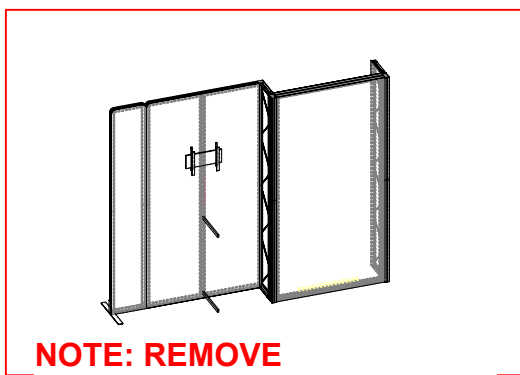


LIFT UP COUNTER FOR ACCESS INSIDE

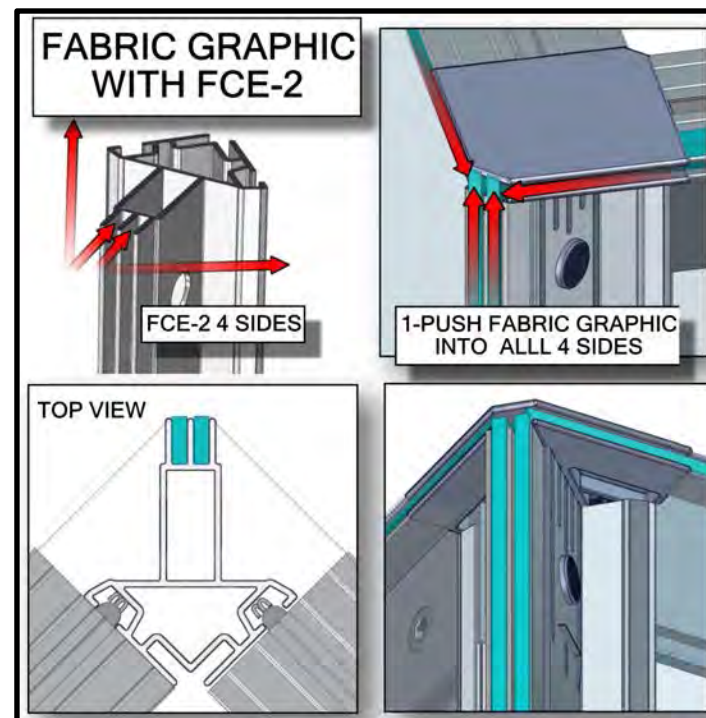
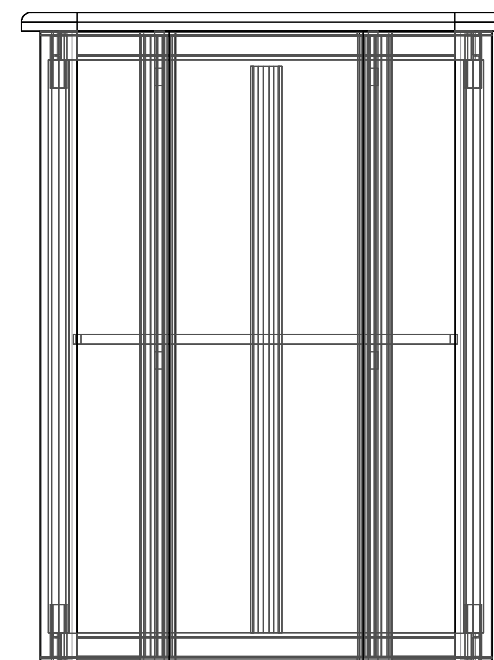
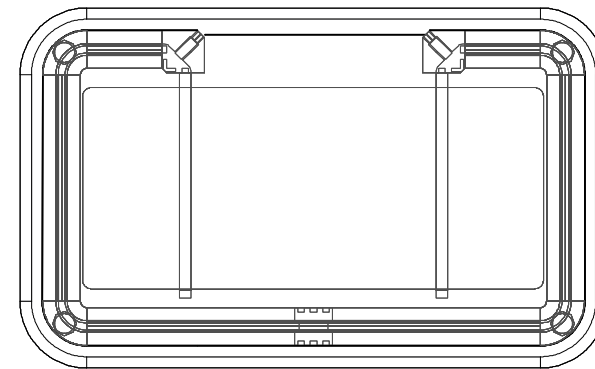
GRAPHIC



BACKWALL NOT INCLUDED



NOTE: REMOVE FABRIC WHEN COUNTER IS ATTACHED TO BACKWALL



1. Redesign of this exhibit without approval by manufacturer may result in dangerous and unsafe structures. Manufacturer disclaims any responsibility for redesigned exhibits it does not approve in writing.

2. Parts and components such as panels and extrusions are manufactured to metric sizing. Where ever possible sizes have been noted in feet and inches as well as in metric. Below is the imperial to metric sizing table as reference. "Nominal" refers to approximate size.

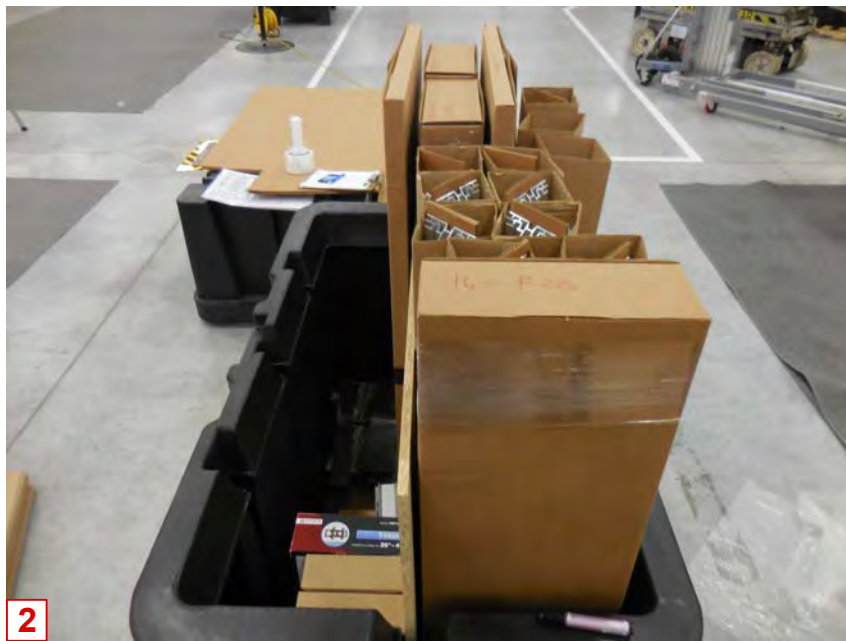
- 2400mm = (94 1/2")
 - 2100mm = (82 5/8")
 - 1800mm = (70 7/8")
 - 1500mm = (59")
 - 1200mm = (47 1/4")
 - 900mm = (35 1/2")
 - 600mm = (23 5/8")
 - 300mm = (11 7/8")
- Phone Line / Fax
 - Internet connection
 - Outlet
 - Main Drop (point of distrution)
- Wire running under carpet

- PM2S2
- PHFC4
- PHFC2
- PH
- PH4SC
- PH1
- PMFC2-T
- PMFC2-90

HYBRID PRO RENTAL KIT

Title: SET-UP INSTRUCTIONS

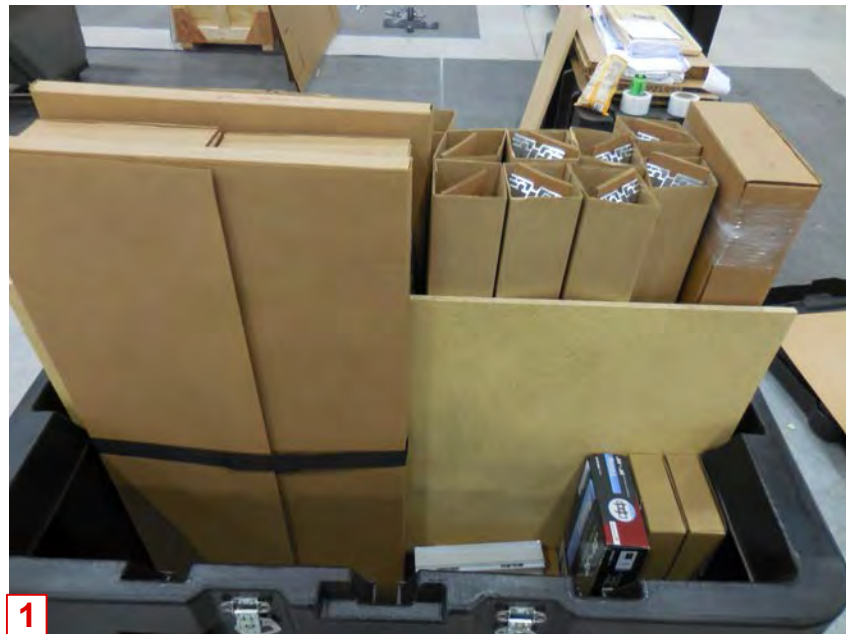
PACKING INSTRUCTIONS



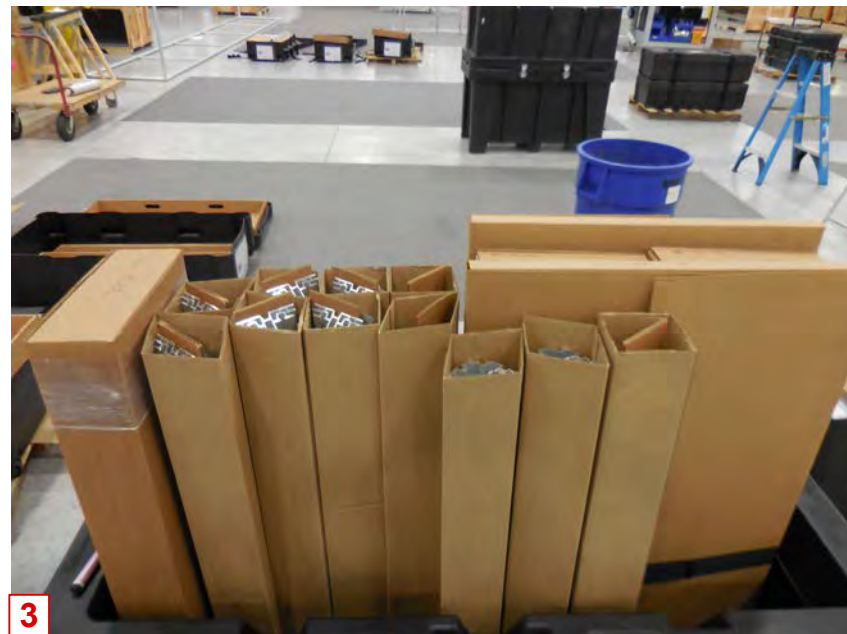
2



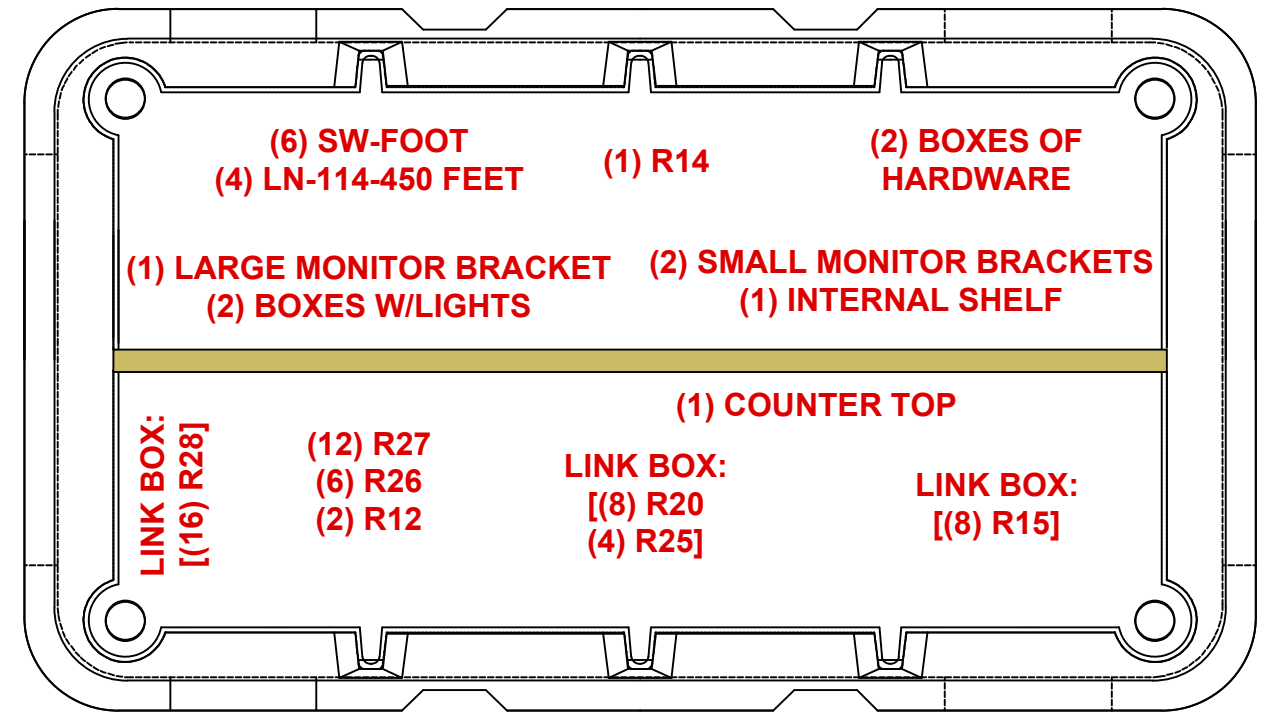
4



1



3



CASE # 1

LEGEND		GREY FOAM FOLDED TO FILL EMPTY SPACES OR USED AS PROTECTION
		1/8" CARDBOARD SPACER (PUT IN BETWEEN EVERY PANEL)
		DIVIDER
		1/4" WHITE FOAM (USED AS PROTECTION DOOR PANELS W/ LOCKS)

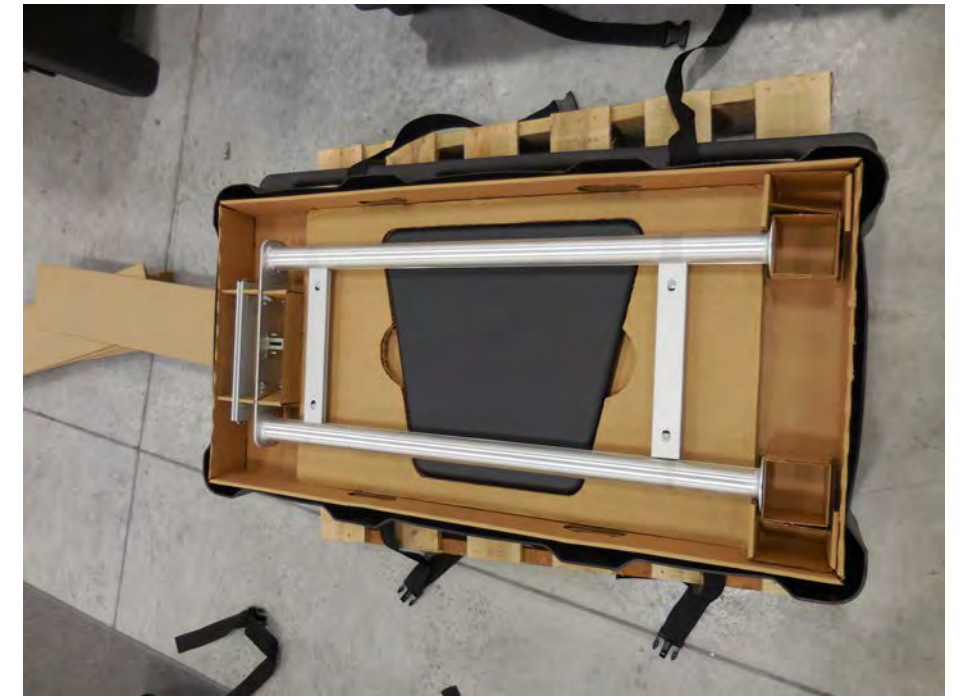




1 (4) R109, (2) PE-1000, (2) R2, (4) R5, (1) R1, (2) R3
(4) R6, (8) CB10-R







2 (1) V-LG-05, (1) R8, (1) V-WS-CT-01



3 (1) V-LG-05, (1) R8, (1) V-WS-CT-01

CASE # 2

LEGEND		GREY FOAM FOLDED TO FILL EMPTY SPACES OR USED AS PROTECTION
		1/8" CARDBOARD SPACER (PUT IN BETWEEN EVERY PANEL)
		DIVIDER
		1/4" WHITE FOAM (USED AS PROTECTION DOOR PANELS W/ LOCKS)

