

Hopup Dimension Kit 03

DIMENSION KIT 03: HOP-DIM03-4X3FGE-S

ACCESSORY 03: HOP-DIM03

Hopup™ Backwall Dimensions add style, flare and funtion to any 7½' or 10' wide Hopup straight display. Easily accessorize your Hopup with monitor mounts, counters, tables, and more messaging real estate. Purchase as a complete kit or as an accessory for your existing straight Hopup. Dimensional elements can be placed in the middle, left or right sides of the display.



**DIMENSION KIT 03:
HOP-DIM03-4X3FGE-S**



**ACCESSORY 03:
HOP-DIM03**

features and benefits:

Dimension Kit 03 includes:

- 10' wide full height straight backwall
- Accessory counter with monitor mount, fabric printed graphic and literature holder
- Two lumina 200 lights

- **Accessory 03 includes:** stand-off counter with fabric printed graphic, literature holder and monitor mount
- Monitor* mount supports 40"; 40 lbs max
- Counter top holds max weight of 35 lbs
- Lifetime limited hardware warranty against manufacturer defects

dimensions:

Hardware:

Assembled unit:
118.75"w x 91"h x 36.375"d
3016.25mm(w) x 2311.4mm(h) x 924mm(d)

Stand-off counter:
34"w x 90.375"h x 11.25"d
863.6mm(w) x 2295.5mm(h) x 285.75mm(d)

HOP-DIM03-4X3FG-S Weight:
68 lbs / 30.84 kgs

HOP-DIM03 Weight: 39 lbs / 17.69 kgs

Carry bag: 2 lbs / .9 kgs

Shipping:

Shipping dimensions - ships in two boxes:

Dimension Kit 03: 36"l x 15"w x 13"h
914mm(l) x 381mm(w) x 330mm(h)

Shipping dimensions - ships in one box:

Accessory 03: 40"l x 17.5"w x 6.625"h
1016mm(l) x 144.5mm(w) x 168.3mm(h)

Shipping weight:

Dimension Kit 03 (boxes): 70 lbs / 31.75 kgs
OCP2 upgrade: 110 lbs / 49.9 kgs

Accessory 03 (boxes): 41 lbs / 18.6 kgs
OCP2 upgrade: 76 lbs / 34.5 kgs

Graphics:

Total visual area:
119"w x 89.5"h
3010mm(w) x 2273mm(h)

Stand-off counter graphic:
28.5"w x 35.315"h
724mm(w) x 921mm(h)

Please be sure to include a 2" bleed around perimeter

Refer to related graphic template for more information.

Visit exhibitors-handbook.com/graphic-templates

additional information:

Counter holds max weight of 35 lbs

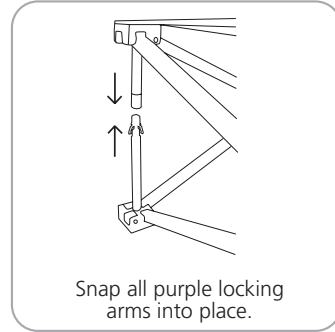
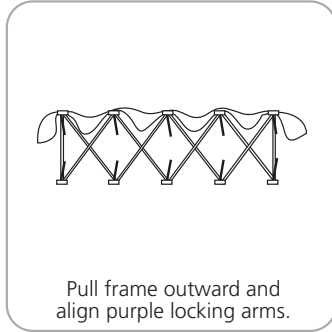
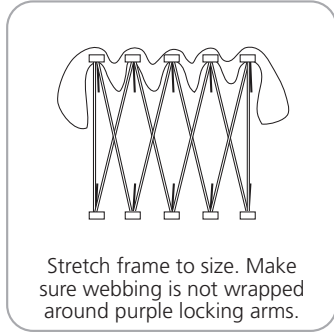
Monitor* mount supports 40" monitor, max weight = 40 lbs

*Monitor not included

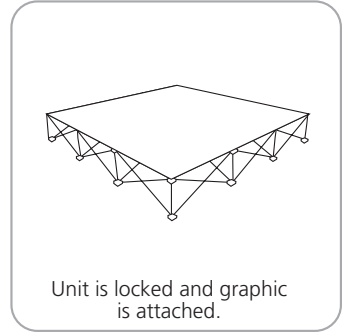
Accessory 03 HOP-DIM03 does not include backwall frame or lights

We are continually improving and modifying our product range and reserve the right to vary the specifications without prior notice. All dimensions and weights quoted are approximate and we accept no responsibility for variance. E&OE. See Graphic Templates for graphic bleed specifications.

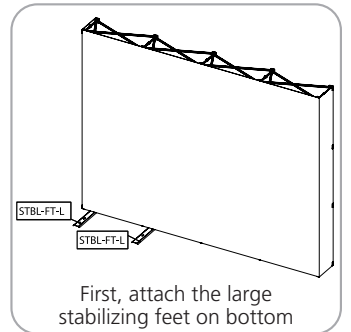
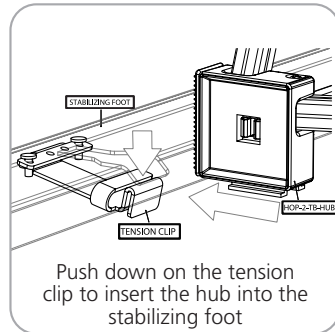
STEP 1: ASSEMBLE FRAME



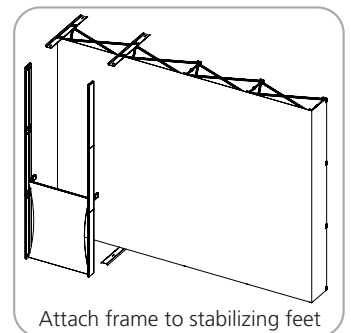
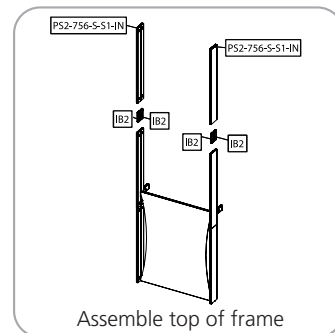
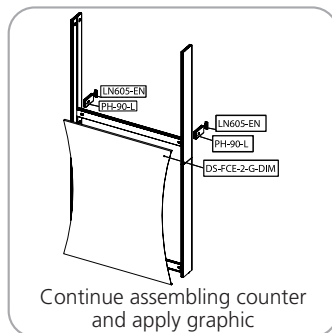
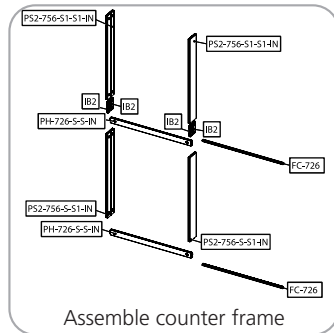
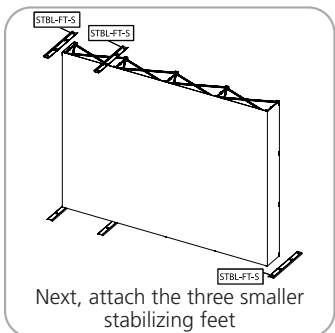
STEP 2: ATTACH GRAPHIC



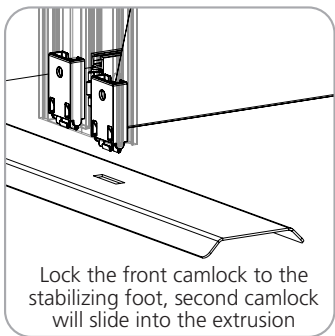
STEP 3: ATTACH STABILIZER FEET



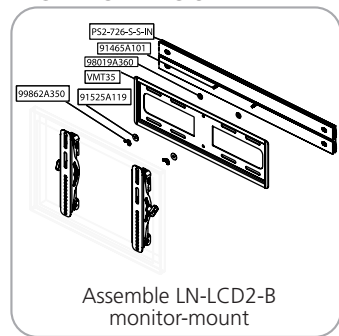
STEP 4: ASSEMBLE COUNTER FRAME



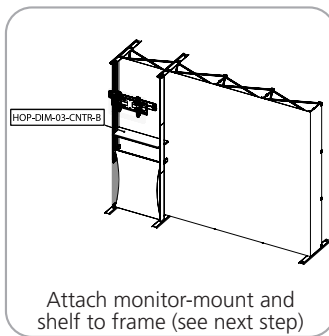
STEP 5: ASSEMBLE MONITOR-MOUNT



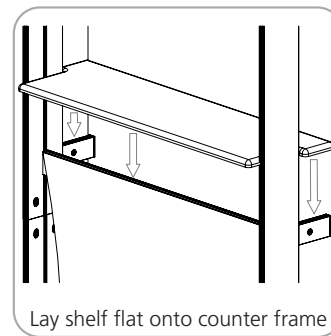
Lock the front camlock to the stabilizing foot, second camlock will slide into the extrusion



Assemble LN-LCD2-B monitor-mount

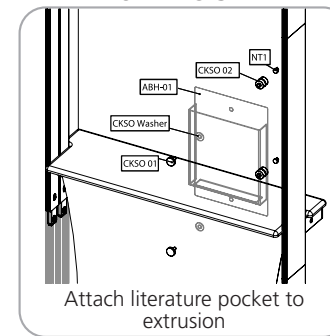


Attach monitor-mount and shelf to frame (see next step)



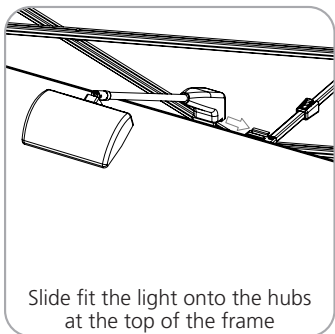
Lay shelf flat onto counter frame

STEP 6: ATTACH LITERATURE POCKET



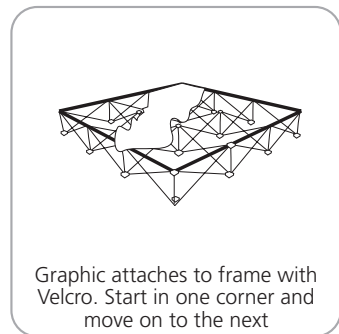
Attach literature pocket to extrusion

STEP 7: ATTACH LIGHTS

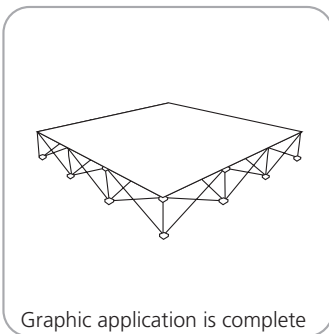


Slide fit the light onto the hubs at the top of the frame

HOPUP GRAPHIC ATTACHMENT



Graphic attaches to frame with Velcro. Start in one corner and move on to the next

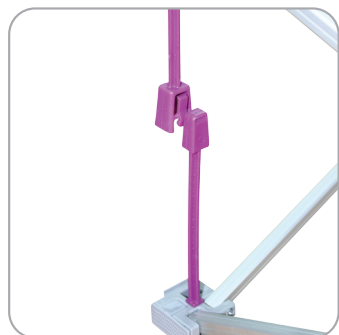


Graphic application is complete

to ensure quality, please note:



If the webbing is wrapped around the purple locking arm, the arm can snap off when opening the unit.



When setting up, ensure that the arms are aligned. If not, the arms will snap when pressure is applied.



When packing unit in the bag, ensure that the strap is not partially wrapped around an arm. If it is, the arm will snap when pulled out of the bag.



When placing in a non-roller bag, ensure that arms are not outside of the bag.



Do not use the purple locking arm to lift unit. ALWAYS lift by the frame.