

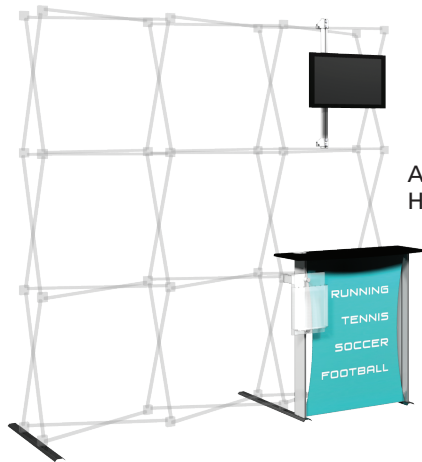
# Hopup Dimension Kit 02

## DIMENSION KIT 02: HOP-DIM02-3X3FG-S ACCESSORY 02: HOP-DIM02

Hopup™ Backwall Dimensions add style, flare and funtion to any 7½' or 10' wide Hopup straight display. Easily accessorize your Hopup with monitor mounts, counters, tables, and more messaging real estate. Purchase as a complete kit or as an accessory for your existing straight Hopup. Dimensional elements can be placed in the middle, left or right sides of the display.



DIMENSION KIT 02:  
HOP-DIM02-3X3FG-S



ACCESSORY 02:  
HOP-DIM02

## features and benefits:

### Dimension Kit 02 includes:

- 7½' wide full height straight backwall
- Stand-off counter supports max 35 lbs
- Counter features graphic and literature holder
- Monitor\* mount
- Two lumina 200 lights

- **Accessory 02 includes:** stand-off counter with fabric printed graphic, literature holder and monitor mount
- Monitor\* mount supports 23"; 30 lbs max
- Lifetime limited hardware warranty against manufacturer defects

## dimensions:

### Hardware:

Assembled unit:  
92"w x 91"h x 32"d  
2336.8mm(w) x 2311.4mm(h) x 813mm(d)

Stand-off counter:  
36"w x 36.5"h x 12.5"d  
914mm(w) x 927mm(h) x 317.5mm(d)

HOP-DIM02-3X3FG-S Weight:  
46 lbs / 20.87 kgs

HOP-DIM02 Weight: 22 lbs / 9.98 kgs

Carry bag: 2 lbs / .9 kgs

### Shipping:

**Shipping dimensions - ships in two boxes:**  
Dimension Kit 02: 36"l x 13"w x 12"h  
914mm(l) x 330mm(w) x 305mm(h)

**Shipping dimensions - ships in one box:**  
Accessory 02: 40"l x 17.5"w x 6.625"h  
1016mm(l) x 144.5mm(w) x 168.3mm(h)

### Shipping weight:

Dimension Kit 02 (boxes): 48 lbs / 21.7 kgs  
OCP2 upgrade: 84 lbs / 38 kgs

Accessory 02 (boxes): 24 lbs / 10.8 kgs  
OCP2 upgrade: 57 lbs / 25.9 kgs

### Graphics:

Total visual area:  
89.5"w x 89.5"h  
2273mm(w) x 2273mm(h)

Stand-off counter graphic:  
28.5"w x 35.315"h  
724mm(w) x 921mm(h)

Please be sure to include a 2" bleed around perimeter

Refer to related graphic template for more information.

Visit [exhibitors-handbook.com/graphic-templates](http://exhibitors-handbook.com/graphic-templates)

## additional information:

Monitor\* mount supports 23" monitor, max weight = 30 lbs

\*Monitor not included

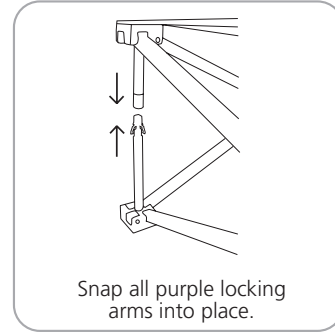
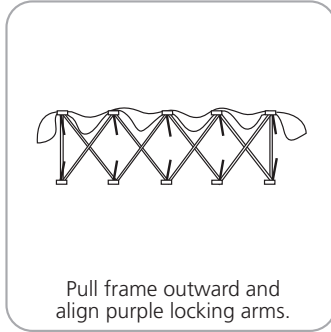
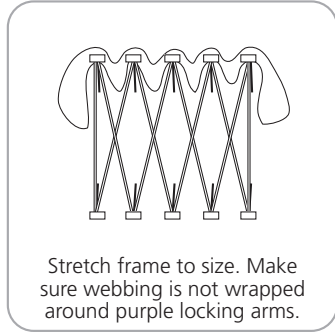
Counter top max load is 35 lbs / 15.8 kgs

Accessory 02 HOP-DIM02 does not include backwall frame or lights

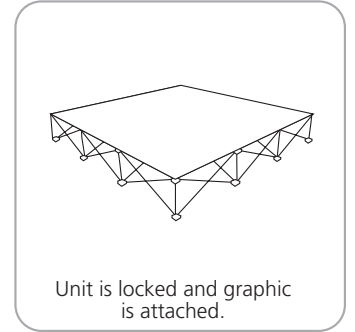
Counter Only with Literature Holder  
HOP-DIM-COUNTER W/LIT RACK

We are continually improving and modifying our product range and reserve the right to vary the specifications without prior notice. All dimensions and weights quoted are approximate and we accept no responsibility for variance. E&OE. See Graphic Templates for graphic bleed specifications.

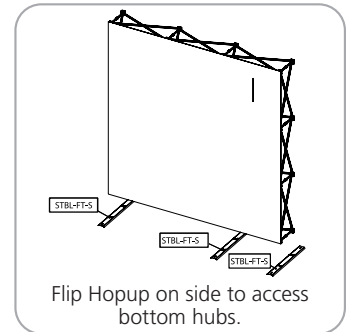
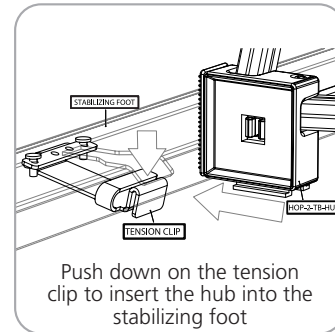
### STEP 1: ASSEMBLE FRAME



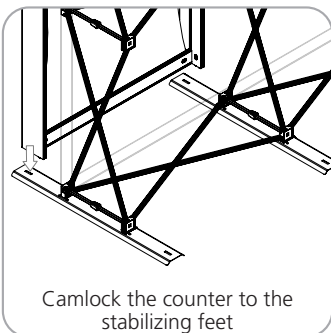
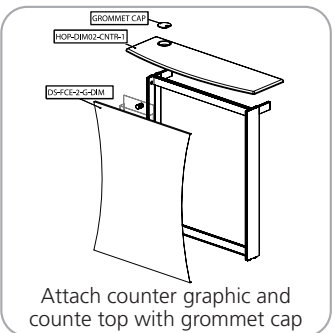
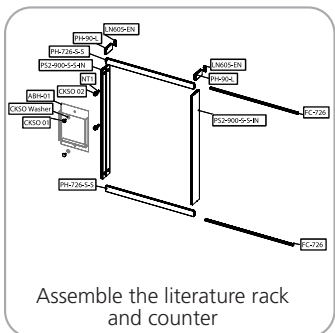
### STEP 2: ATTACH GRAPHIC



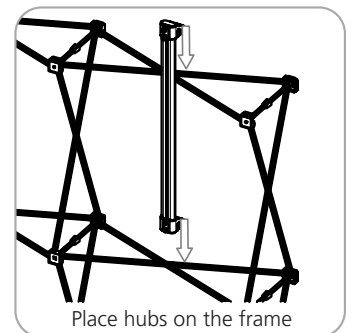
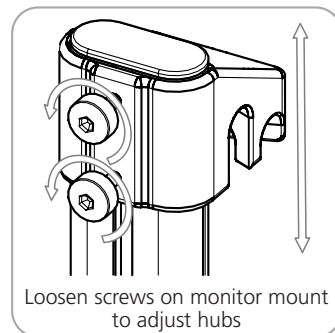
### STEP 3: ATTACH STABILIZER FEET

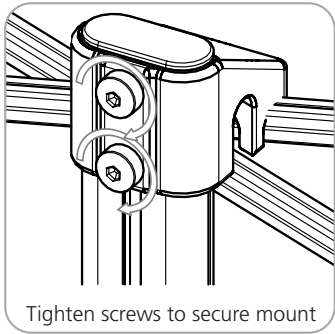


### STEP 4: ASSEMBLE COUNTER

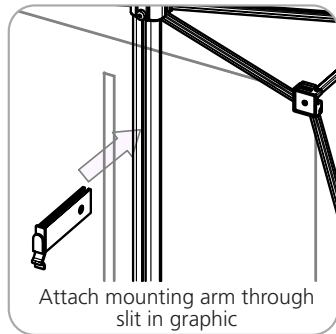


### STEP 4: ATTACH MONITOR MOUNT

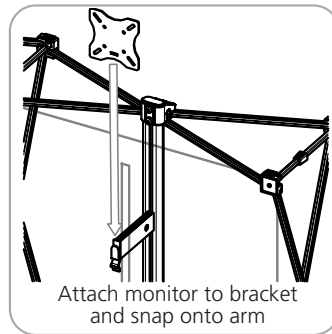




Tighten screws to secure mount

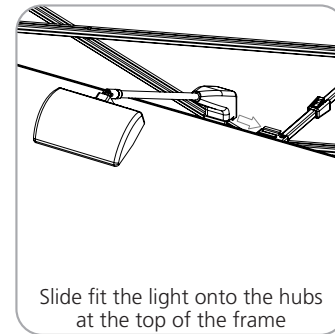


Attach mounting arm through slit in graphic



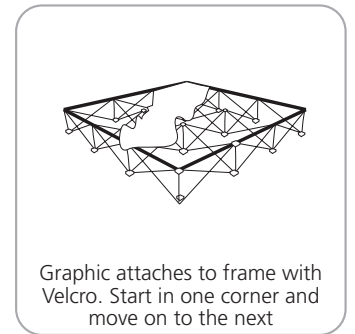
Attach monitor to bracket and snap onto arm

### STEP 6: ATTACH LIGHTS

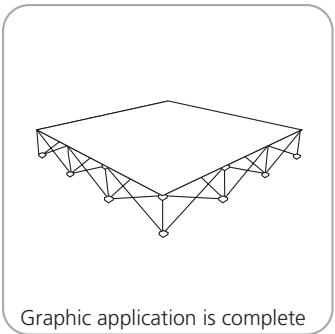


Slide fit the light onto the hubs at the top of the frame

### HOPUP GRAPHIC ATTACHMENT



Graphic attaches to frame with Velcro. Start in one corner and move on to the next

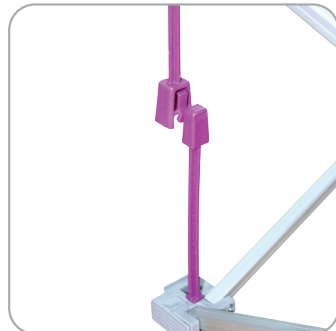


Graphic application is complete

### to ensure quality, please note:



If the webbing is wrapped around the purple locking arm, the arm can snap off when opening the unit.



When setting up, ensure that the arms are aligned. If not, the arms will snap when pressure is applied.



When packing unit in the bag, ensure that the strap is not partially wrapped around an arm. If it is, the arm will snap when pulled out of the bag.



When placing in a non-roller bag, ensure that arms are not outside of the bag.



Do not use the purple locking arm to lift unit. ALWAYS lift by the frame.