

# Hopup Dimension Kit 01

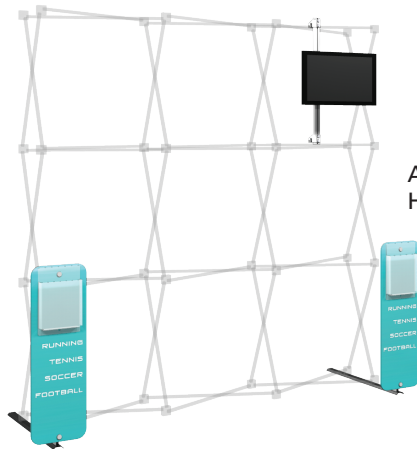
**DIMENSION KIT 01: HOP-DIM01-3X3FG-S**

**ACCESSORY 01: HOP-DIM01**

Hopup™ Backwall Dimensions add style, flare and funtion to any 7½' or 10' wide Hopup straight display. Easily accessorize your Hopup with monitor mounts, counters, tables, and more messaging real estate. Purchase as a complete kit or as an accessory for your existing straight Hopup. Dimensional elements can be placed in the middle, left or right sides of the display.



**DIMENSION KIT 01:  
HOP-DIM01-3X3FG-S**



**ACCESSORY 01:  
HOP-DIM01**

We are continually improving and modifying our product range and reserve the right to vary the specifications without prior notice. All dimensions and weights quoted are approximate and we accept no responsibility for variance. E&OE. See Graphic Templates for graphic bleed specifications.

## features and benefits:

### Dimension Kit 01 includes:

- 7½' wide full height straight backwall
- Two stand-off rigid graphic accents with literature holders
- Monitor\* mount
- Two lumina 200 lights

- **Accessory 01 includes:** two stand-off rigid graphic accents with literature holders and monitor mounts
- Monitor\* mount supports 23"; 30 lbs max
- Lifetime limited hardware warranty against manufacturer defects

## dimensions:

### Hardware:

Assembled unit:  
99"w x 91"h x 30.75"d  
2514.6mm(w) x 2311.4mm(h) x 781mm(d)

Stand-off rigid accessory (each):  
12"w x 37"h x 4.5"d  
305mm(w) x 940mm(h) x 114mm(d)

HOP-DIM01-3X3FG-S Weight: 46 lbs / 21 kgs

HOP-DIM01 Weight: 19 lbs / 8.62 kgs

Carry bag: 2 lbs / .9 kgs

### Shipping:

#### Shipping dimensions - ships in two boxes:

Dimension Kit 01: 36"l x 13"w x 12"h  
914mm(l) x 330mm(w) x 305mm(h)

#### Shipping dimensions - ships in one box:

Accessory 01: 40"l x 17.5"w x 6.625"h  
1016mm(l) x 144.5mm(w) x 168.3mm(h)

#### Shipping weight:

Dimension Kit 01 (boxes): 48 lbs / 21.7 kgs  
OCP2 upgrade: 77 lbs / 34.9 kgs

Accessory 01 (boxes): 21 lbs / 9.5 kgs

OCP2upgrade: 51 lbs / 23 kgs

### Graphics:

Total visual area:  
89.5"w x 89.5"h  
2273mm(w) x 2273mm(h)

Stand-off rigid graphics (each):  
11.811"w x 35.43"h  
300mm(w) x 900mm(h)

Please be sure to include a 2" bleed around perimeter

Refer to related graphic template for more information.

Visit [exhibitors-handbook.com/graphic-templates](http://exhibitors-handbook.com/graphic-templates)

## additional information:

Monitor\* mount supports 23" monitor, max weight = 30 lbs

\*Monitors not included

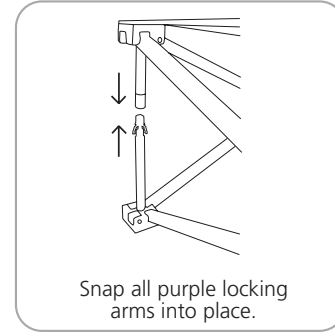
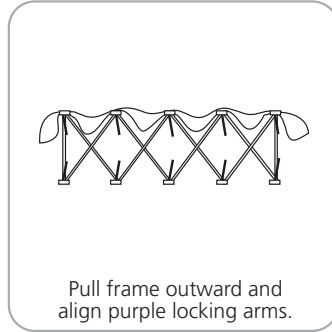
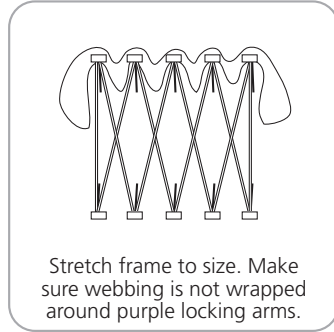
Accessory Kit HOP-DIM01 does not include backwall frame or lights

Distance between rigid graphic stand-off accessories is 75.5"

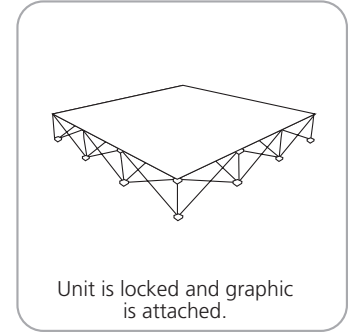
Distance between rigid graphic stand-off accessories and backwall is 7"

Single rigid graphic stand-offs:  
HOP-DIM-RIGID STAND OFF

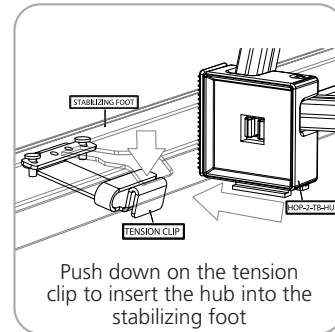
### STEP 1: ASSEMBLE FRAME



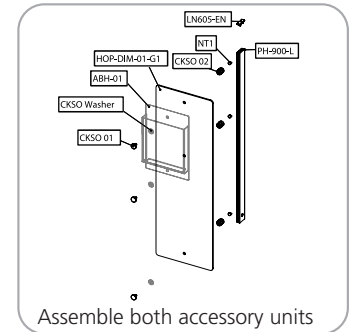
### STEP 2: ATTACH GRAPHIC



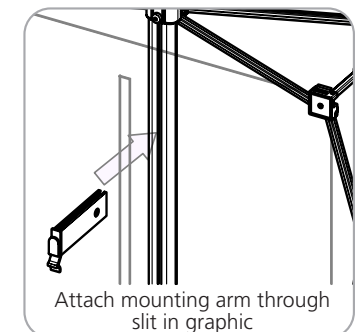
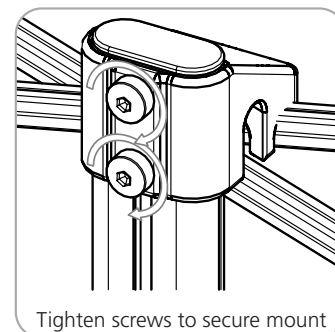
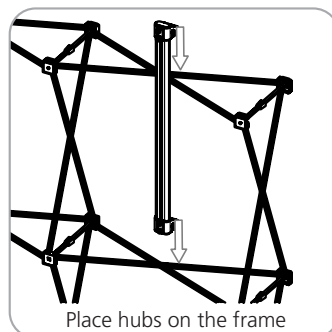
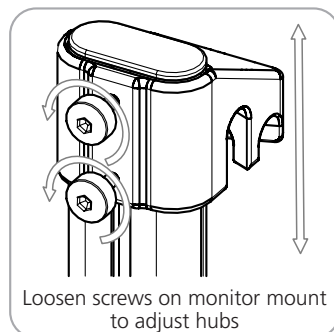
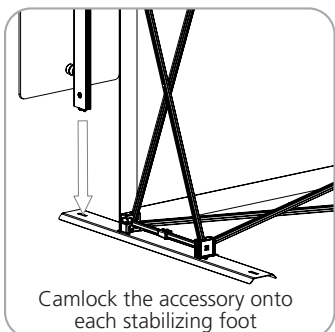
### STEP 3: ATTACH STABILIZER FEET

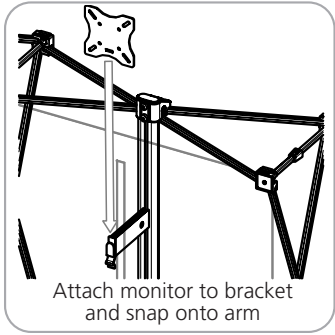


### STEP 4: ATTACH GRAPHIC ACCESSORY



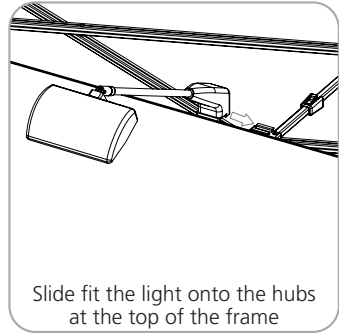
### STEP 5: ATTACH MONITOR-MOUNT





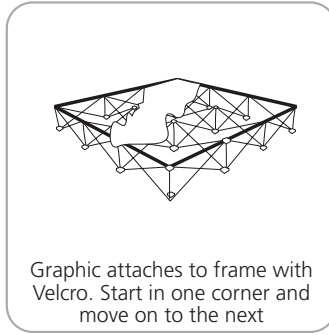
Attach monitor to bracket and snap onto arm

### STEP 6: ATTACH LIGHTS

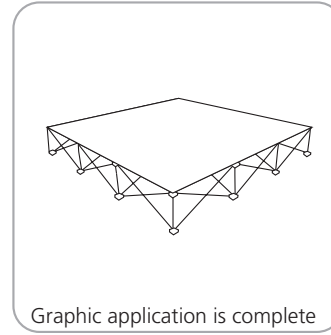


Slide fit the light onto the hubs at the top of the frame

### HOPUP GRAPHIC ATTACHMENT



Graphic attaches to frame with Velcro. Start in one corner and move on to the next

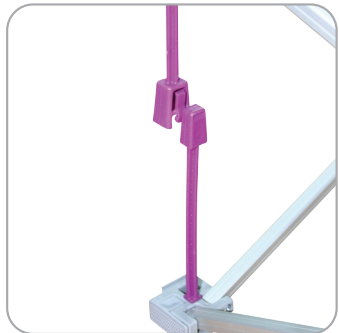


Graphic application is complete

### to ensure quality, please note:



If the webbing is wrapped around the purple locking arm, the arm can snap off when opening the unit.



When setting up, ensure that the arms are aligned. If not, the arms will snap when pressure is applied.



When packing unit in the bag, ensure that the strap is not partially wrapped around an arm. If it is, the arm will snap when pulled out of the bag.



When placing in a non-roller bag, ensure that arms are not outside of the bag.



Do not use the purple locking arm to lift unit. ALWAYS lift by the frame.