



Front View



Angle View

PRODUCT DESCRIPTION

Use Qseg for social distancing solutions for work environments as office partitions and cubicles. Help keep safe physical distance between employees and customers with today's health and safety regulations. By strategically placing our lightweight and portable walls.

Padded travel bags are included to keep your frames and graphics protected during transport and storage.

FEATURES

DISPLAY DIMENSIONS

- 39.5"W x 88.5"H x 10.25"D

GRAPHIC DIMENSIONS

- 41.5"W x 91"H

GRAPHIC MATERIAL

- Dye Sub Stretch Fabric

GRAPHIC FINISHING

- Silicone beading sewn onto edge of graphic

DISPLAY CONSTRUCTION

- 40mm aluminum extrusion frame with plastic components

WEIGHTS & DIMENSIONS (WITH STAND & GRAPHICS)

SHIPPING WEIGHT

- 16 lbs

PACKAGE DIMENSION

- 47.25"W x 4"H x 10.25"D

TURNAROUND TIME

GRAPHIC PACKAGE

- 2 business days after proof approval*

AVAILABILITY

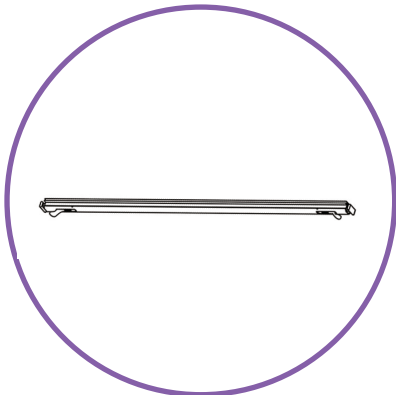
- WEST COAST FULFILLMENT CENTER

*After proof approval, for **up to 6 sets**. Reply with approval via e-mail by 4:00pm PT the day prior to the assigned ship date.

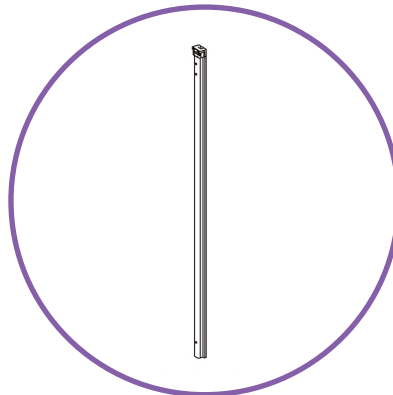




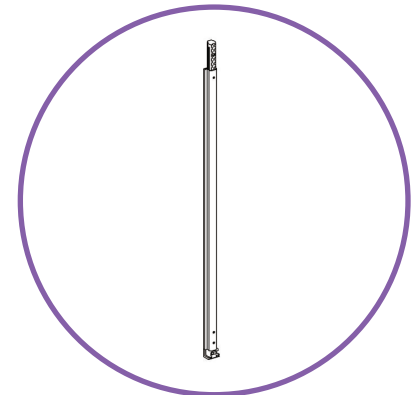
PARTS LIST



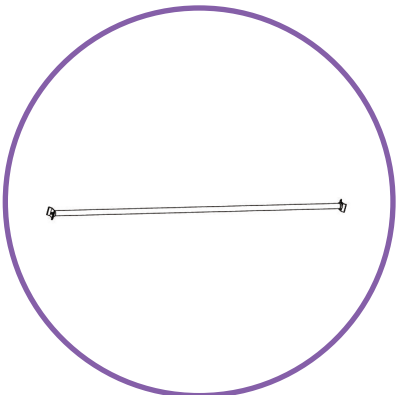
QTY 2:
Horizontal Profiles



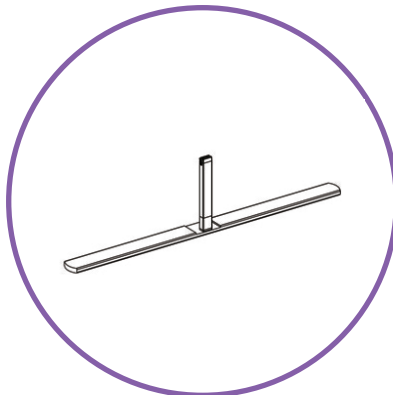
QTY 2:
Vertical Profile Top



QTY 2:
Vertical Profile Bottom



QTY 1:
Brace Rod



QTY 2:
Foot (Full)



QTY 1:
Travel Bag



CARE SHEET - DYE-SUB FABRIC

HANDLING TIPS

1. Wrinkles can be removed with cool iron or fabric steamer.
2. Fabric should NOT be stored when damp or wet. Store in cool, dry area.
3. For storing graphics please remove from plastic packaging that was provided and keep fabric in cool/dry place.

WASHING

1. Your fabric graphic CANNOT be machine washed. Remove any hardware attached to the fabric prior to cleaning. Spot clean using MILD soap and cool water. Air dry fabric, dry on frame if frame is available.
2. Fabric must be COMPLETELY dry prior to storing.
3. Do NOT dry clean

STAIN TREATMENT

1. Treat stain on fabric.
2. Remove as much debris as possible with a soft bristle brush (do NOT rub too hard).
3. Use a clean, lint-free white cloth. Lightly pat the stain from the outside moving in (to keep stain from spreading).
4. If a cleaning solution is used, rinse the area well with water to ensure NO solution is left on fabric.
5. Most stains can be treated with household fabric stain removers. It is ALWAYS important to test how the solution will react to the fabric. This can be tested by dabbing solution to a small corner of the fabric. Most household cleaners will provide treatment instructions depending on the type of stain.



- Wrinkles can be removed from fabric with a cool iron or steamer.



- Do NOT machine washed.



- Do NOT bleach fabric



- Do NOT tumble dry. Fabric must be air dried on the frame to prevent shrinking.