

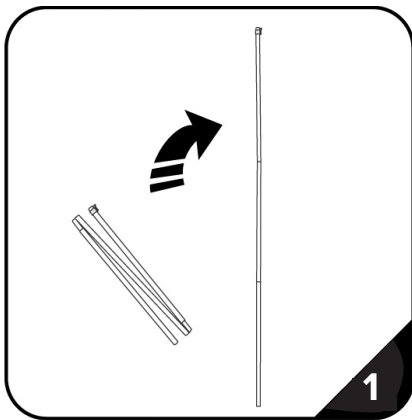


ROLL UP BANNERS

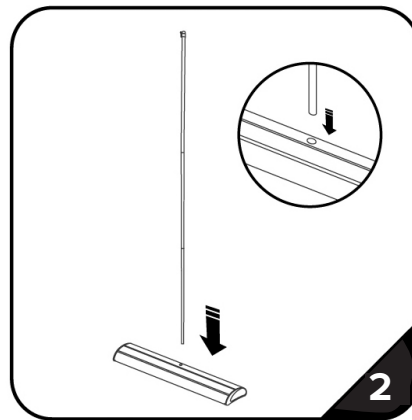
GLM SELECT - 33.5 IN. BETTER ROLL UP BANNER STAND

PRODUCT CODE: OC-STPY33.5X80SFLATG

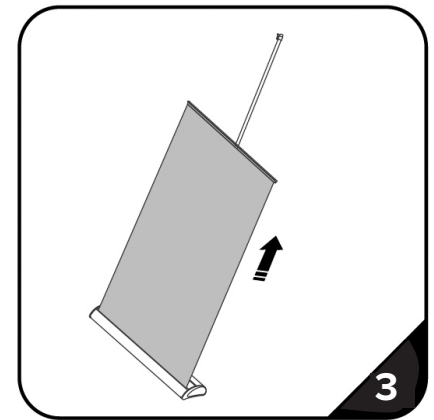
INSTRUCTIONS



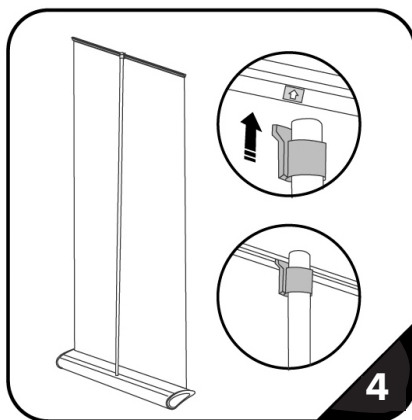
1
Unfold the pole and slip the pieces together to assemble.



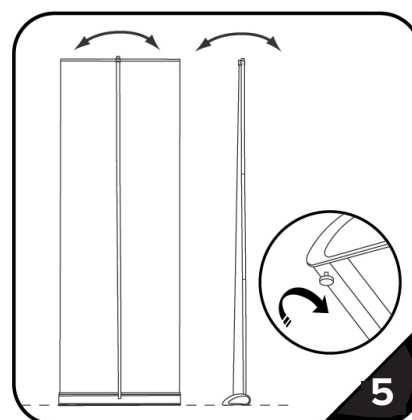
2
The bottom of the assembled pole slides into the round sockets in the centre of the base unit.



3
Unfurl the banner out of the base by tilting the unit backwards (this makes unraveling the graphic easier).



4
Attach support pole to rear slot of the clamp bar.



5
The unit can be leveled by adjusting the threaded feet at the bottom of the base unit.