



GLMDISPLAYS

# POP UP DISPLAYS

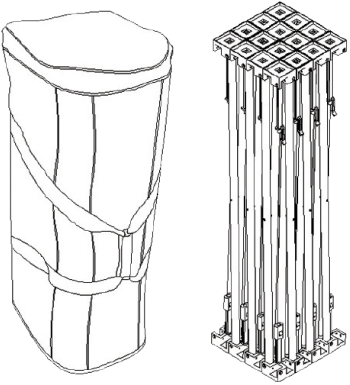
GLM SELECT - 10 FT. FABRIC POP UP DISPLAY (NO ENDCAPS)

PRODUCT CODE: OC-RPL4X3STRGNE1



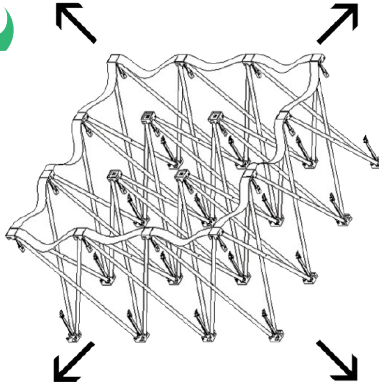
## INSTRUCTIONS

1



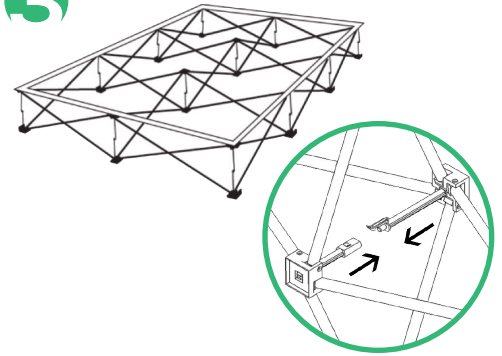
• Remove frame from bag.

2



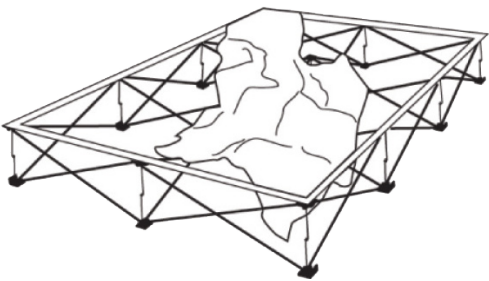
• Expand frame by pulling outward.

3



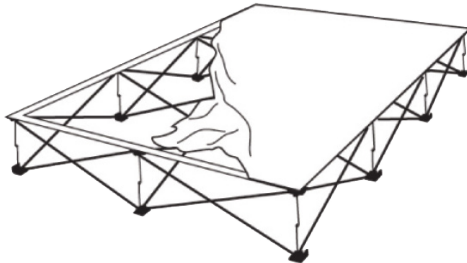
• Make sure hook strips are facing up. Push together all locks on frame to connect.

4



• Starting at one corner, attach loop on the graphic to hook on the frame.

5



• Attach the rest of the graphic by working your way around the frame. Make sure graphic is pulled taut while attaching the hook and loop.

6



• If needed, adjust graphic for maximum tautness. Complete installation.