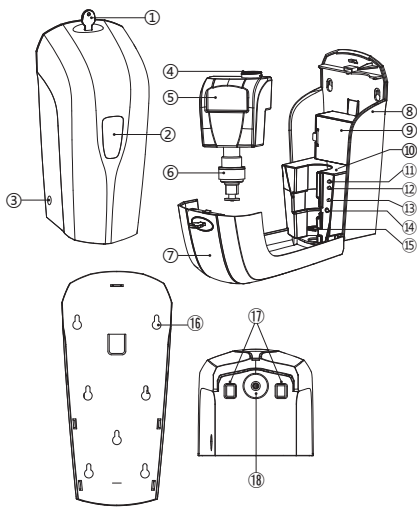


WAVELINE® Automatic Sanitizer Dispenser | User Guide

COMPONENT DESCRIPTION

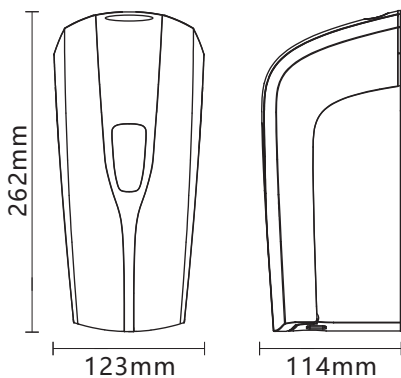


- ① Key
- ② Visible window
- ③ Adapter socket
- ④ Bottle cap
- ⑤ Bottle
- ⑥ Pump
- ⑦ Front cover
- ⑧ Bottom shell
- ⑨ Battery compartment
- ⑩ Internal unit
- ⑪ Once button
- ⑫ Twice button
- ⑬ ON/OFF
- ⑭ LED indicator
- ⑮ U-shape part
- ⑯ Screw
- ⑰ Hanging Sensor light
- ⑱ Outlet

SPECIFICATIONS

INDUCTION WAY:	Infrared Reflection
INDUCTION DISTANCE:	3 cm to 10 cm Estimated
MATERIAL:	ABS, PP
CAPACITY:	1000ml
DISPENSE METHOD:	Mist Spray
REFILLABLE LIQUID:	Special Hand Sanitizing Liquid (or medical disinfection alcohol, 75% alcohol content)
DOSE:	♂ 0.4ml ♂ 0.8ml
BATTERY:	8 Aa Alkaline Batteries

PRODUCT SIZE

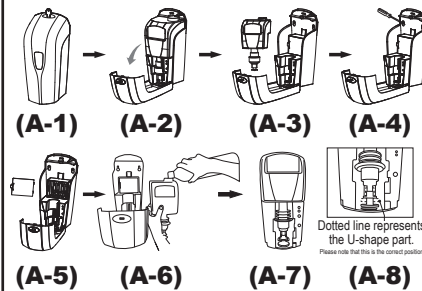


CAUTION

- ⊘ Do not expose to sunlight to avoid product deformation
- ⊘ Do not use the dispenser violently, it will damage the product
- ⚠ Remove the battery and pour out liquid when not used for a long time
- ⚠ Please clean the product regularly
- ⊘ Do not drop or hit the product on purpose
- ⊘ Do not rinse with water, it will damage the product
- ⊘ Do not use strong corrosive chemical solvents to clean the product, which will damage and deform the product surface
- ⊘ Do not allow dust to enter the sanitizer bottle
The pump may be blocked. If you find that the inside of the bottle is dirty, please replace the liquid sanitizer and clean the pump
- ⊘ Never dismantle, repair, modify, etc. without permission
Can cause product failure
For repairs, please consult our customer service.
- ⊘ Do not pour corrosive chemicals, etc.
- ⚠ Keep away from fire

SANITIZER INSTALLATION

Make sure to avoid getting the dispenser wet.



Insert the key into the corresponding hole of dispenser. (A-1)
Press down on key hole and swinging cover down. (A-2)

Remove bottle. (A-3)

According to the screw hole position on the bottom shell, use a pen to mark, fix screws and then hang dispenser. (A-4)

Open the battery compartment cover and insert 8 AA alkaline batteries correctly. (A-5)

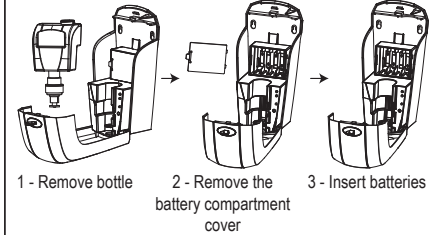
Pour liquid into the bottle
(Must remove bottle to add liquid). (A-6)

Put the bottle into the dispenser vertically and parallel. (A-7)

Pump head needs to be locked in the correct position of the U-shape part. (A-8)

BATTERY INSTALLATION

Remove the bottle, open battery compartment and insert 8 AA alkaline batteries.



INSTRUCTIONS FOR USE

When the dispenser is receiving power, the LED will flash GREEN and RED to let you know it is functioning. When in standby, the LED will flash GREEN every five seconds.

Open front cover and press ON / OFF to turn the dispenser on or off. (ON: the LED will flash GREEN | OFF: the LED will flash RED).

Press the ♂ button, the LED will flash GREEN once to indicate that the signal is received, the LED will be in GREEN and the dispenser will discharge one dose when you trip the sensors.

Press the ♂♂ button, the LED will flash GREEN twice to indicate that the signal is received, the LED will be in GREEN and the dispenser will discharge two doses when you trip the sensors.

When used for the first time, trip the sensors underneath with the hand 5-8 times. The liquid can be discharged normally after the air is expelled.

The sanitizer dispenser will not work when the cover is open. Please close the front cover after adjusting the liquid discharge position.

LED

When the dispenser is powered on or the dose is adjusted, LED will flash GREEN 1 or 2 times continuously.

The LED will flash GREEN every five seconds when in standby.

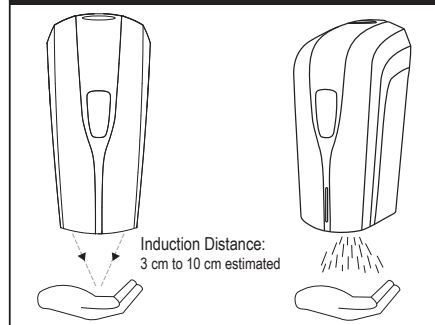
The GREEN LED will light up when the dispenser is discharging doses.

The LED will flash RED when battery is in low power; The LED will flash RED and GREEN at the same time when battery is in deep low power.

The LED will flash GREEN and RED alternately when the dispenser senses abnormalities, such as: clogging, power exhaustion, no liquid discharge, etc. Once the abnormality is eliminated, shut down and restart to return to normal function.

The LED will flash GREEN continuously when there is an obstruction below the dispenser, remove the obstacle to return normal function.

USAGE EXAMPLE



WARRANTY INFORMATION

We ensure our sanitizer dispensers meet safety standards and technical requirements, under normal use and maintenance.

One year limited warranty for manufacturer defects in materials and workmanship, subject to normal use and proper maintenance as per instructions.

Warranty becomes voided if:

- Damage caused by incorrect use
- Damage caused by incorrect installation
- Damage caused by modification

Do not expose the product to moisture or water.

Please Read User Guide Carefully Before Using