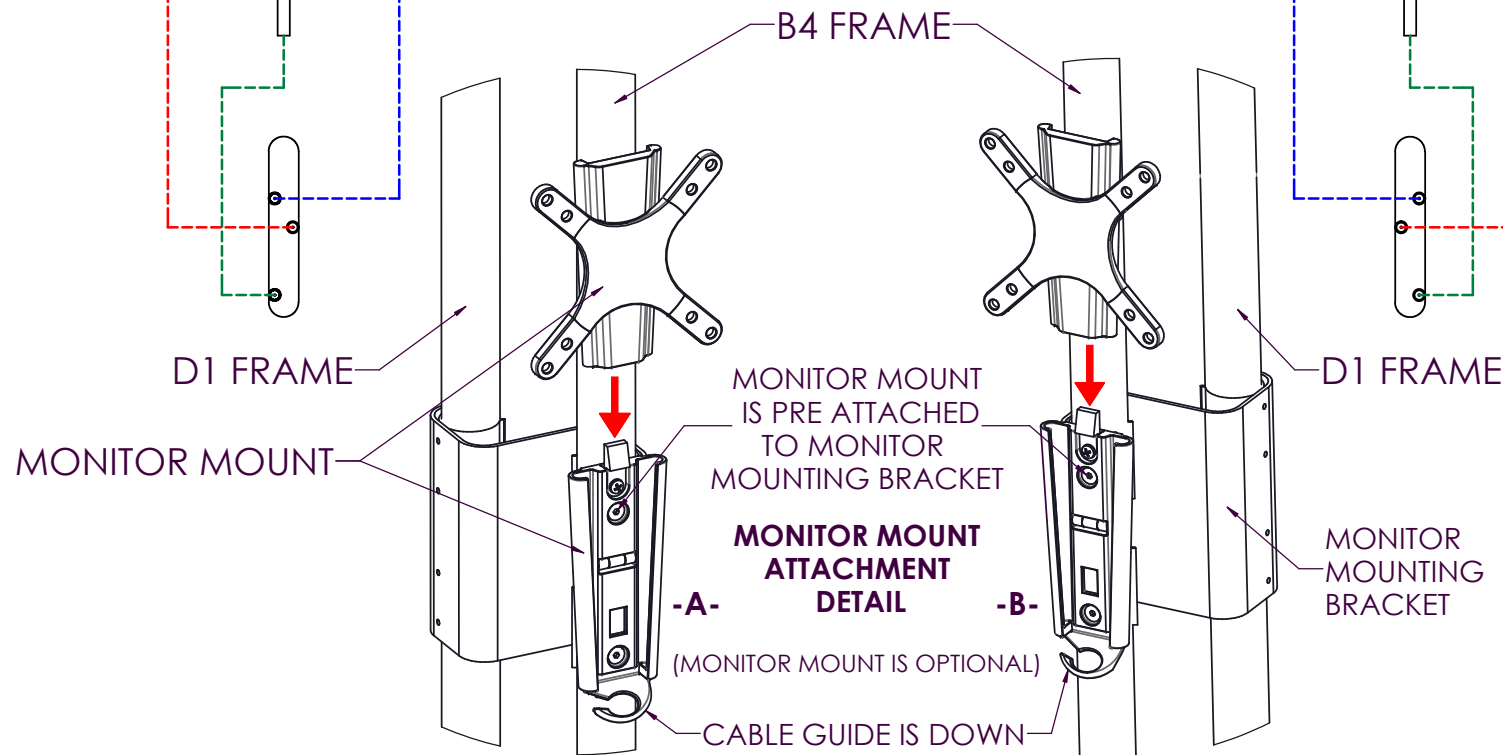
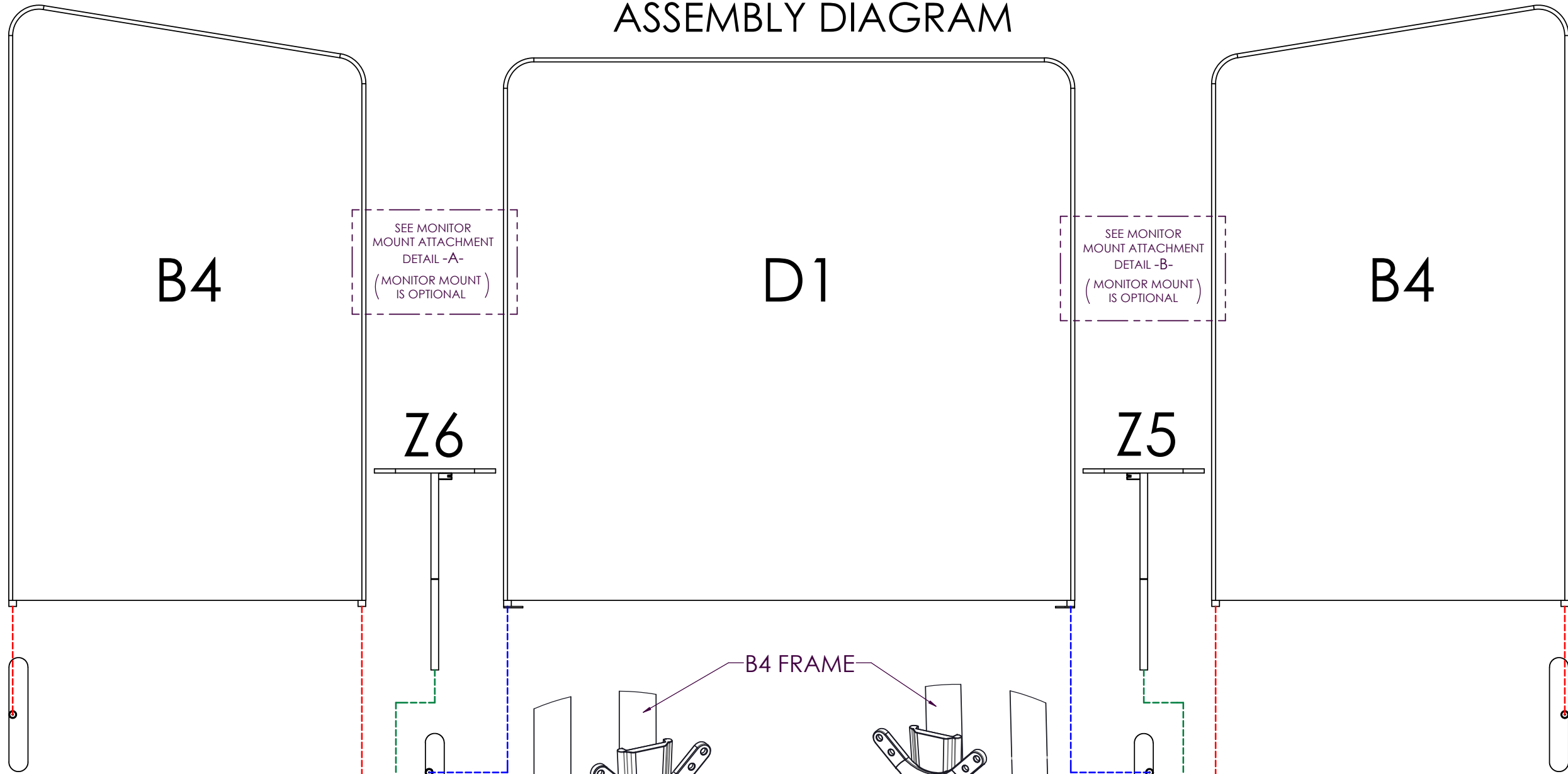


# WTMB4D1B4 - ENSEMBLE KIT ASSEMBLY DIAGRAM



SEE MONITOR  
MOUNT ATTACHMENT  
DETAIL -A-  
(MONITOR MOUNT  
IS OPTIONAL)

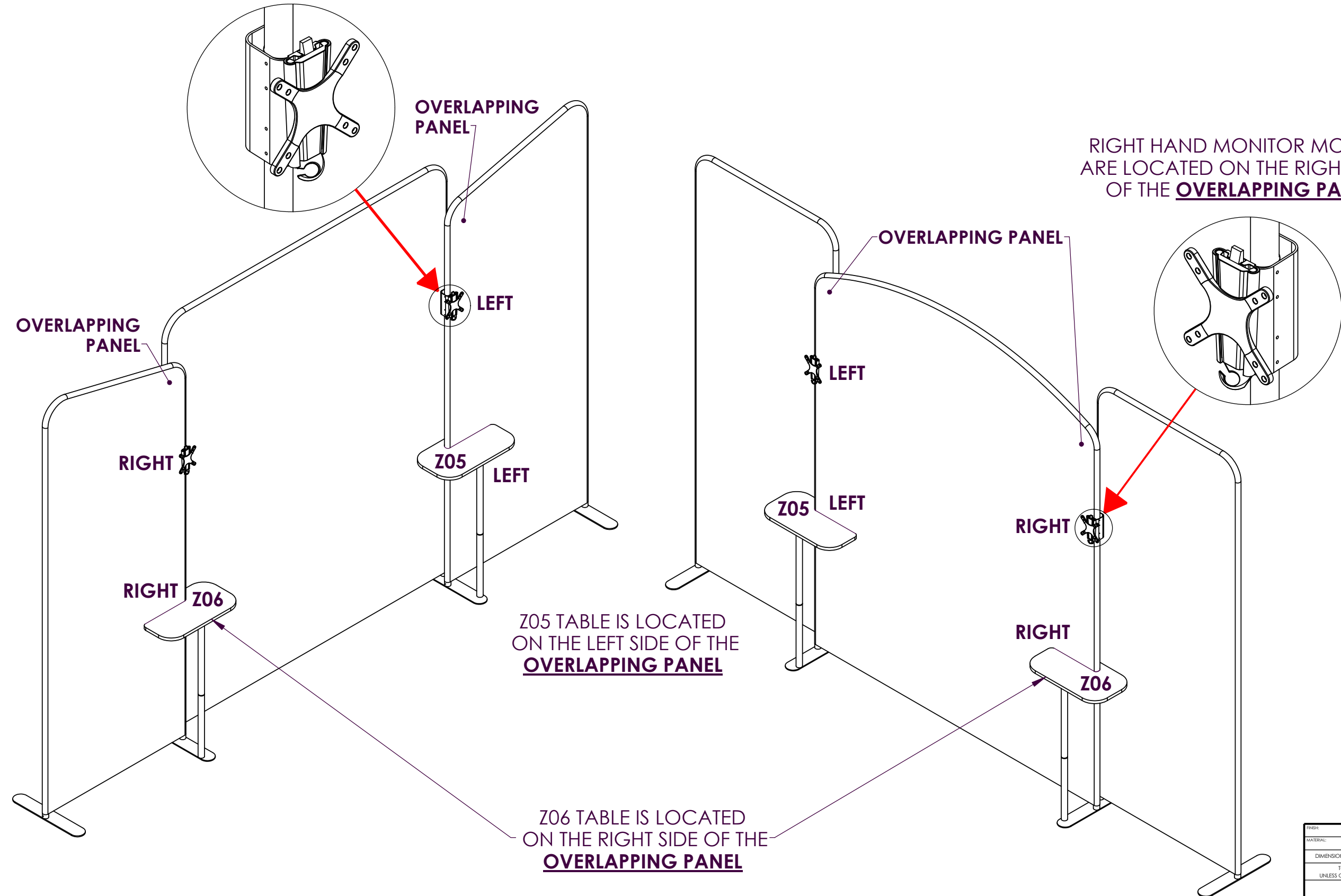
SEE MONITOR  
MOUNT ATTACHMENT  
DETAIL -B-  
(MONITOR MOUNT  
IS OPTIONAL)

FINISH:	THIRD ANGLE PROJECTION	PROPERTY
MATERIAL:		THIS DOCUMENT AND DATA DISCLOSED HEREIN OR HEREWITH IS NOT TO BE REPRODUCED, USED, OR DISCLOSED IN WHOLE OR IN PART TO ANYONE WITHOUT PERMISSION OF NIEDO GROUP, INC.
DIMENSIONS ARE IN MILLIMETERS		<b>NIEDO GROUP, INC.</b> 5465 SW WESTERN AVE. BEAVERTON, OR 97005
TOLERANCES UNLESS OTHERWISE SPECIFIED		TITLE
		<b>WAVE TUBE MODULAR B4D1B4 ENSEMBLE, ASSEMBLY</b>
SCALE: 1:50	DO NOT SCALE DRAWING	SHEET 1 OF 1
		REV 01

LEFT HAND MONITOR MOUNTS ARE LOCATED ON THE LEFT SIDE OF THE OVERLAPPING PANEL

### HOW TO DETERMINE IF YOU NEED A LEFT OR RIGHT SIDE MONITOR MOUNT OR TABLE

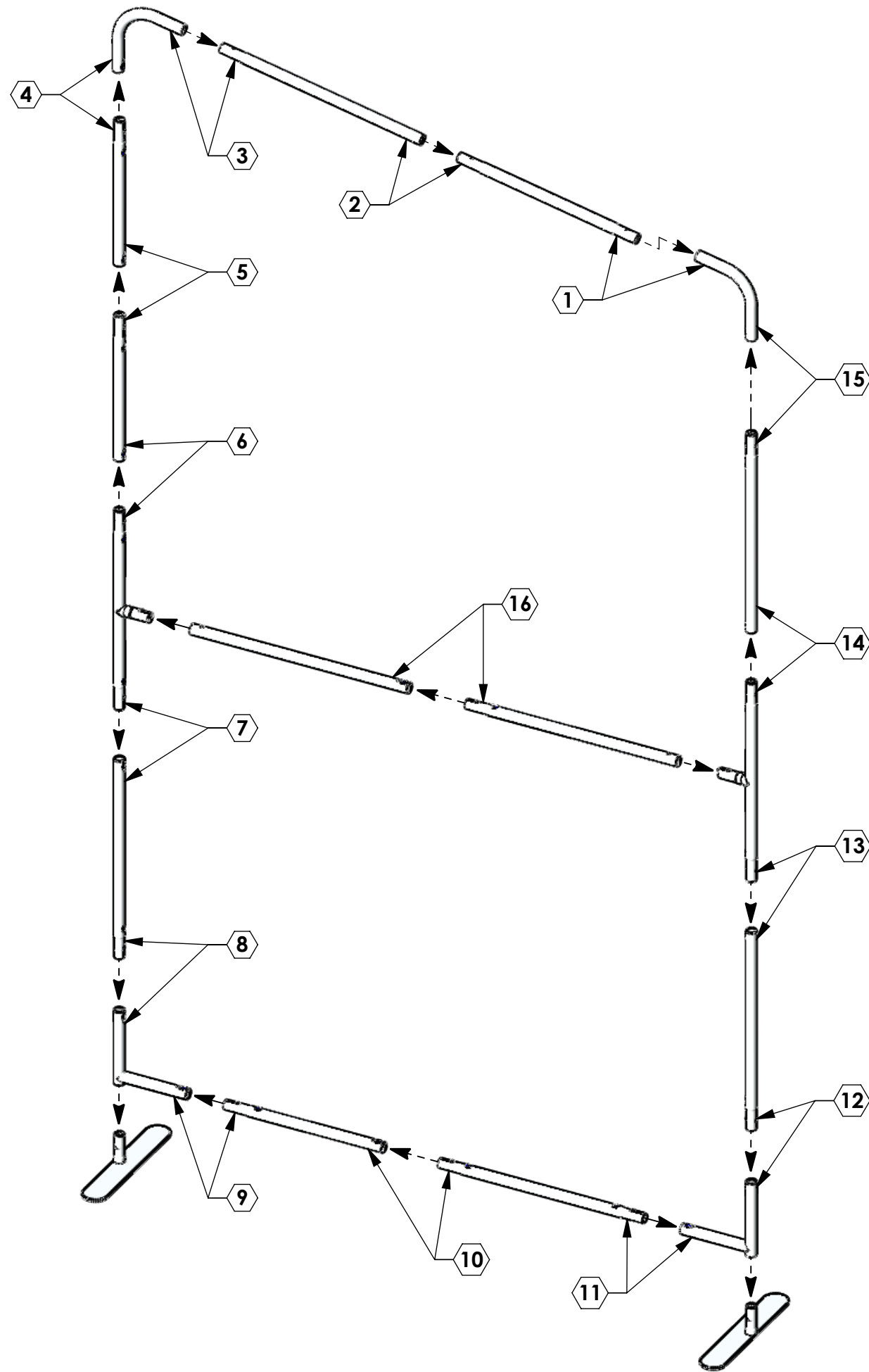
RIGHT HAND MONITOR MOUNTS ARE LOCATED ON THE RIGHT SIDE OF THE OVERLAPPING PANEL



Z05 TABLE IS LOCATED ON THE LEFT SIDE OF THE OVERLAPPING PANEL

Z06 TABLE IS LOCATED ON THE RIGHT SIDE OF THE OVERLAPPING PANEL

FINISH:	THIRD ANGLE PROJECTION	PROPERTY: THIS DOCUMENT AND DATA DISCLOSED HEREIN OR HEREWITH IS NOT TO BE REPRODUCED, USED, OR DISCLOSED IN WHOLE OR IN PART TO ANYONE WITHOUT PERMISSION OF NIEDO GROUP, INC.
MATERIAL:		
DIMENSIONS ARE IN MILLIMETERS	NIEDO GROUP, INC. 5465 SW WESTERN AVE. BEAVERTON, OR 97005	
TOLERANCES UNLESS OTHERWISE SPECIFIED	TITLE: WAVE TUBE MODULAR MONITOR MOUNT & TABLE DETAIL ENSEMBLE, ASSEMBLY	
SIZE: B	DWG. NO.: Generic Top View	REV: 03
SCALE: 1:50	DO NOT SCALE DRAWING	SHEET 1 OF 1



REVISIONS			
REV	DESCRIPTION	ENGINEER	DATE
AA	INITIAL RELEASE	D. OWENS	01/07/18

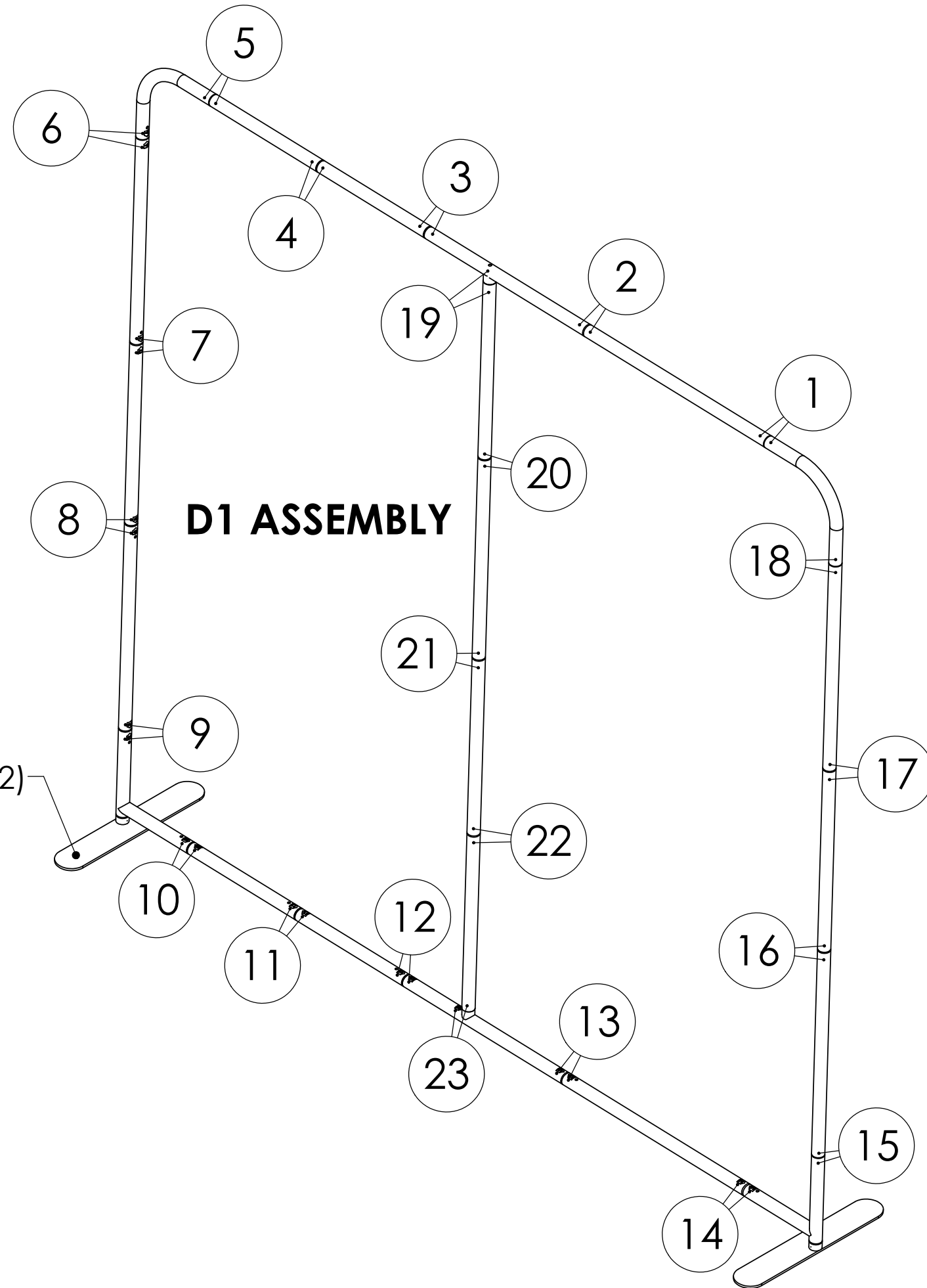
**NOTES: UNLESS OTHERWISE SPECIFIED:**

1. ASSEMBLY TIME: 1 HOUR WITH 1 PERSON.
2. NUMBERED HEXAGONS MATCH THE NUMBERED LABELS ON EACH PART DURING ASSEMBLY.
3. FEET STYLE MAY VARY.

FINISH:		THIRD ANGLE PROJECTION		- PROPRIETARY - THIS DOCUMENT AND DATA DISCLOSED HEREIN OR HEREWITH IS NOT TO BE REPRODUCED, USED, OR DISCLOSED IN WHOLE OR IN PART TO ANYONE WITHOUT PERMISSION OF NIEDO GROUP, INC.	
MATERIAL: SEE B.O.M.		DIMENSIONS ARE IN MILLIMETERS		<b>NIEDO GROUP, INC.</b> 5465 SW WESTERN AVE. BEAVERTON, OR 97005	
TOLERANCES UNLESS OTHERWISE SPECIFIED		<b>TITLE</b> <b>WAVE TABLE - BILL OF MATERIALS AND ASSEMBLY INSTRUCTIONS</b>			
SIZE	DWG. NO.	REV			
<b>B</b>	<b>WTM-B4</b>	<b>AA</b>			
SCALE: 1:14	DO NOT SCALE DRAWING	SHEET 1 OF 2			

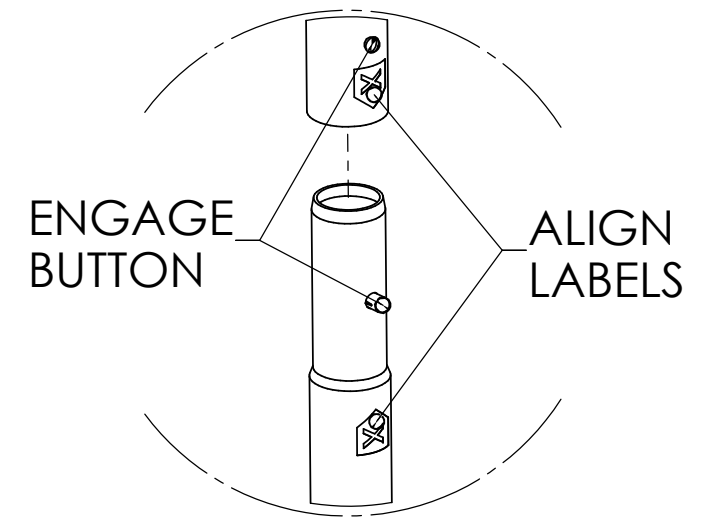
8 7 6 5 4 3 2 1

D  
C  
B  
A



### D1 ASSEMBLY

FOOT ASSEMBLY (2)



### GENERAL TUBE ASSEMBLY

- NOTES: UNLESS OTHERWISE SPECIFIED**
- 1. MATCH NUMBERED LABELS AS SHOWN.**
  - 2. FEET STYLE MAY VARY.**

FINISH:	THIRD ANGLE PROJECTION	PROPERTY: THIS DOCUMENT AND DATA DISCLOSED HEREIN OR HEREWITH IS NOT TO BE REPRODUCED, USED, OR DISCLOSED IN WHOLE OR IN PART TO ANYONE WITHOUT PERMISSION OF NIEDO GROUP, INC.
MATERIAL:		
DIMENSIONS ARE IN MILLIMETERS	NIEDO GROUP, INC. 5465 SW WESTERN AVE. BEAVERTON, OR 97005	
TOLERANCES UNLESS OTHERWISE SPECIFIED	TITLE: <b>WAVE TUBE MODULAR WTM D1 ASSEMBLY INSTRUCTIONS</b>	
SIZE: <b>B</b>	DWG. NO.:	REV:
SCALE: 1:12	DO NOT SCALE DRAWING	SHEET 1 OF 1

8 7 6 5 4 3 2 1

8

7

6

5

4

3

2

1

D

D

C

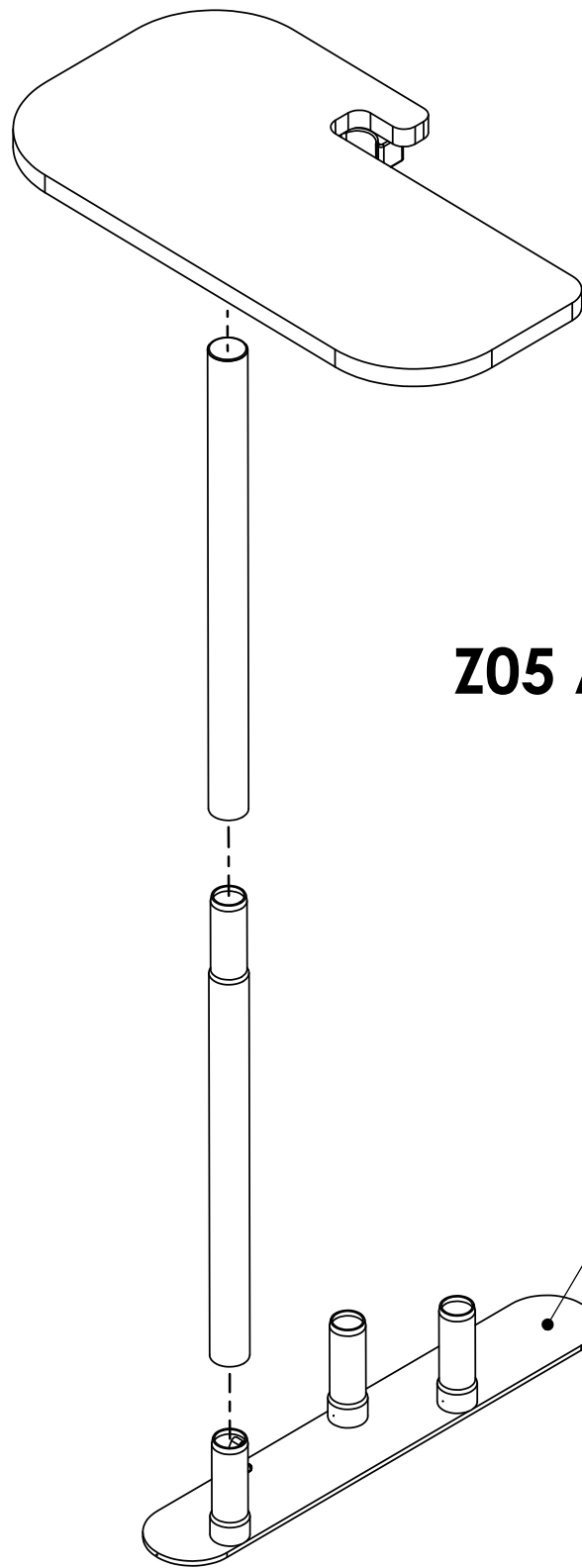
C

B

B

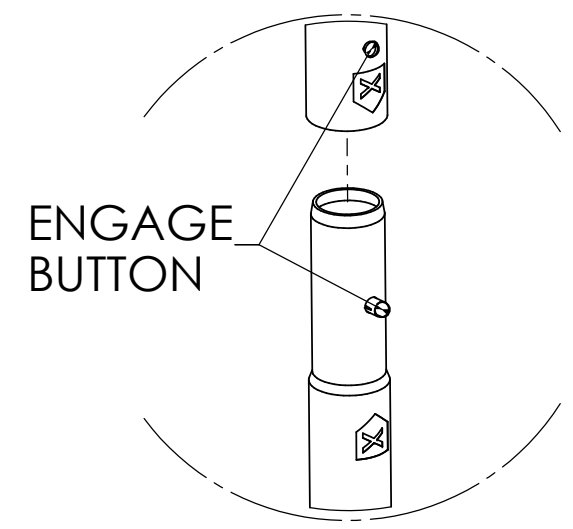
A

A



**Z05 ASSEMBLY**

FOOT ASSEMBLY



ENGAGE  
BUTTON

**GENERAL TUBE ASSEMBLY**

FINISH:	THIRD ANGLE PROJECTION	PROPERTY
MATERIAL:		THIS DOCUMENT AND DATA DISCLOSED HEREIN OR HEREWITH IS NOT TO BE REPRODUCED, USED, OR DISCLOSED IN WHOLE OR IN PART TO ANYONE WITHOUT PERMISSION OF NIEDO GROUP, INC.
DIMENSIONS ARE IN MILLIMETERS		<b>NIEDO GROUP, INC.</b> 5465 SW WESTERN AVE. BEAVERTON, OR 97005
TOLERANCES UNLESS OTHERWISE SPECIFIED	TITLE <b>WAVE TUBE MODULAR WTM Z05 ASSEMBLY INSTRUCTIONS</b>	
SIZE <b>B</b>	DWG. NO.	REV.
SCALE: 1:8	DO NOT SCALE DRAWING	SHEET 1 OF 1

8

7

6

5

4

3

2

1

8

7

6

5

4

3

2

1

D

D

C

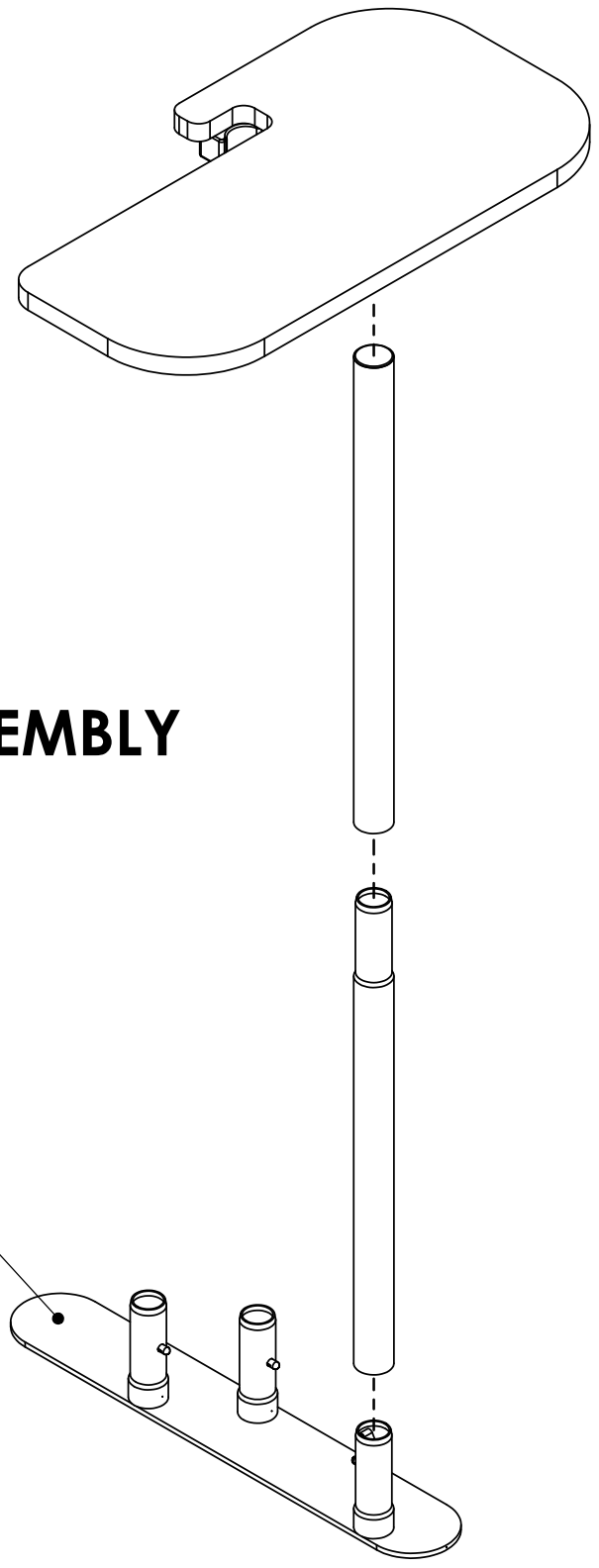
C

B

B

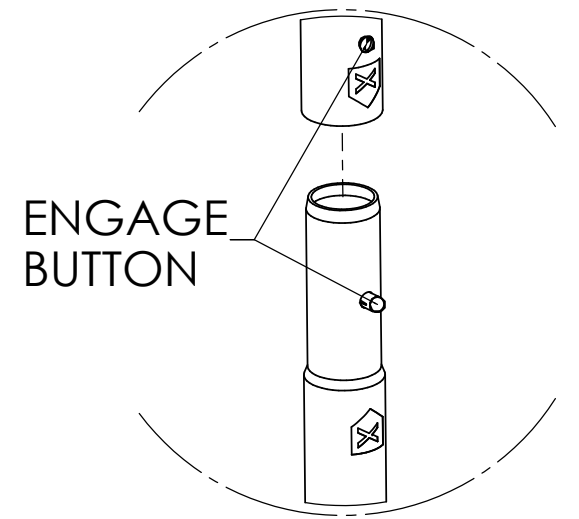
A

A




### Z06 ASSEMBLY

FOOT ASSEMBLY



ENGAGE  
BUTTON

### GENERAL TUBE ASSEMBLY

FINISH:	THIRD ANGLE PROJECTION	PROPERTY
MATERIAL:		THIS DOCUMENT AND DATA DISCLOSED HEREIN OR HEREWITH IS NOT TO BE REPRODUCED, USED, OR DISCLOSED IN WHOLE OR IN PART TO ANYONE WITHOUT PERMISSION OF NIEDO GROUP, INC.
DIMENSIONS ARE IN MILLIMETERS	 <b>NIEDO GROUP, INC.</b> 5465 SW WESTERN AVE. BEAVERTON, OR 97005	
TOLERANCES UNLESS OTHERWISE SPECIFIED	<b>WAVE TUBE MODULAR</b> <b>WTM Z06 ASSEMBLY INSTRUCTIONS</b>	
SIZE <b>B</b>	DWG. NO.	REV.
SCALE: 1:8	DO NOT SCALE DRAWING	SHEET 1 OF 1

8

7

6

5

4

3

2

1